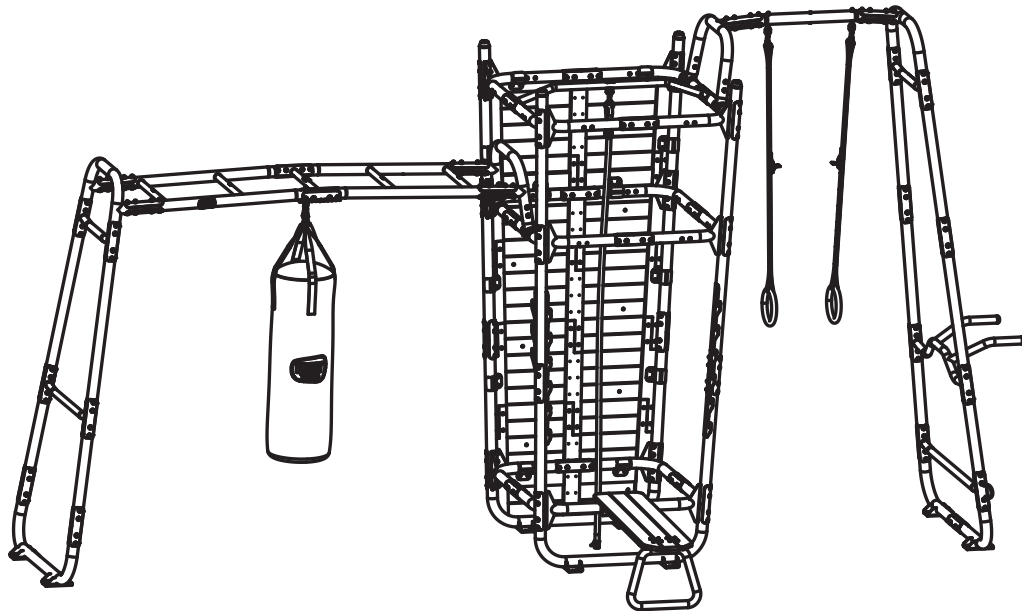




GetSet

EXIT GetSet PS620



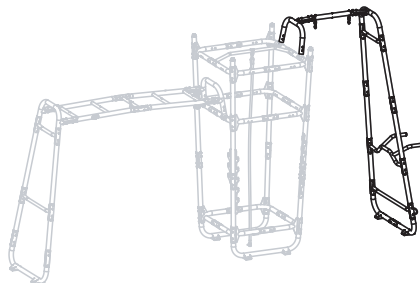
 **WARNING**
CHOKING HAZARD
small parts
Adult assembly required
retain for future reference



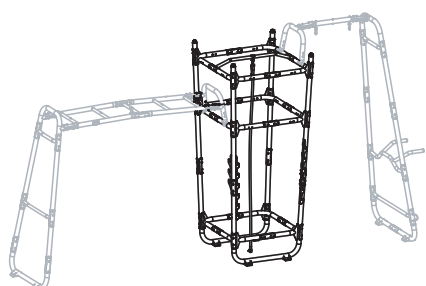
02



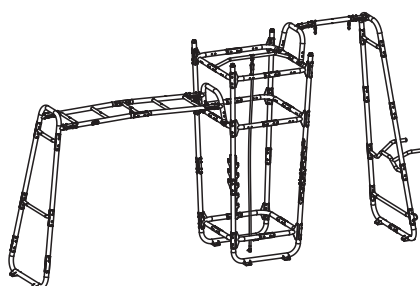
48



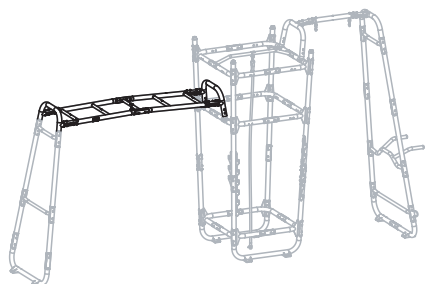
10



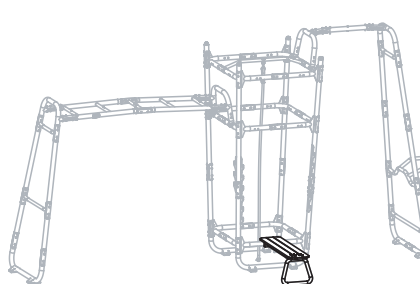
62



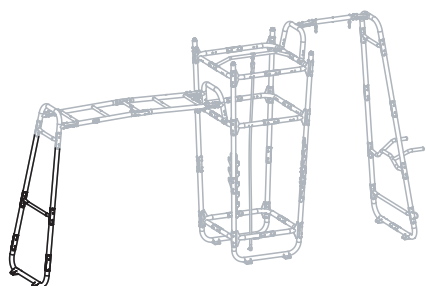
32



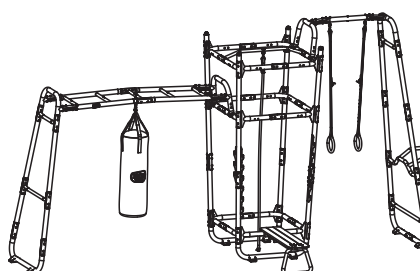
68



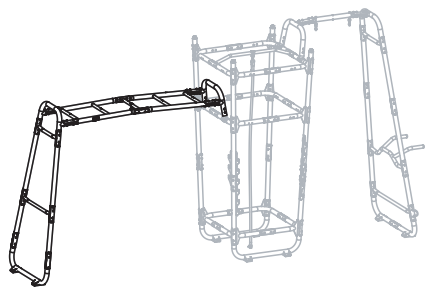
38



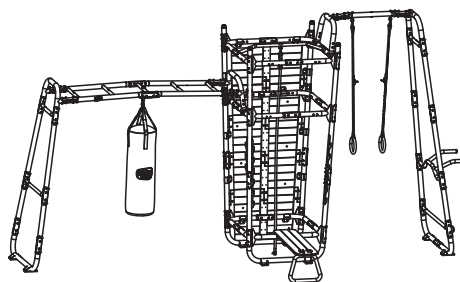
72

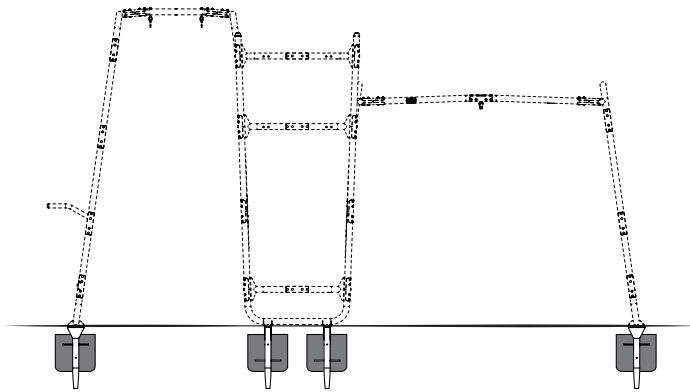


44

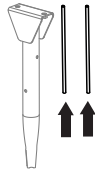


76



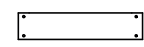


- 1**



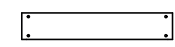
61.80.30.20 8X

2

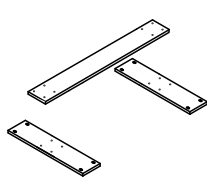


61.82.50.50 1X

3

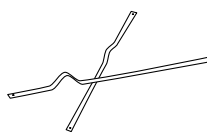


61.86.50.50 1X
- 4**



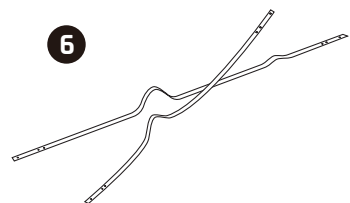
61.85.50.50 1X

5

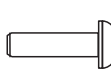


61.86.50.60 1X

6




61.85.50.60 1X
- 7**



M8x30mm

M8x30mm 8X


8



M8x10mm

M8x10mm 8X

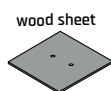
9



M8

M8 8X


63.85.40.40 1X
- 10**



wood sheet
30x30cm

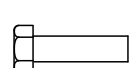
1X

11



Ø37*Ø13*3.0 16X


12



M12x45mm

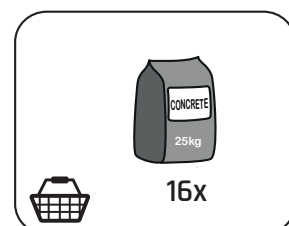
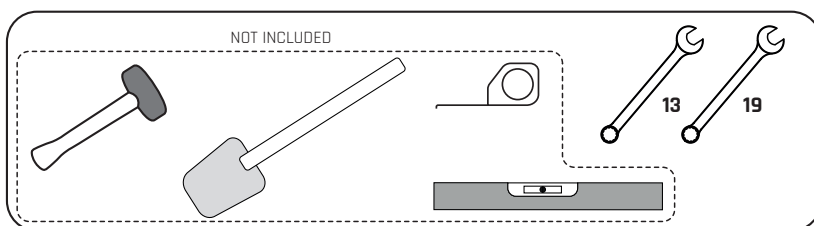
M12x45mm 16X

13

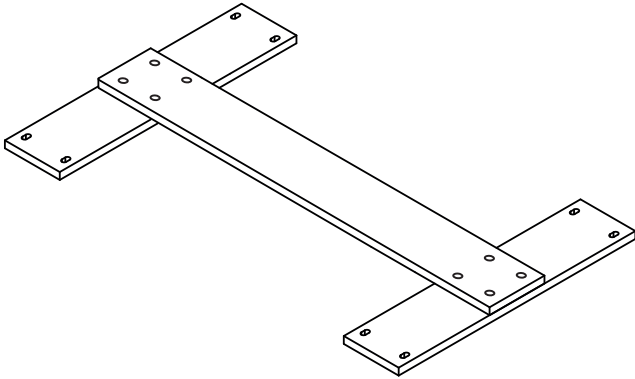
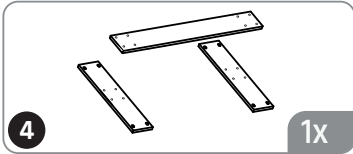
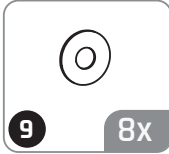
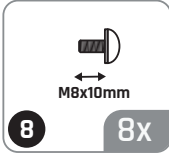
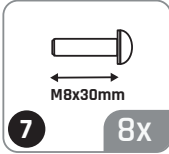
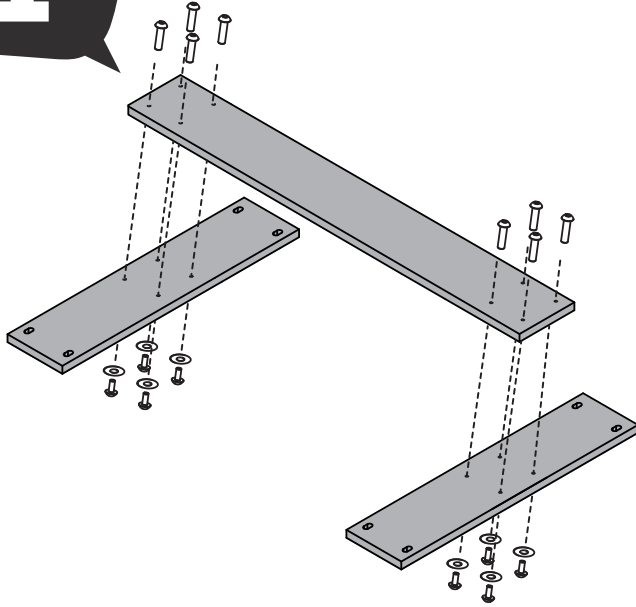


Ø13 16X

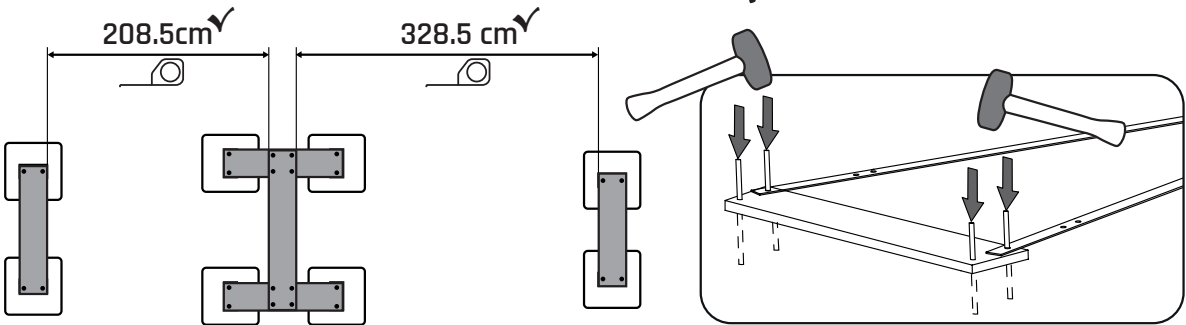
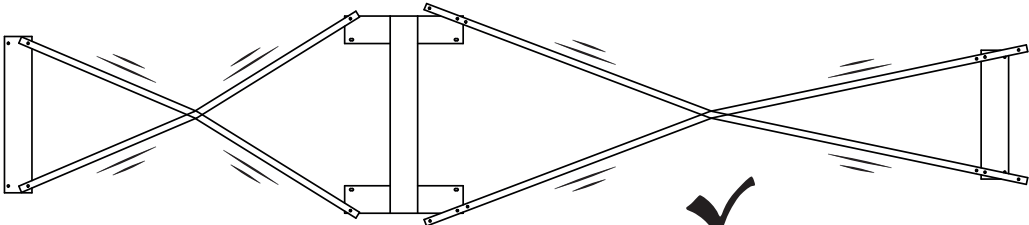
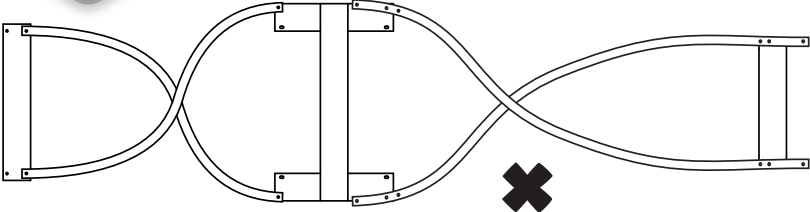
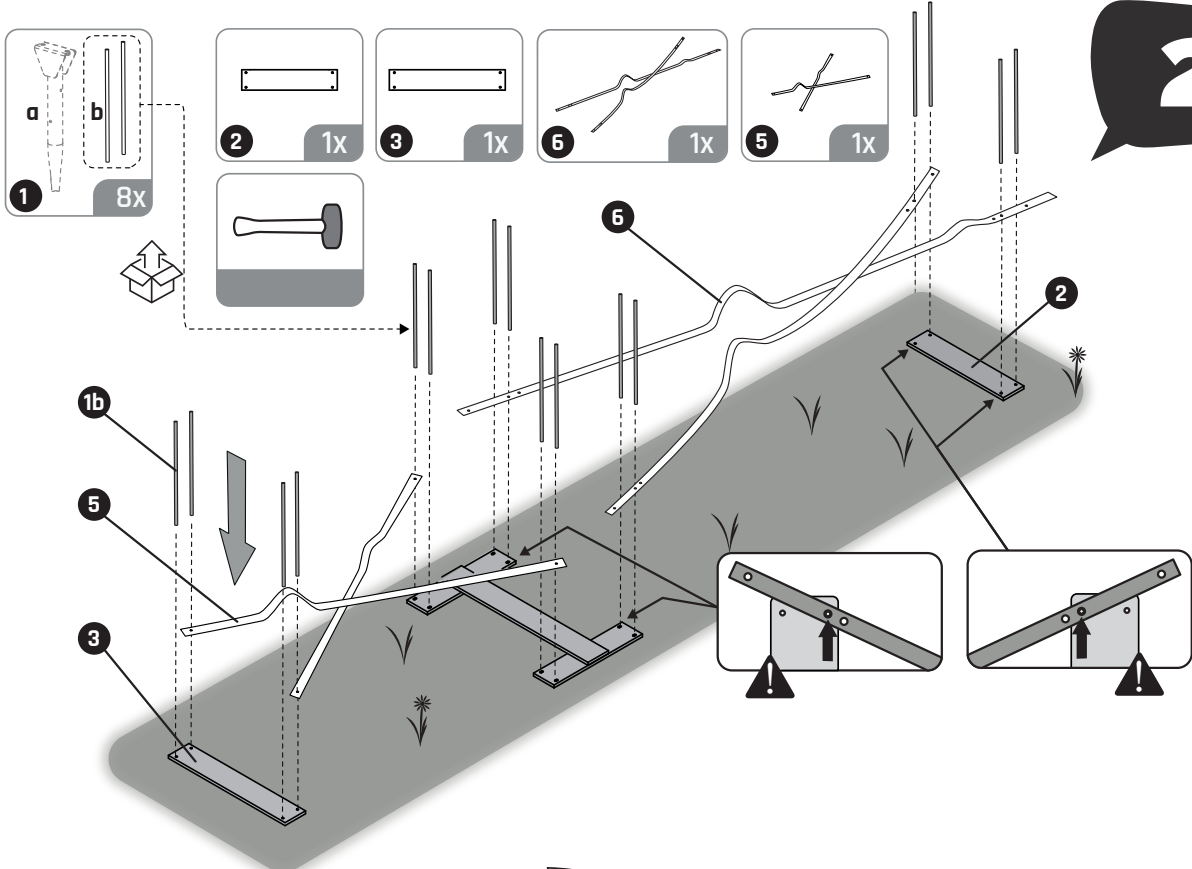
61.82.40.20 4X



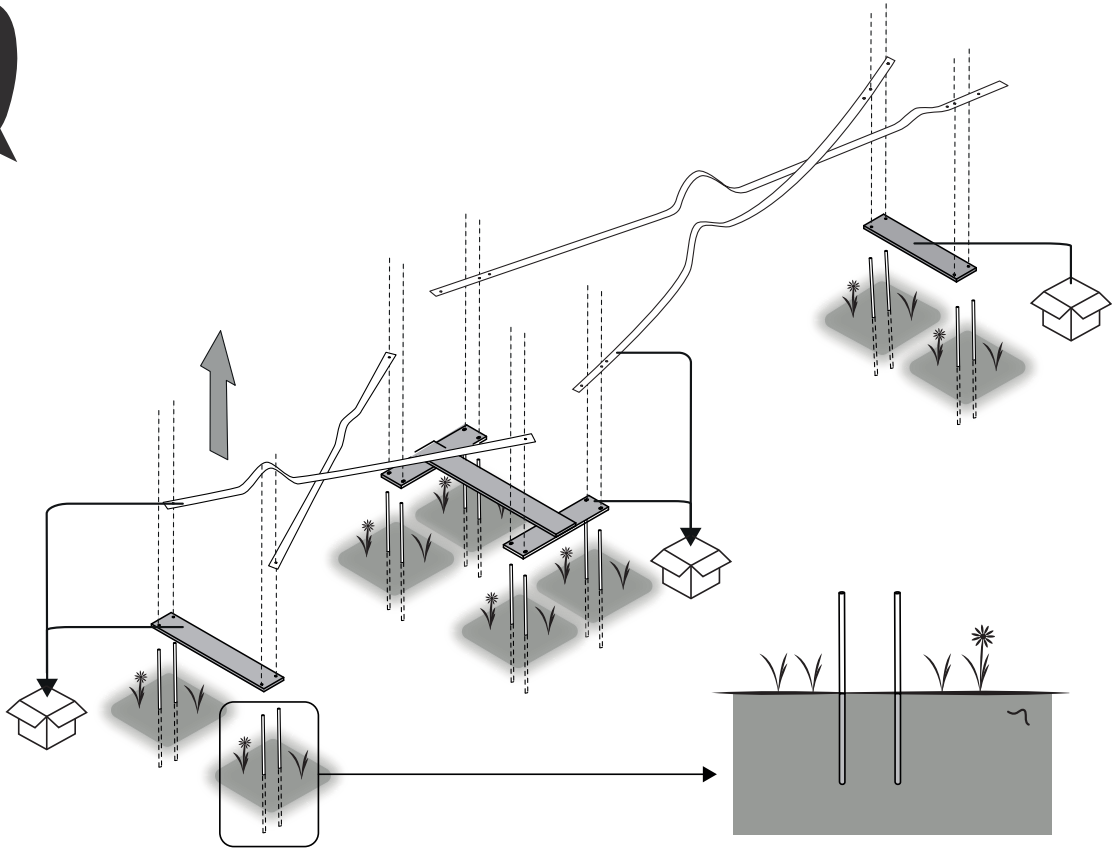
1



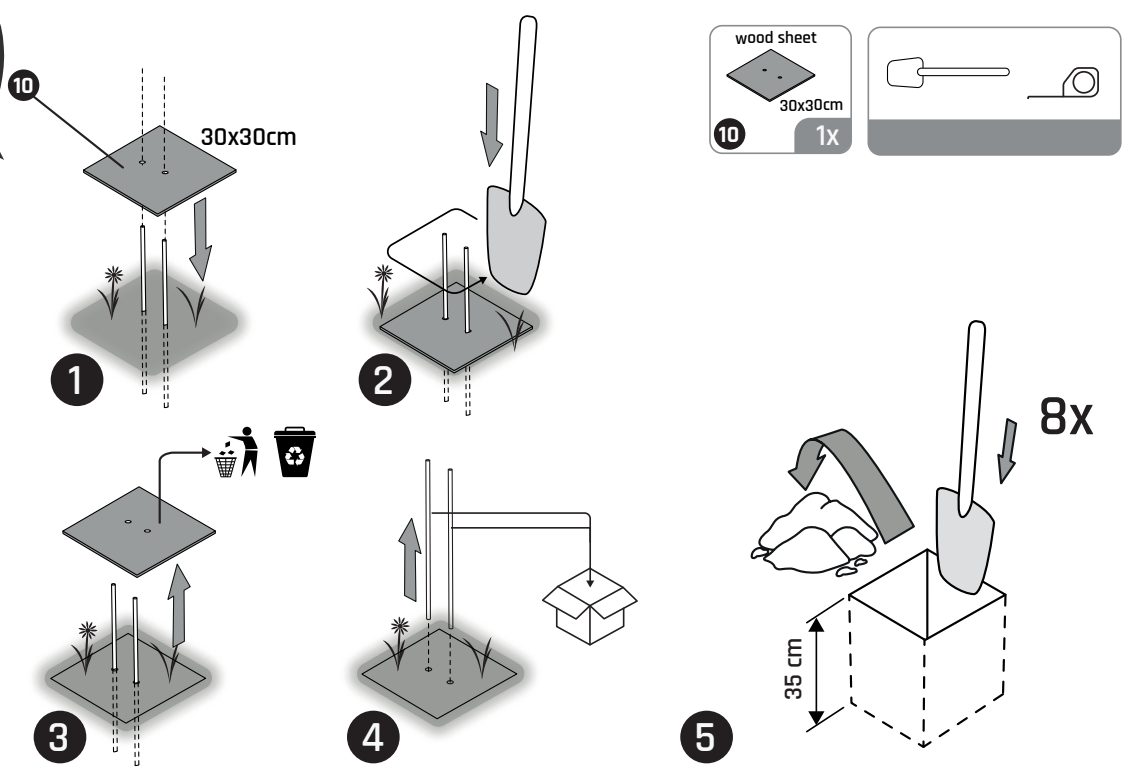
2

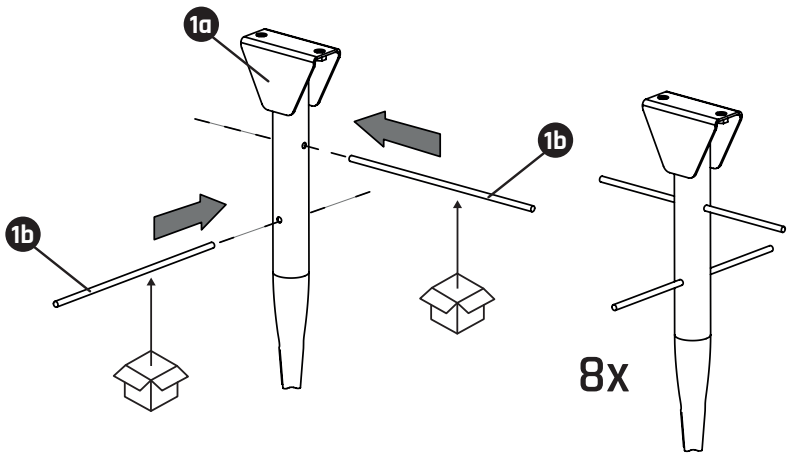
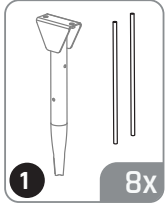


3

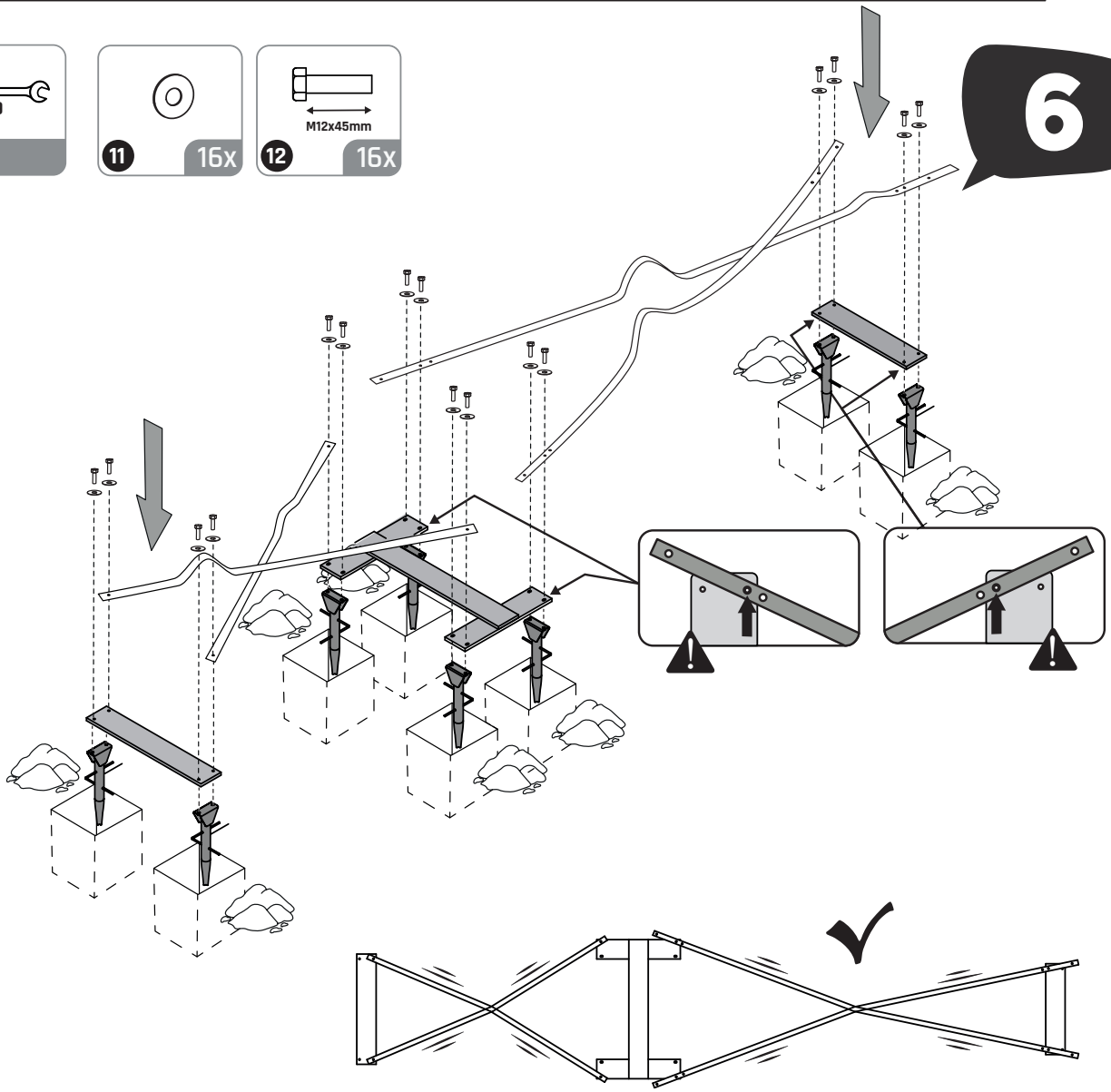
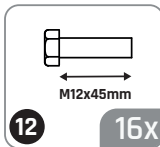
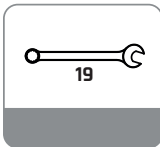


4



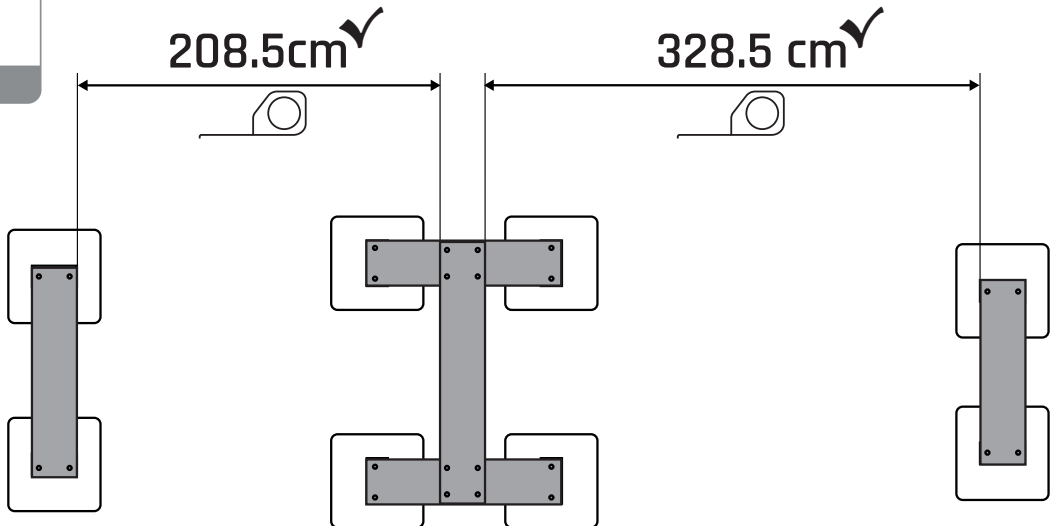
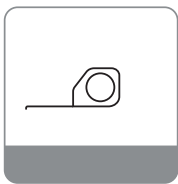
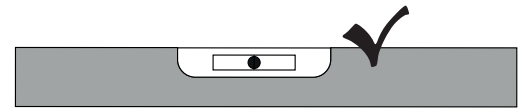
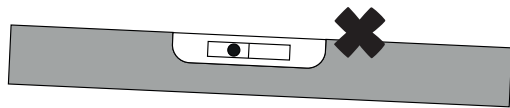
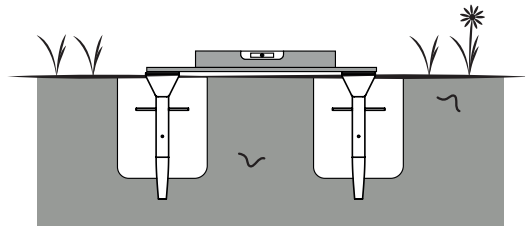
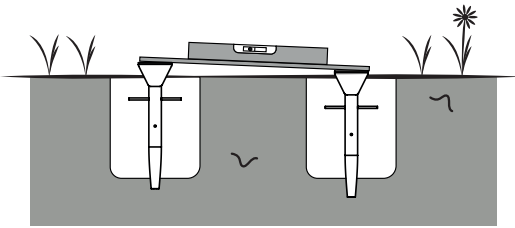
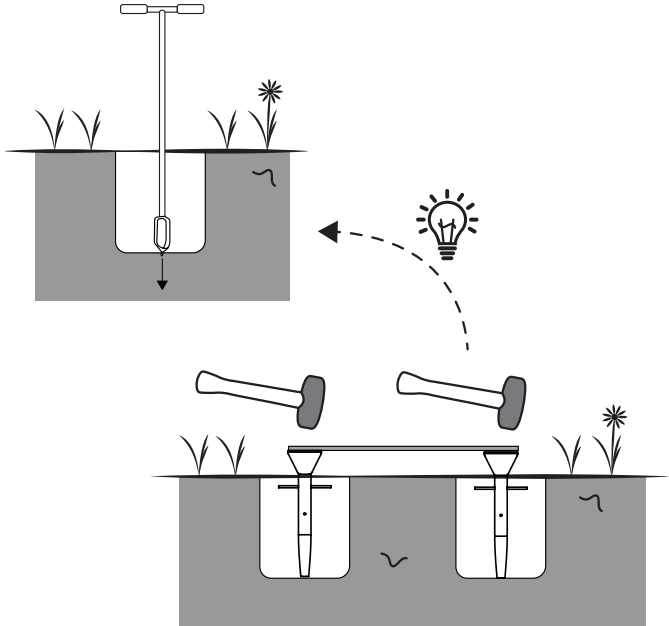
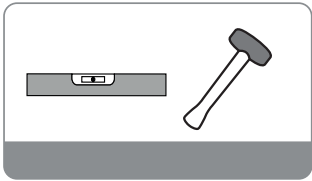


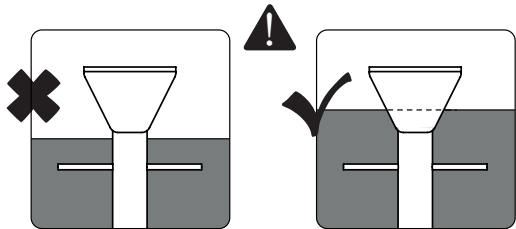
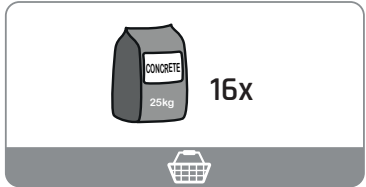
5



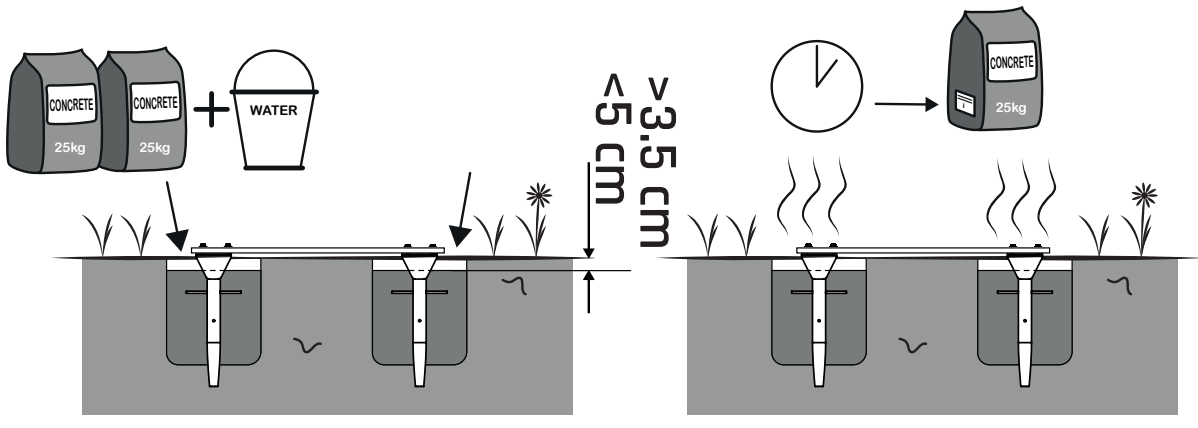
6

7

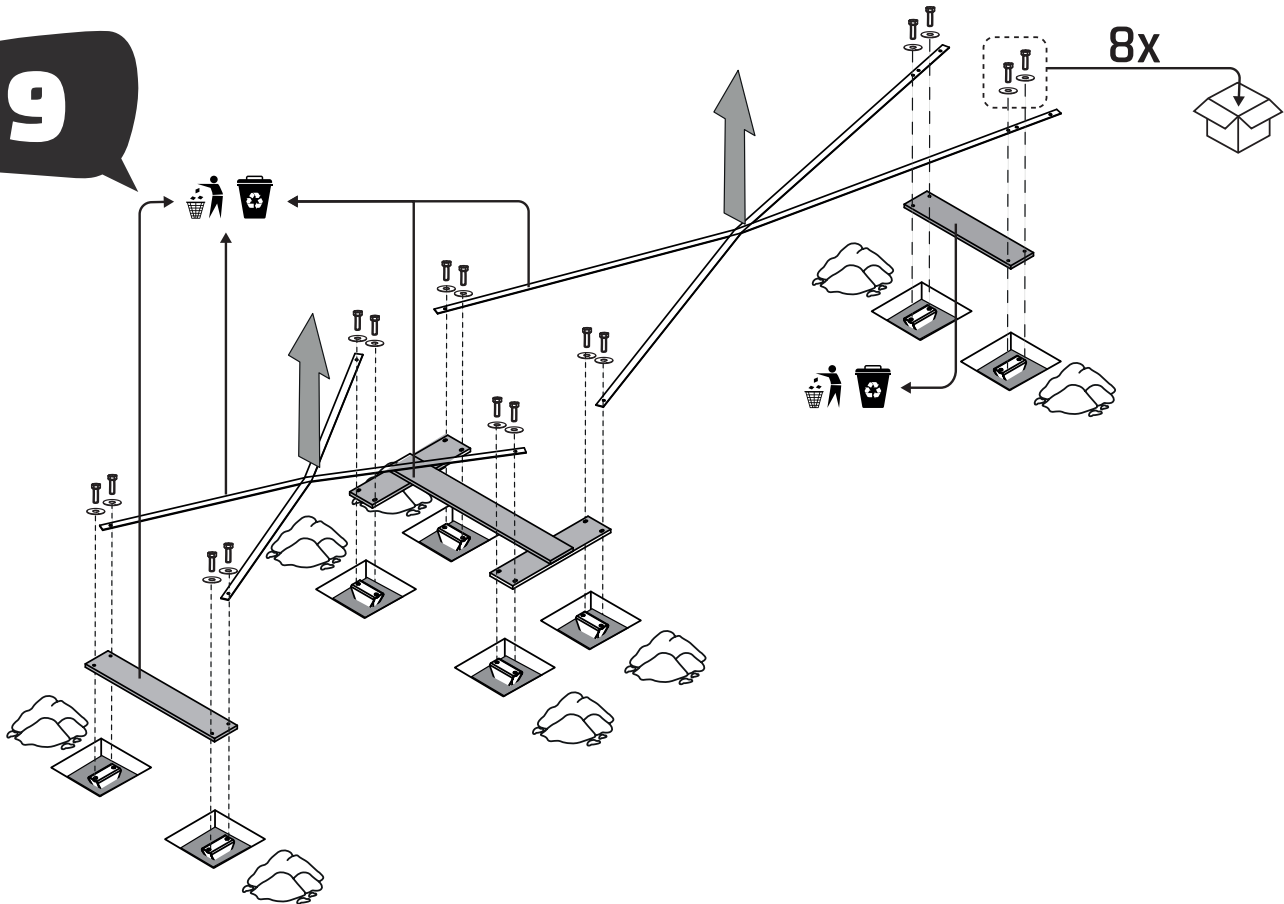


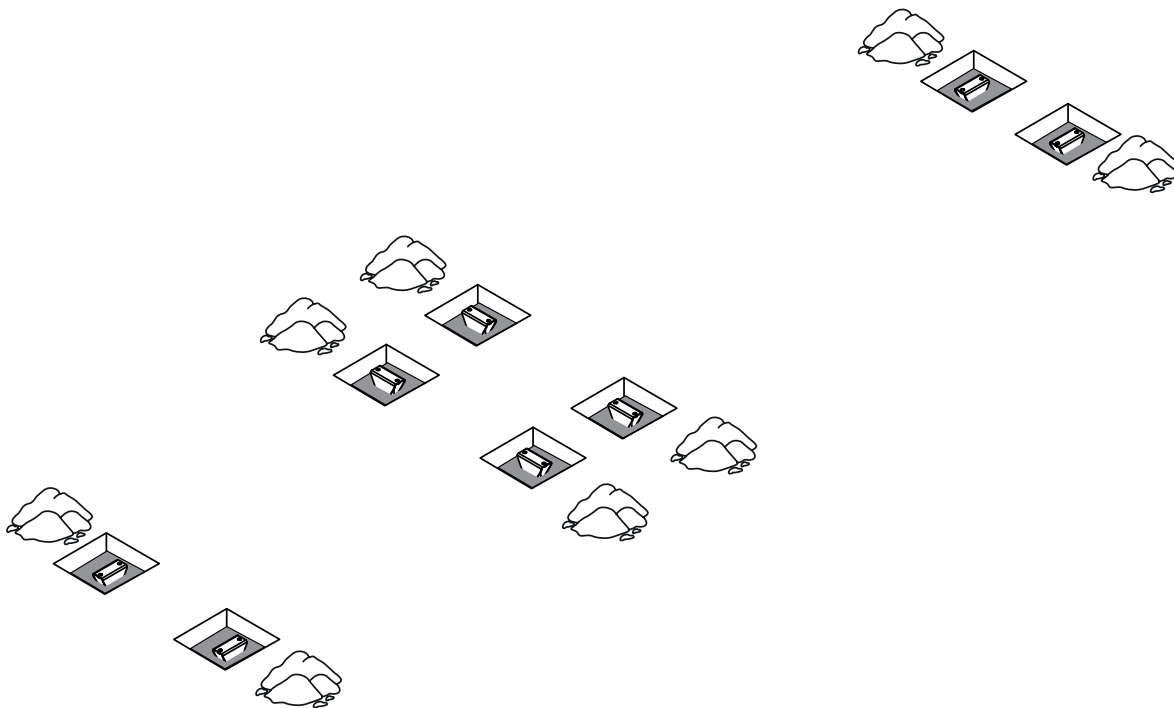


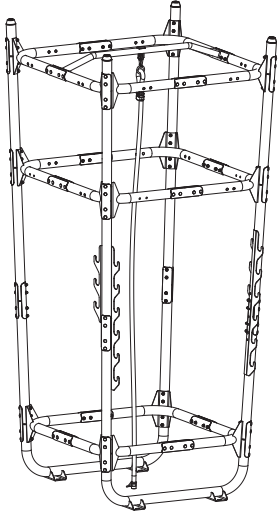
8




9








- 1**



A


61.85.10.10	4X
-------------	----

2




61.80.30.10	40X
-------------	-----

3

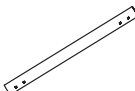


61.80.30.00	28X
-------------	-----
- 4**



61.85.10.50	2X
-------------	----

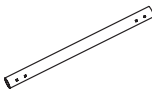
5



790mm

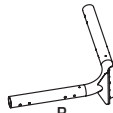
61.85.20.79	4X
-------------	----

6



856mm


61.85.20.86	4X
-------------	----
- 7**



B

61.85.10.40	4X
-------------	----

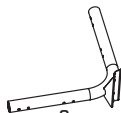
8



714mm


61.85.20.71	4X
-------------	----

9




C

61.85.10.30	4X
-------------	----
- 10**




54.90.14.00	1X
-------------	----

11

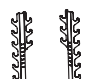


61.80.30.40	1X
-------------	----

12




61.80.30.50	1X
-------------	----
- 18**




54.90.15.00	1X
-------------	----

17

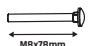


54.90.44.00	1X
-------------	----

13




61.85.20.15	4X
61.85.30.80	4X
- 14**



M8x78mm


M8x78mm	112X
---------	------

15




M8	112X
61.85.40.50	1X

16

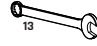


M8	112X
----	------
- 19**




61.90.44.10	1X
-------------	----

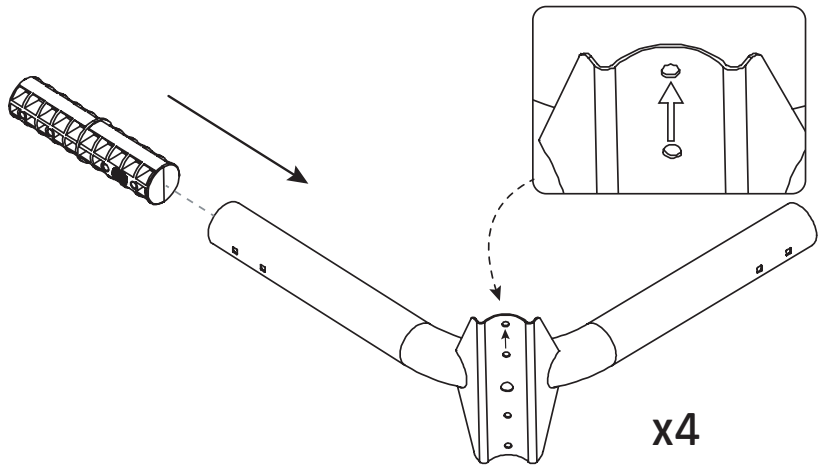
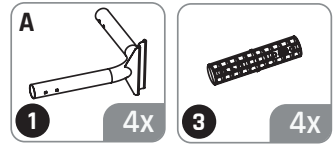
13



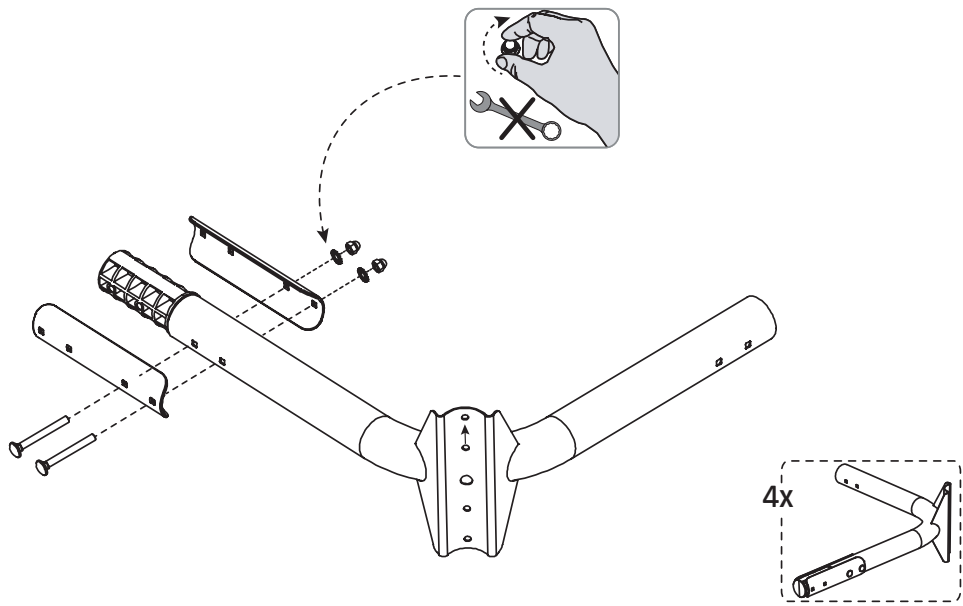
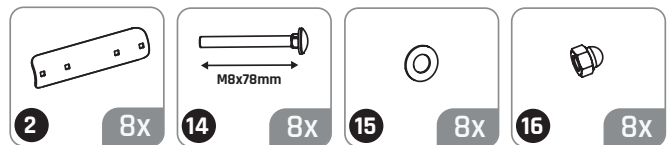
NOT INCLUDED



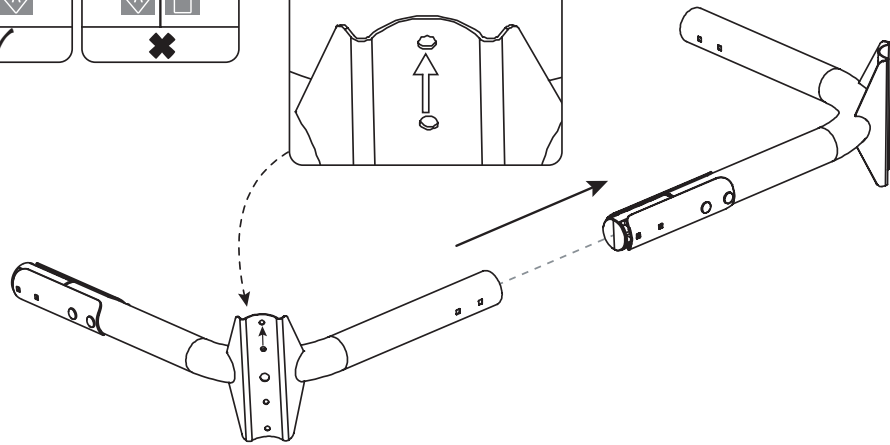
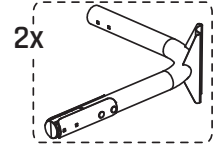
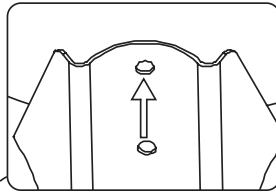
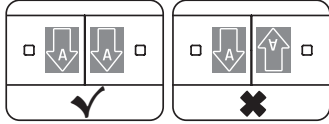
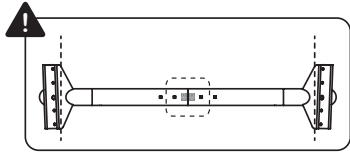
1



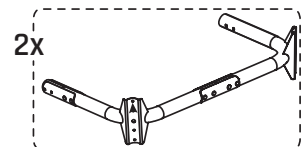
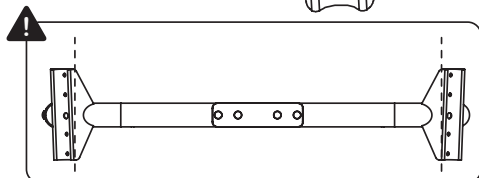
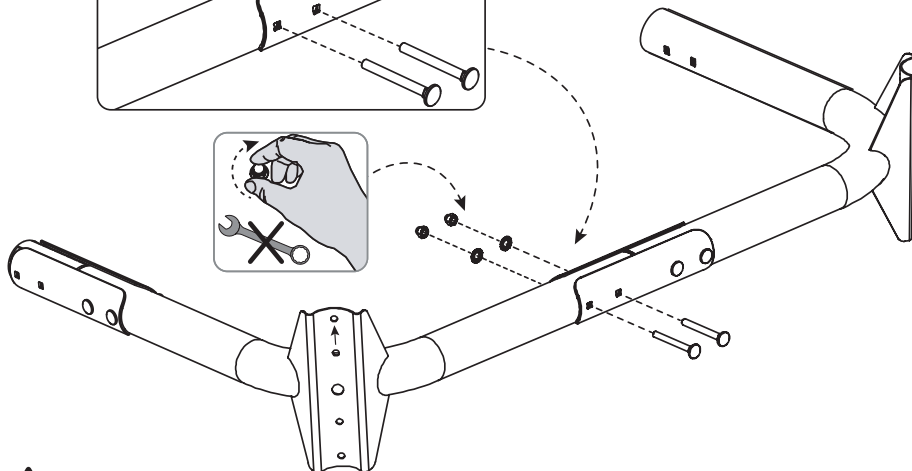
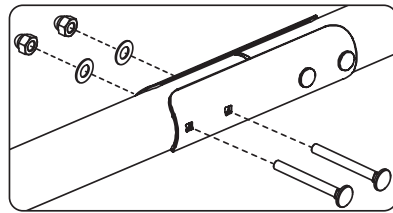
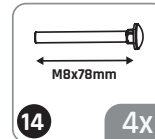
2



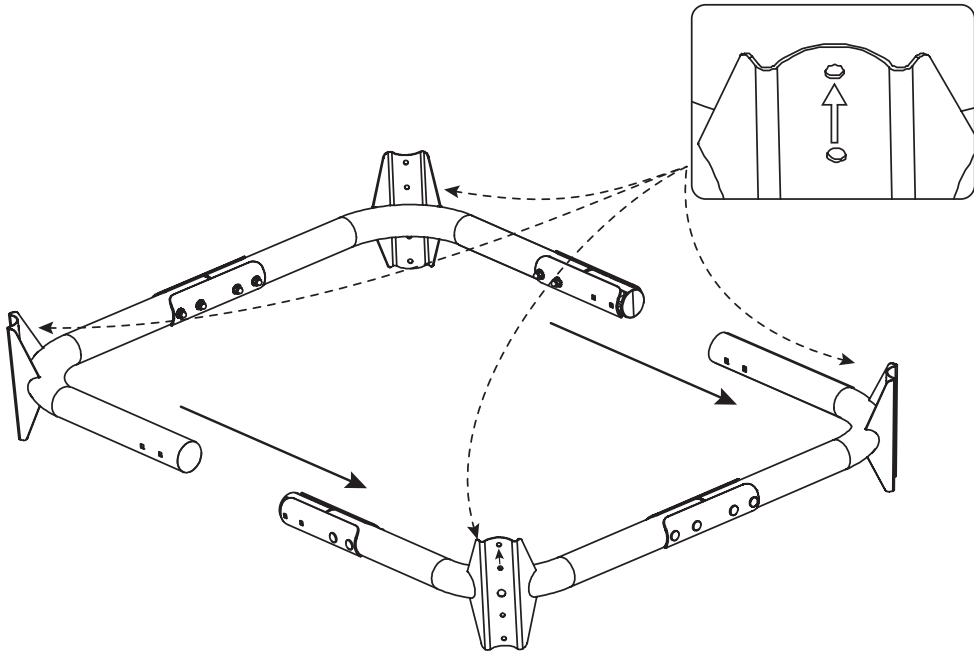
3



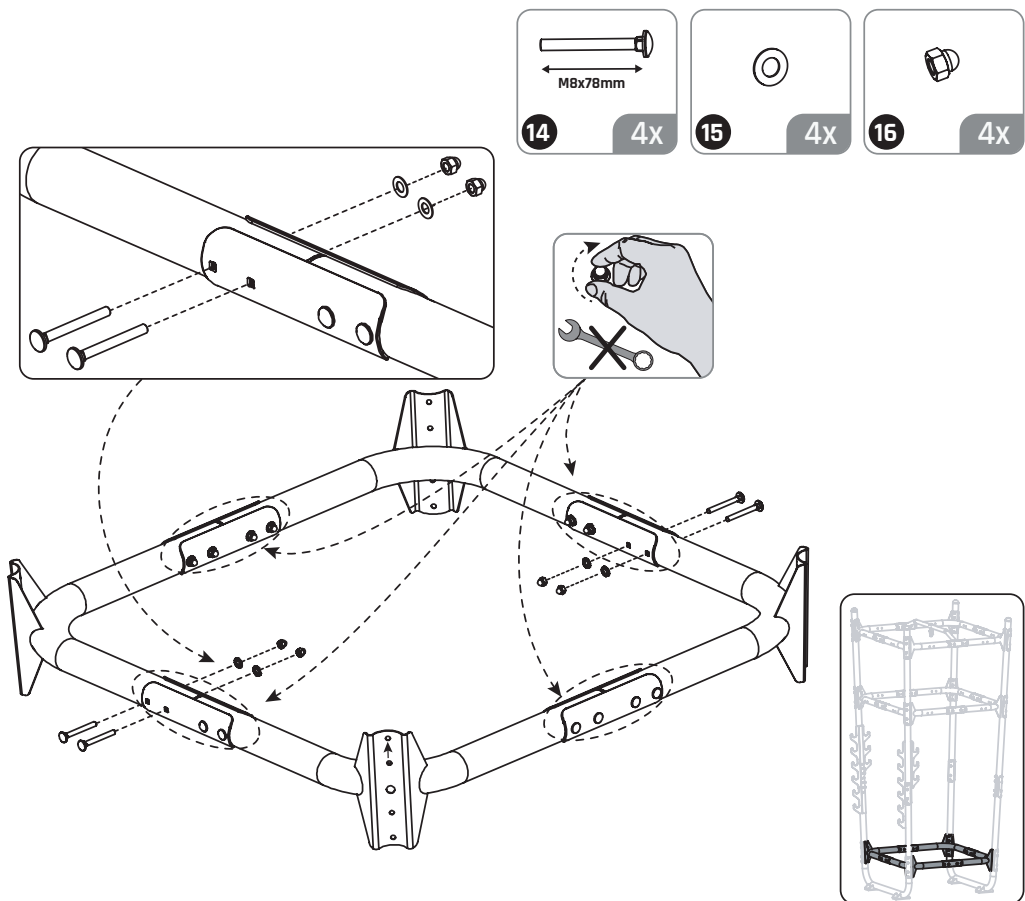
4



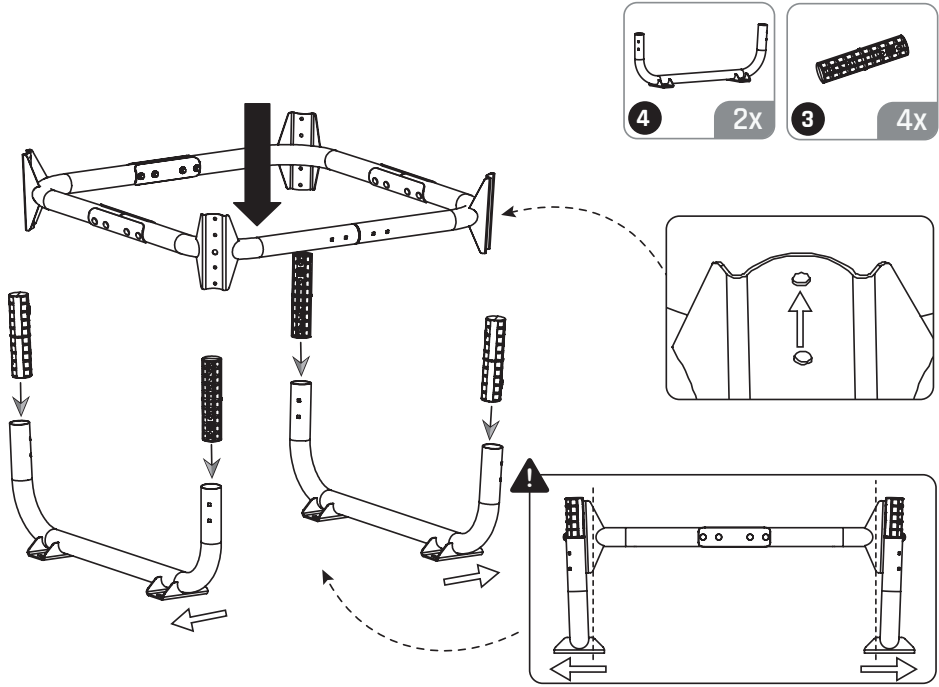
5



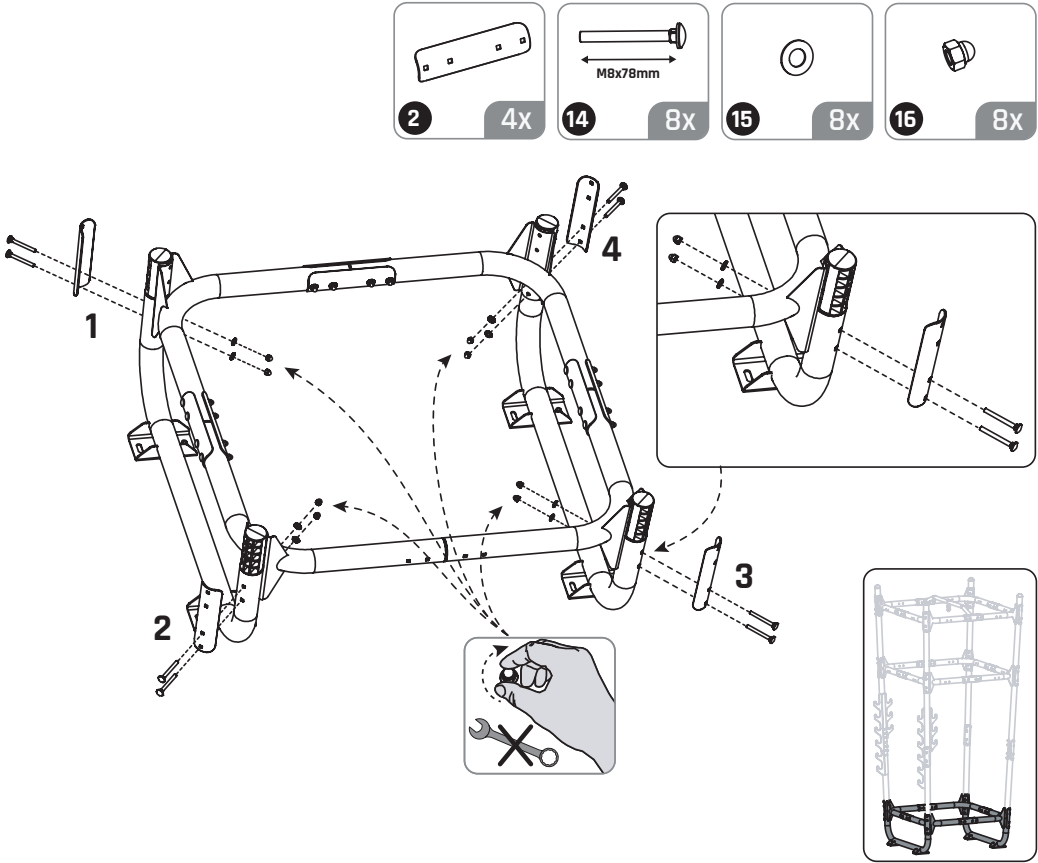
6



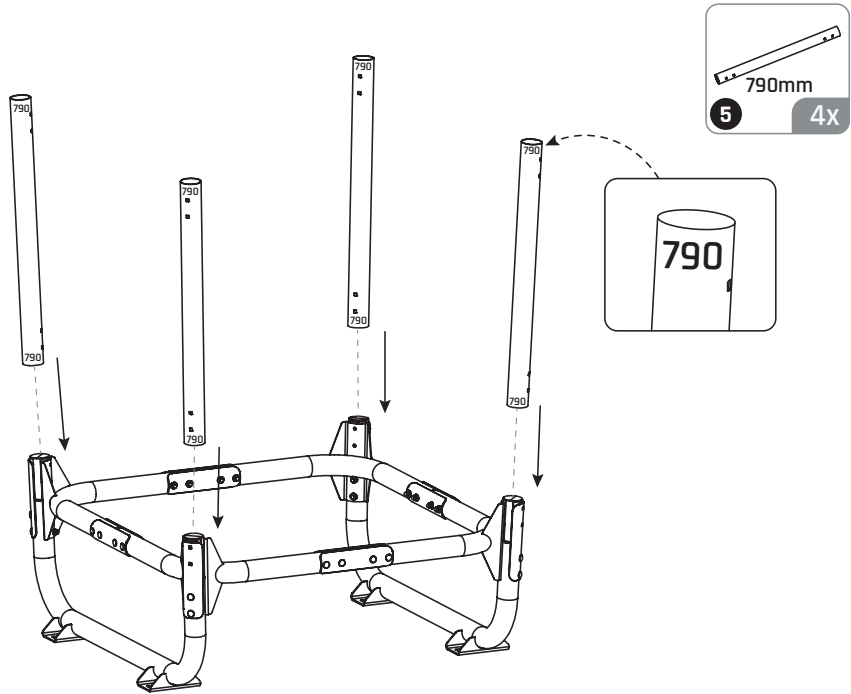
7



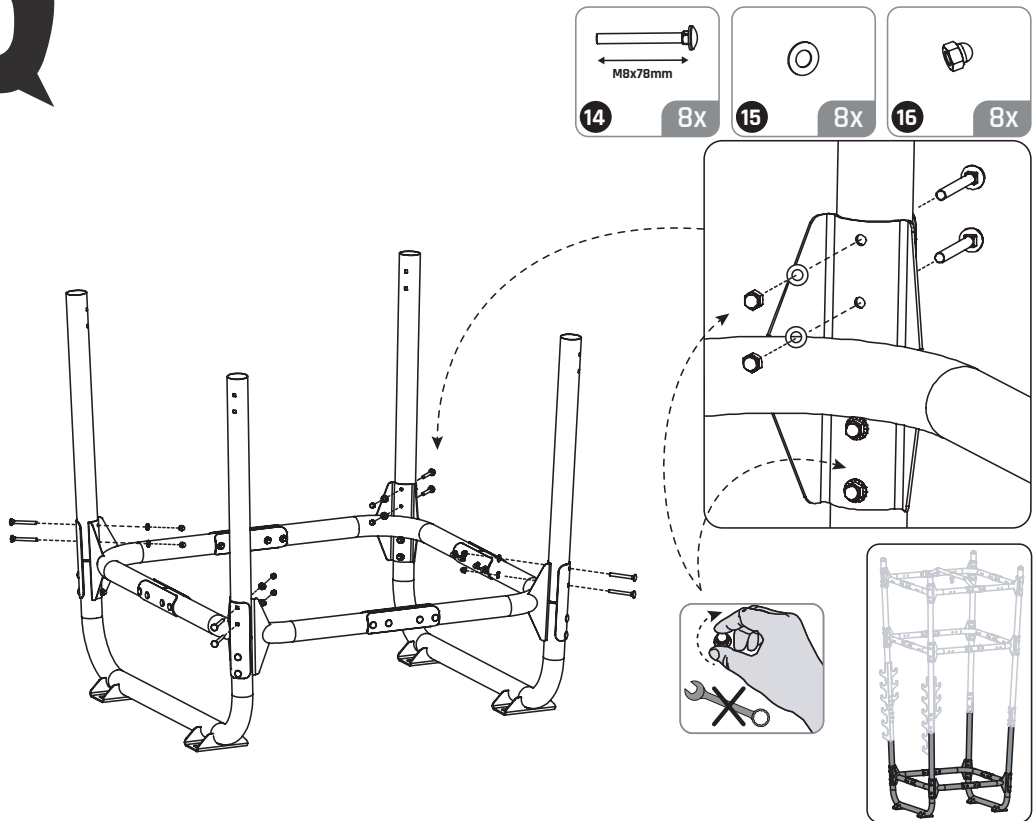
8



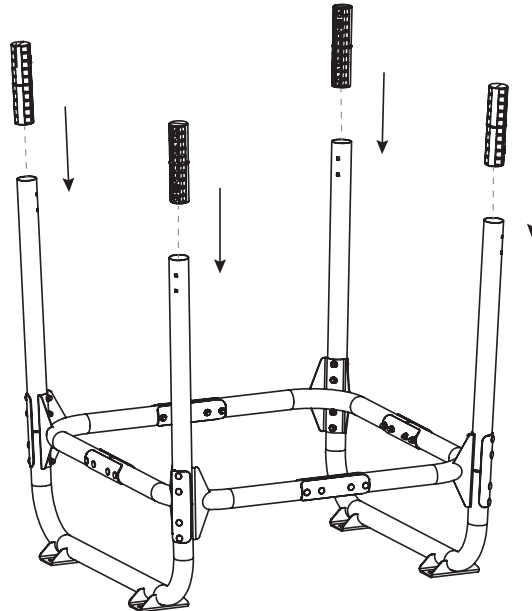
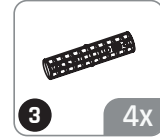
9



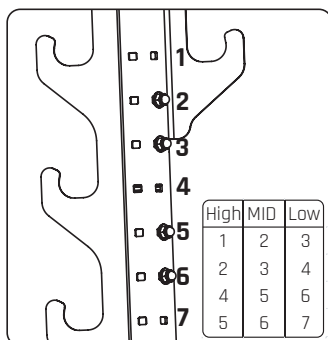
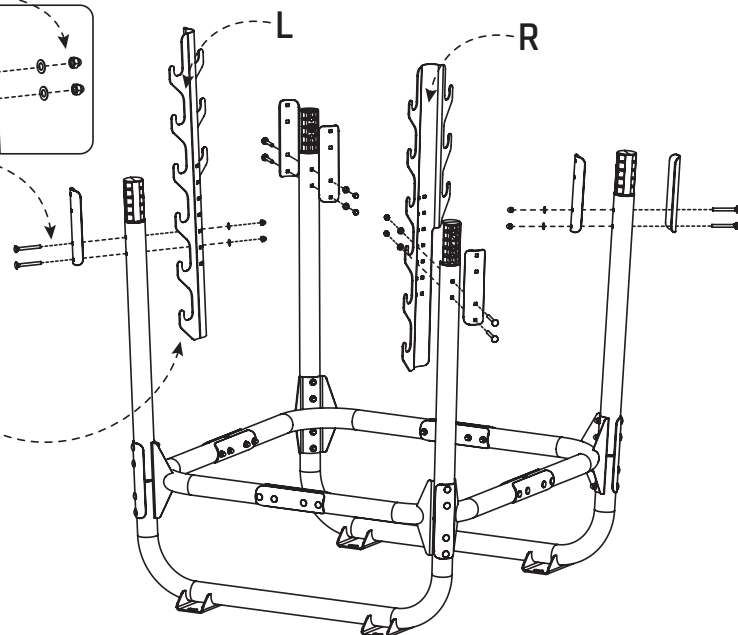
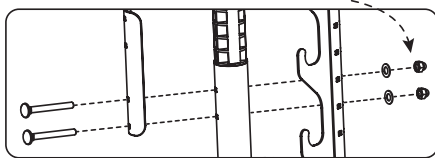
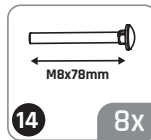
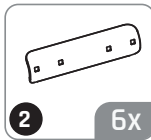
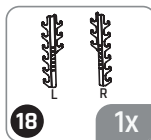
10



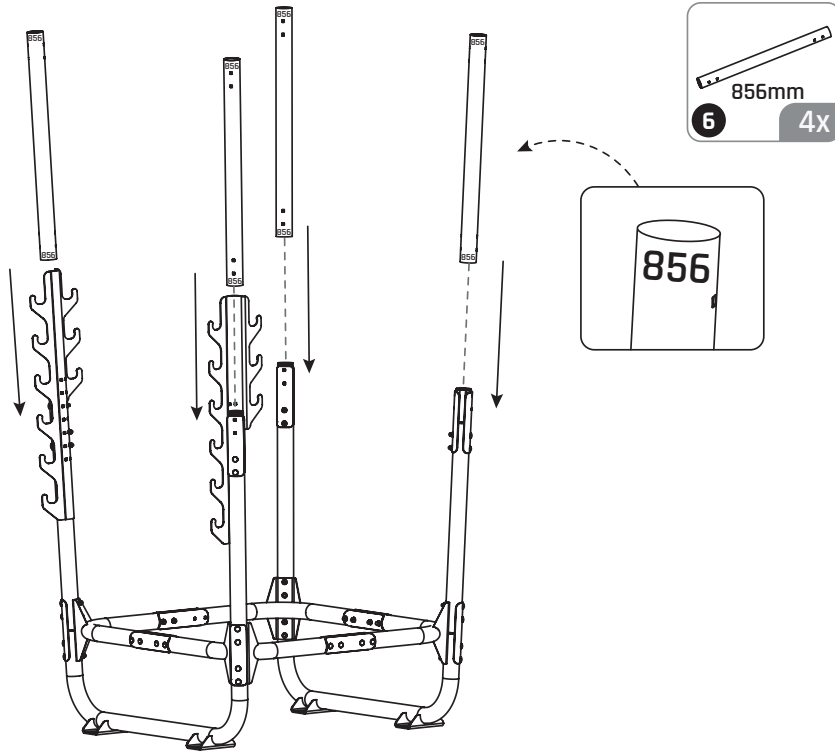
11



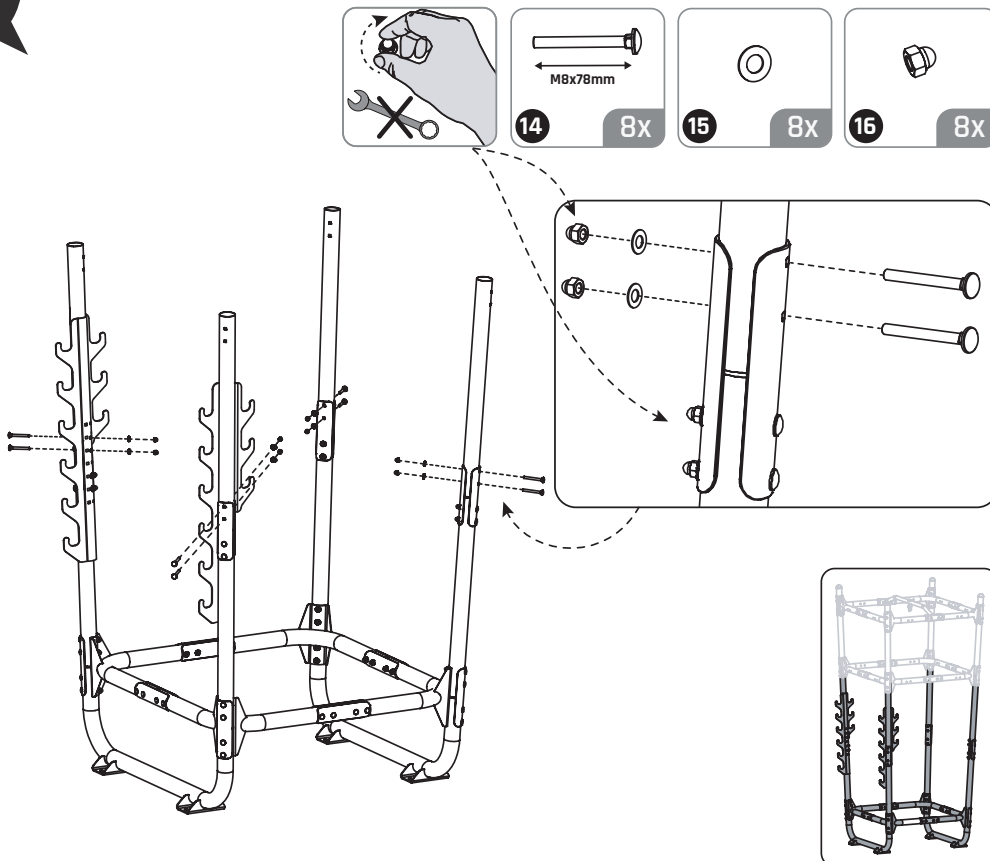
12



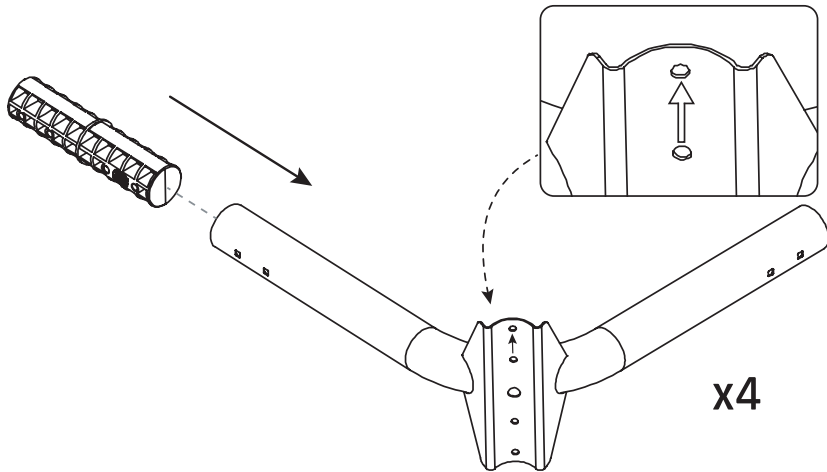
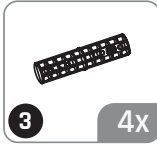
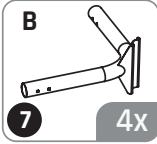
13



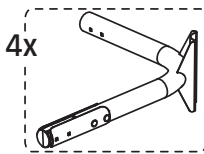
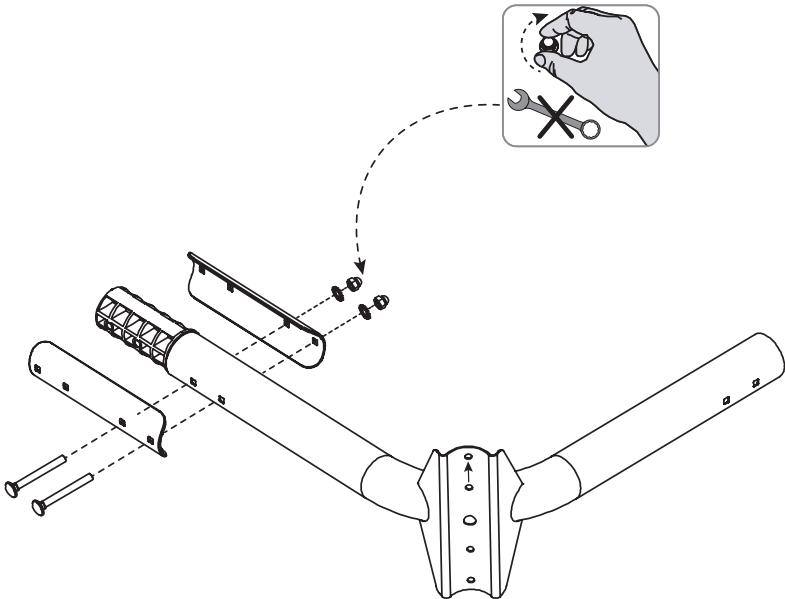
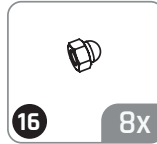
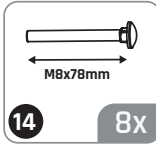
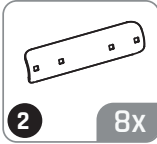
14



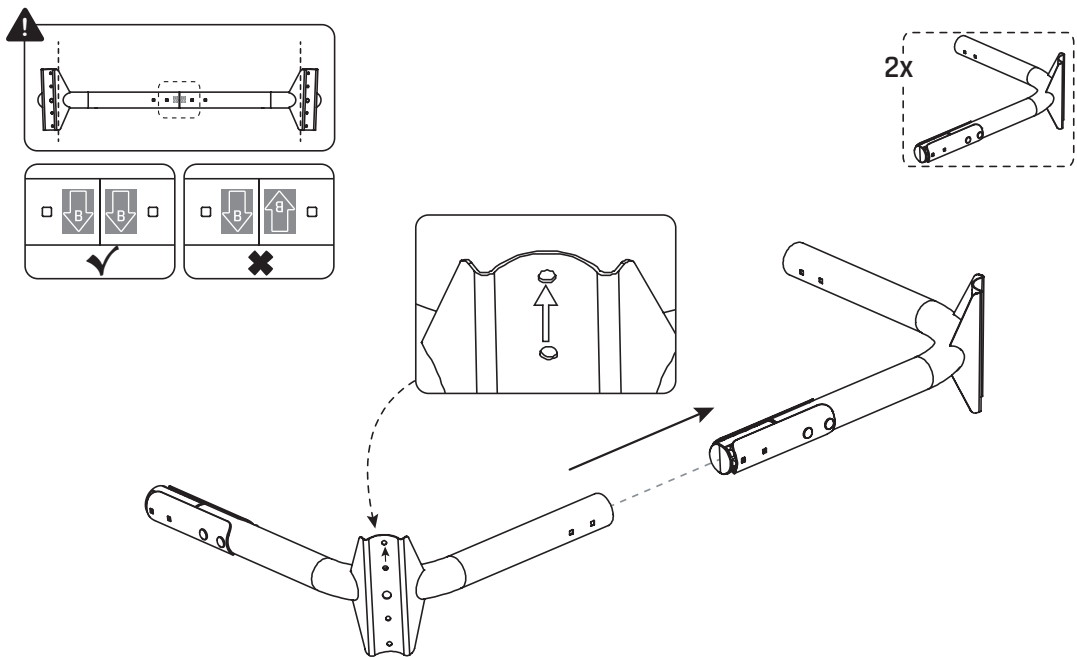
15



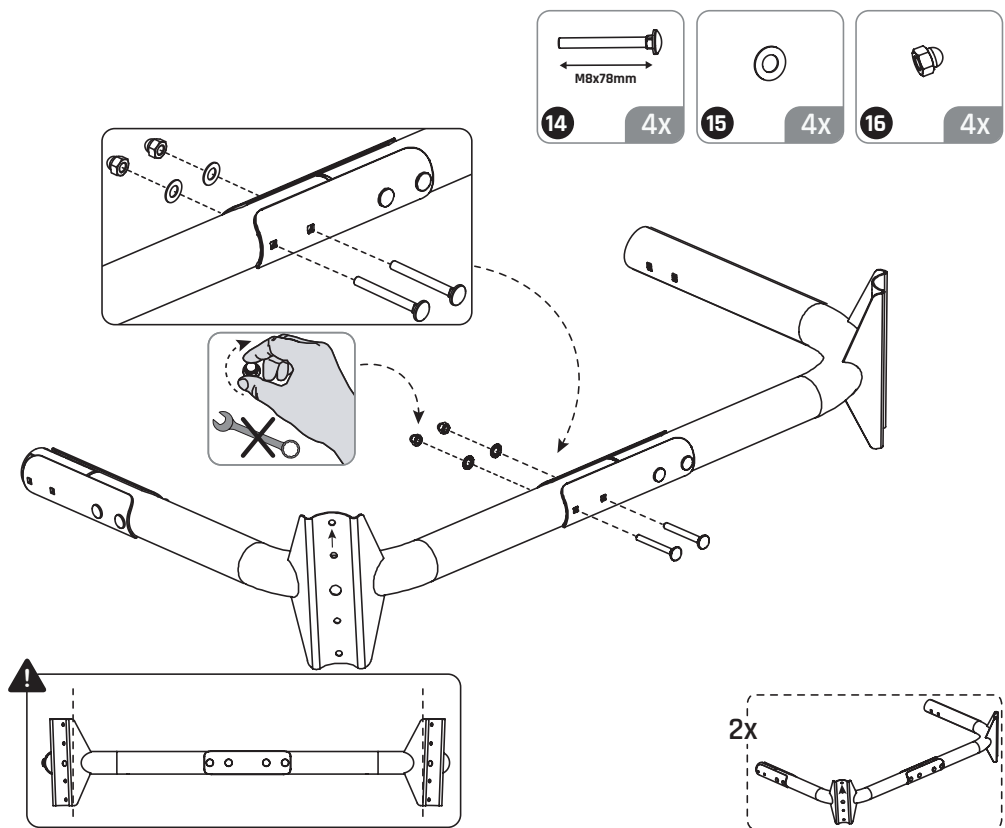
16



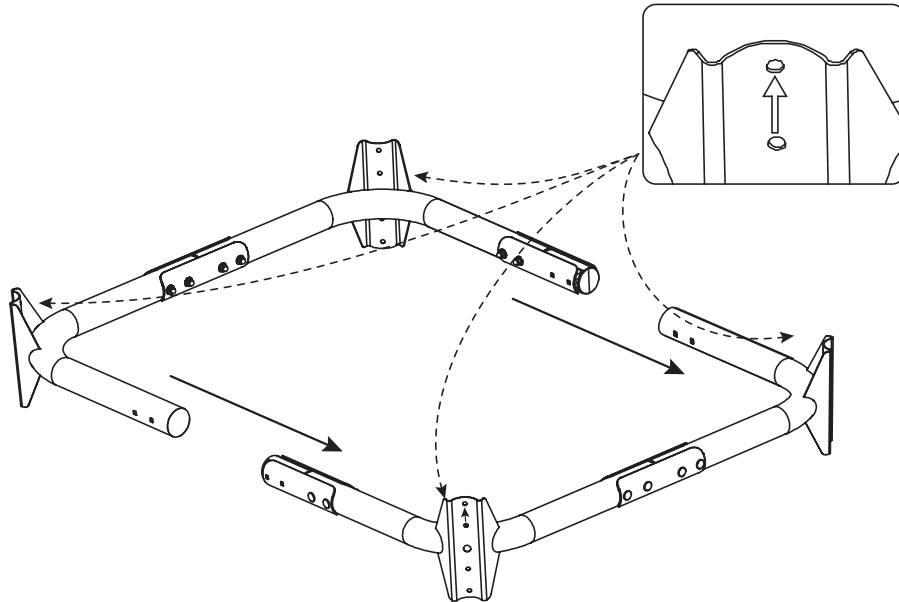
17



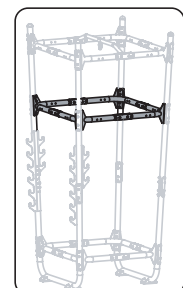
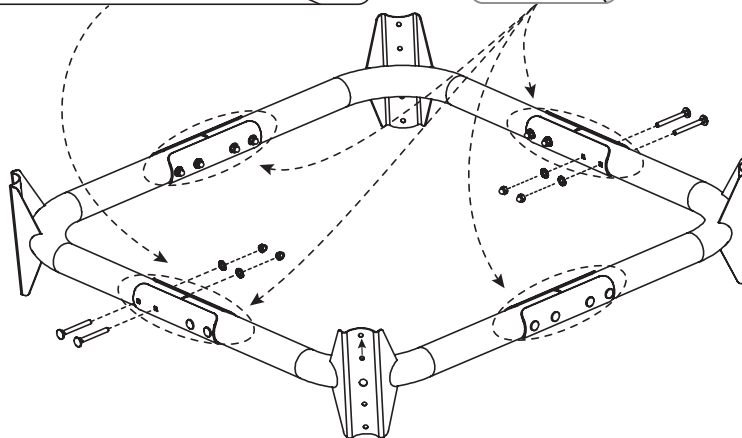
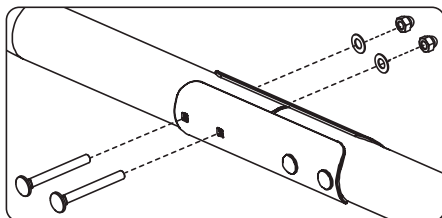
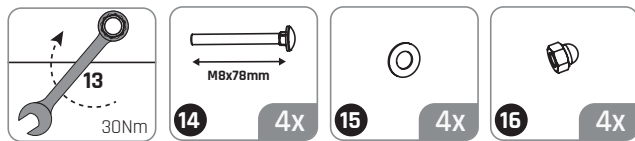
18



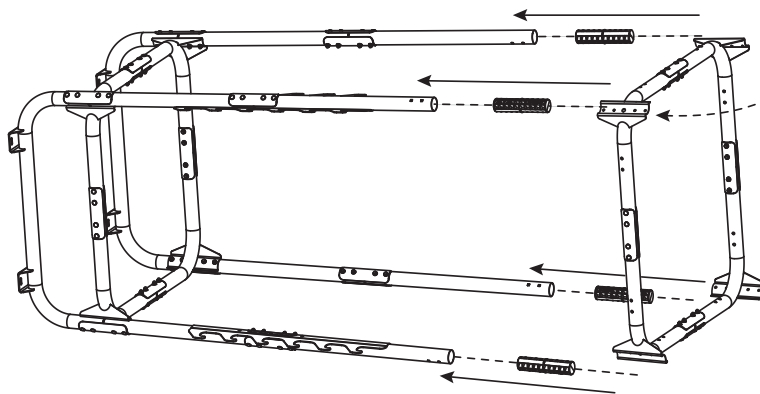
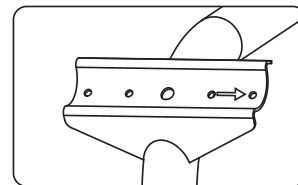
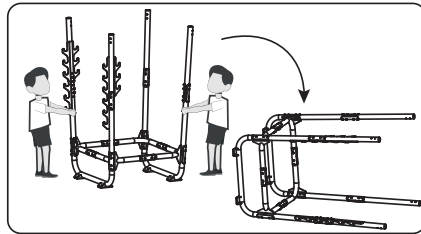
19



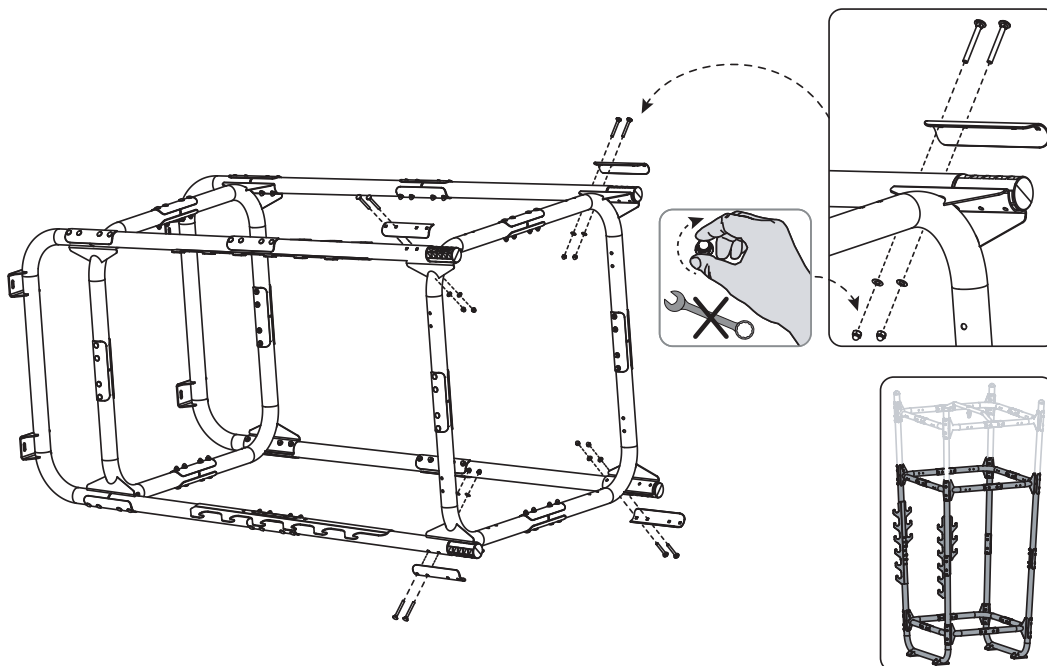
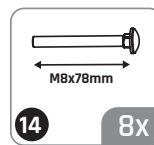
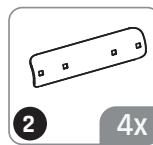
20



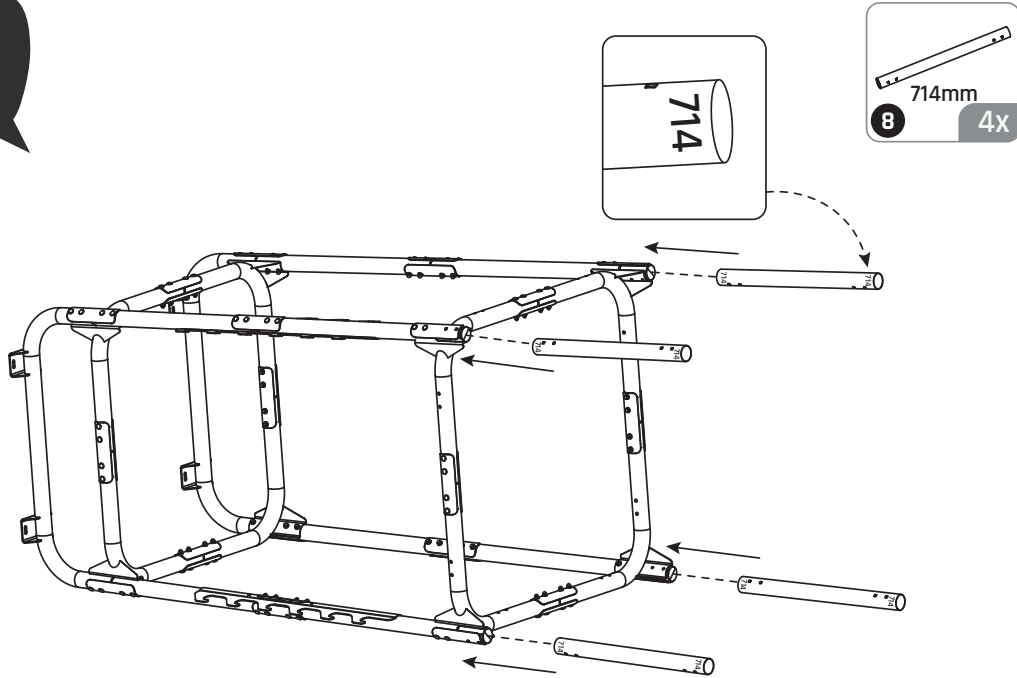
21



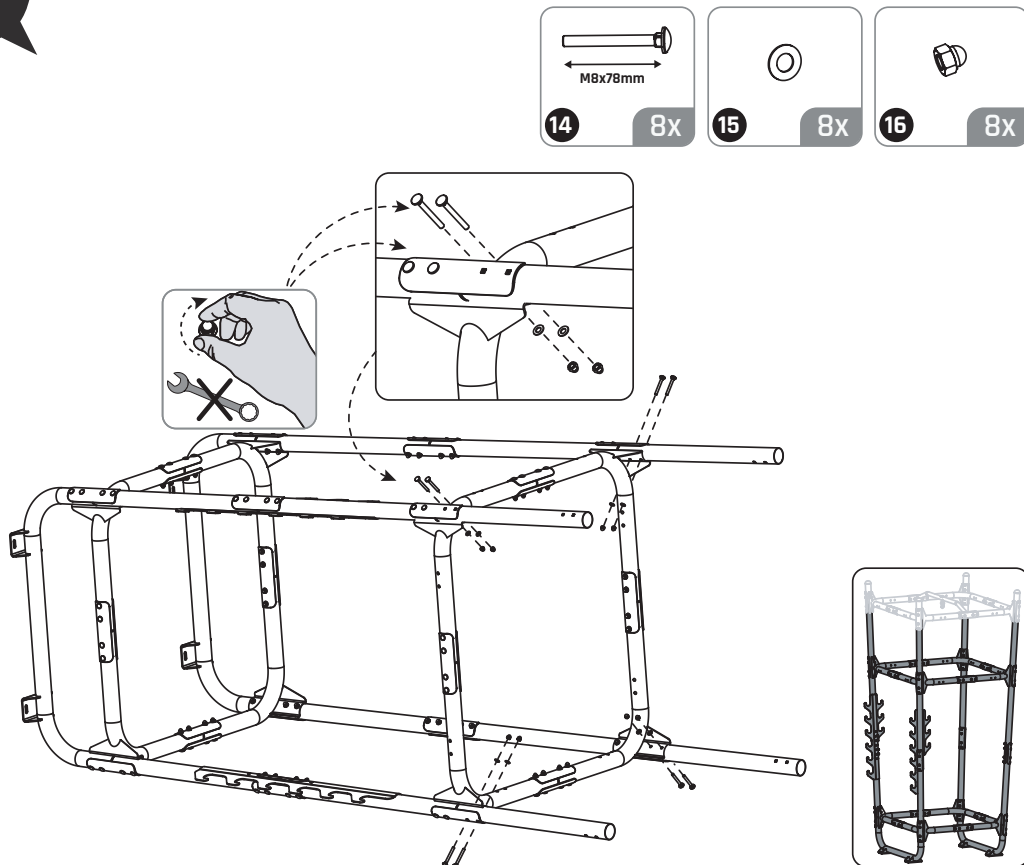
22



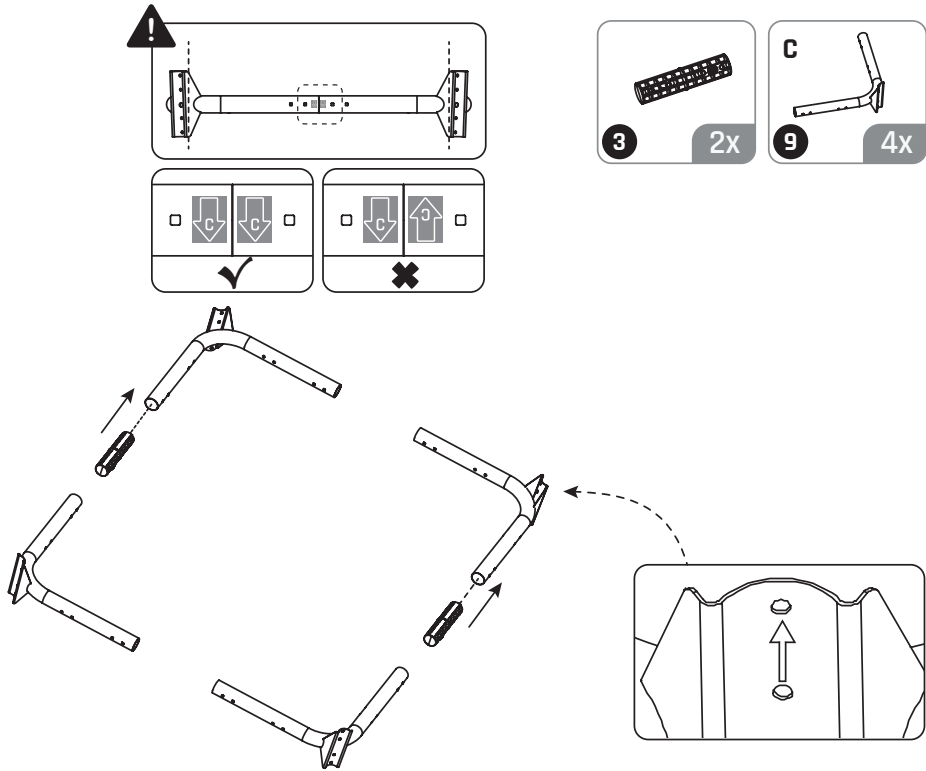
23



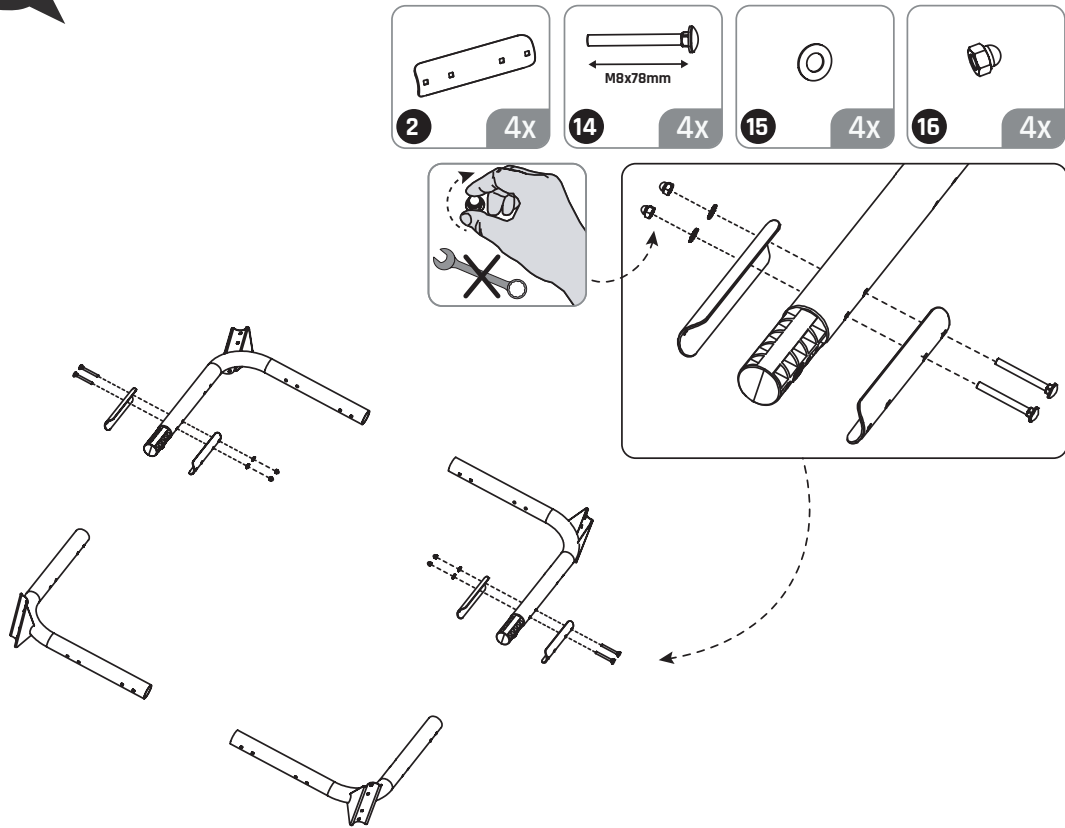
24



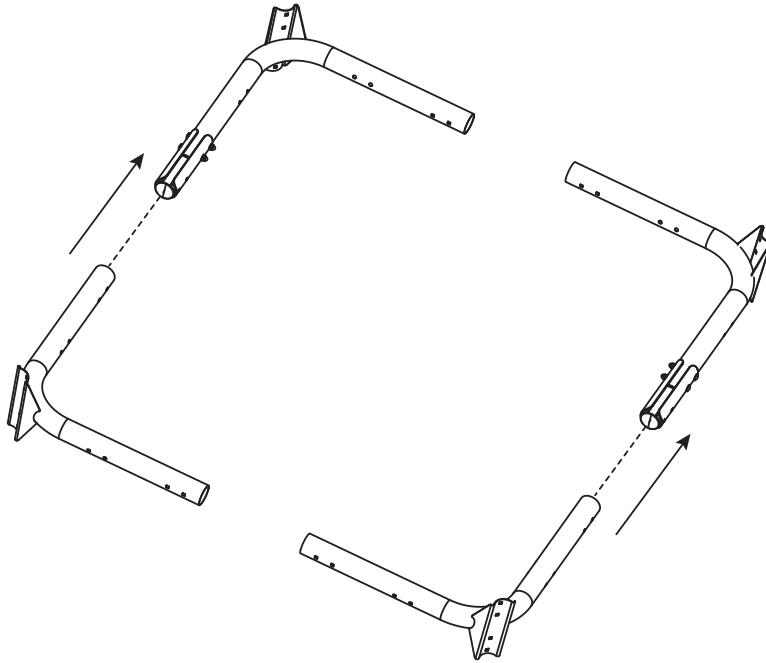
25



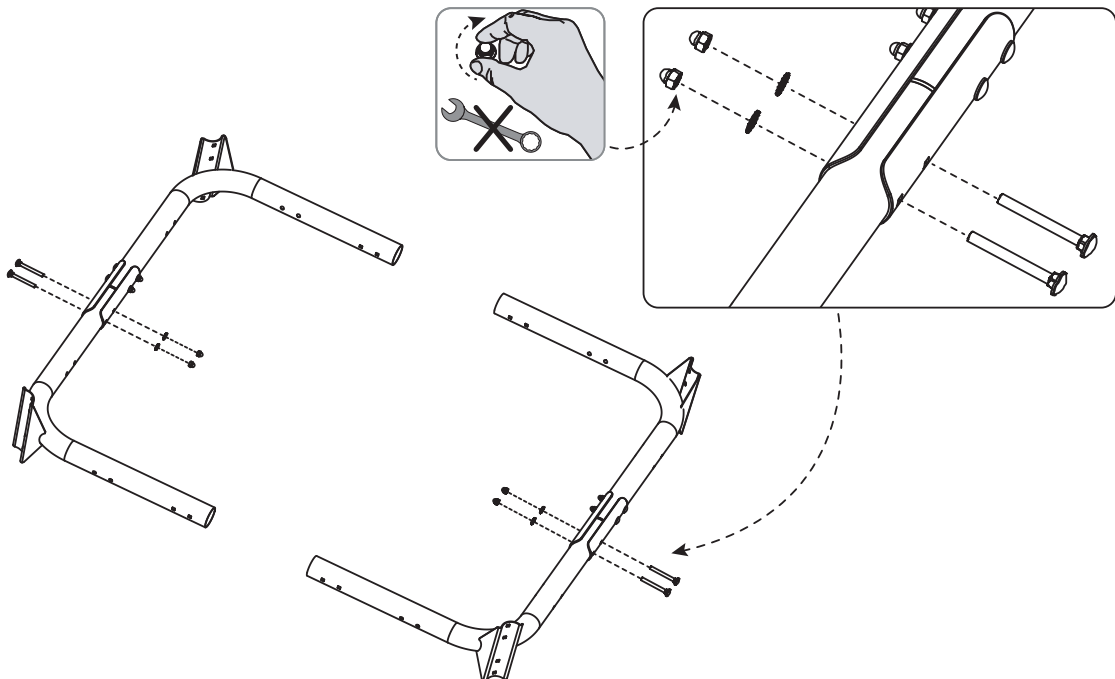
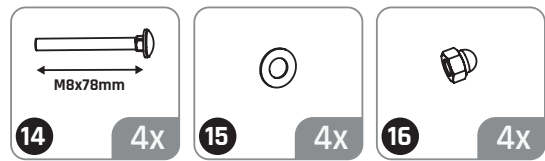
26



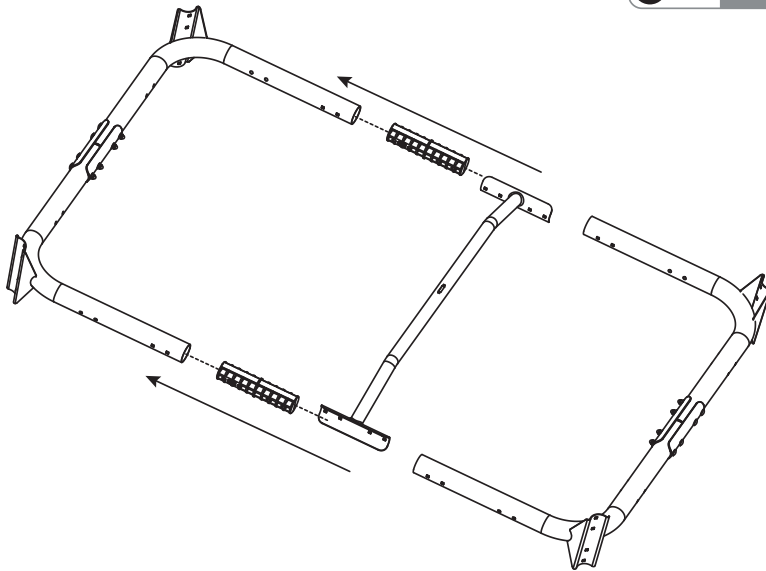
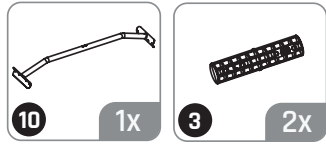
27



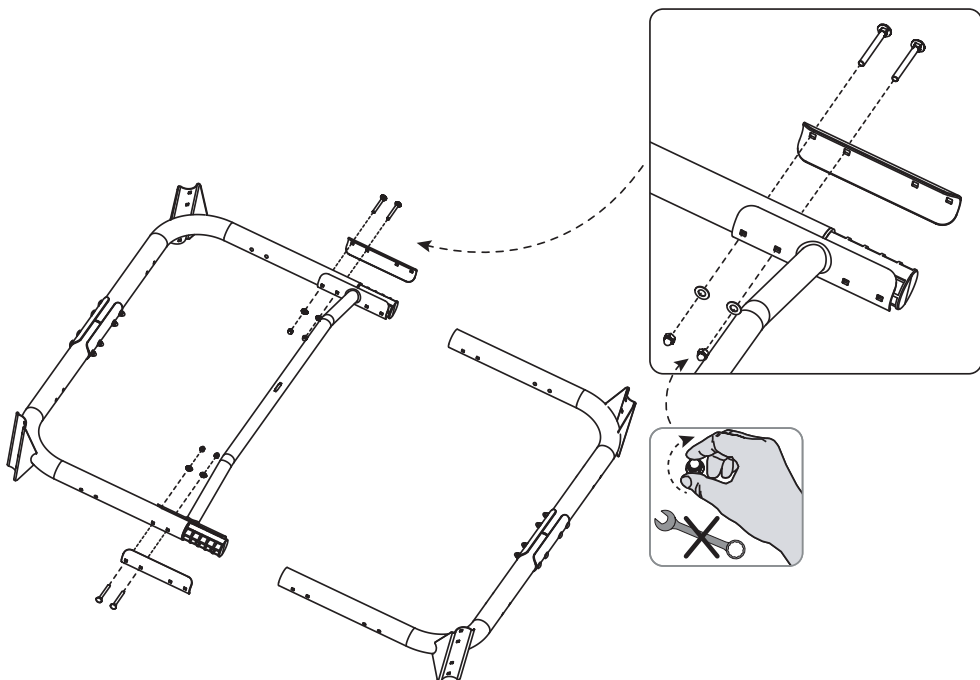
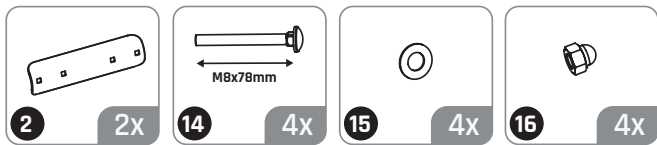
28



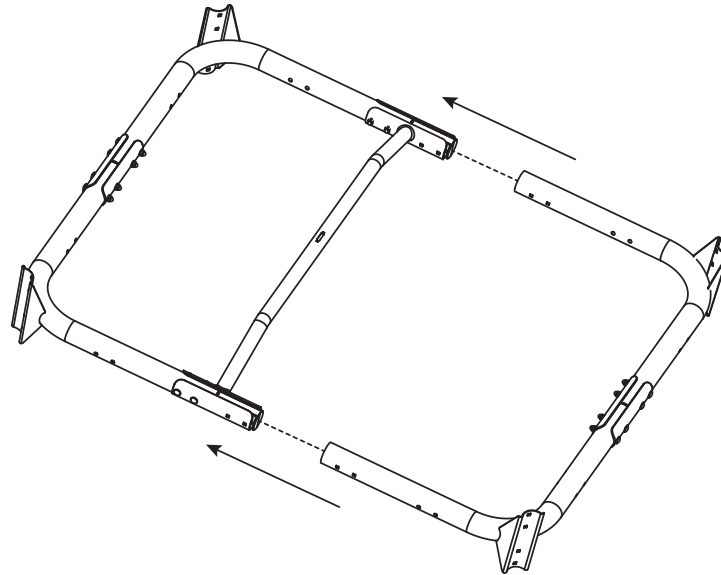
29



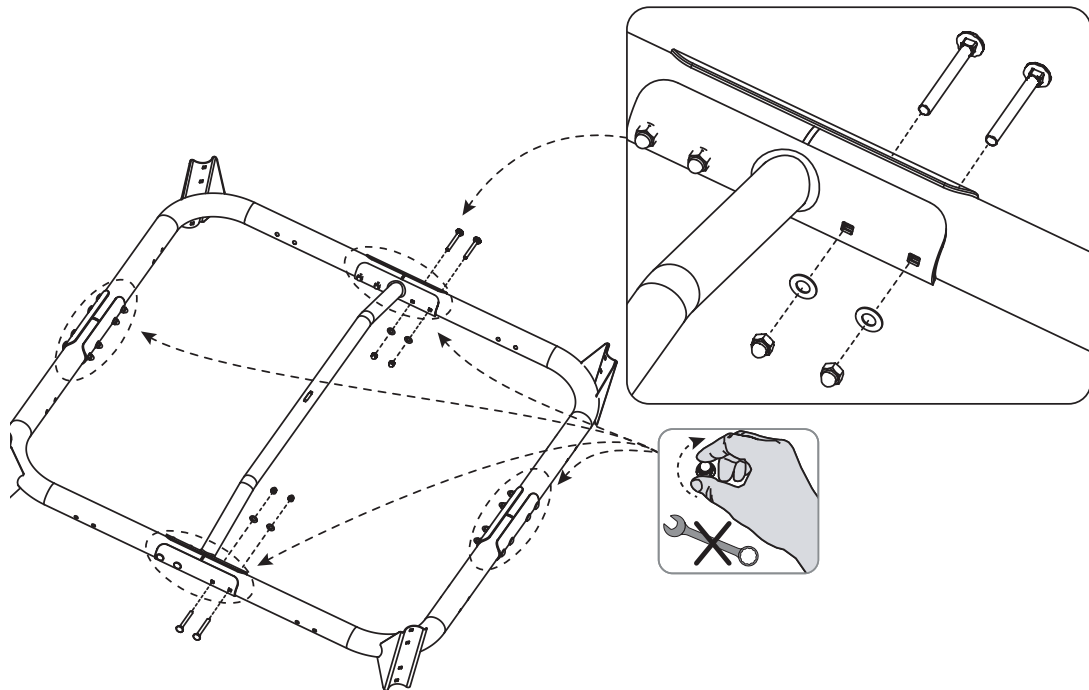
30



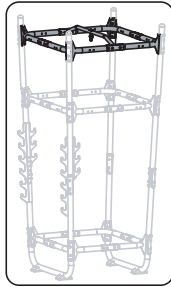
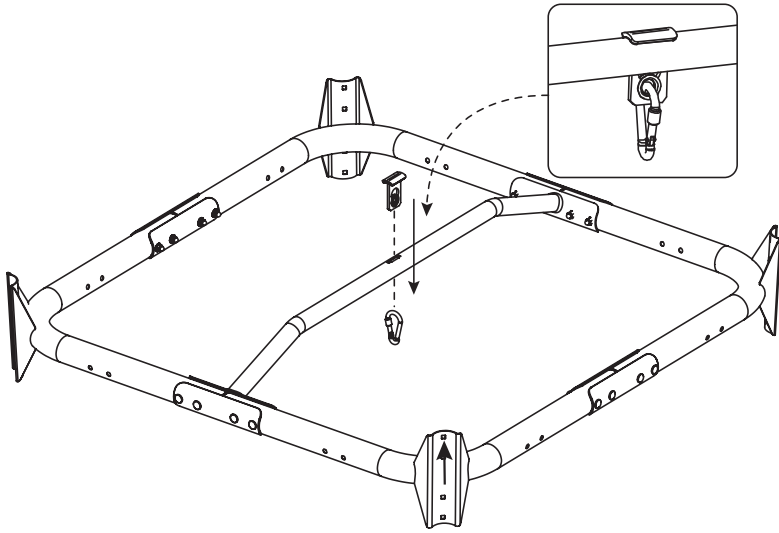
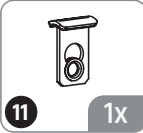
31



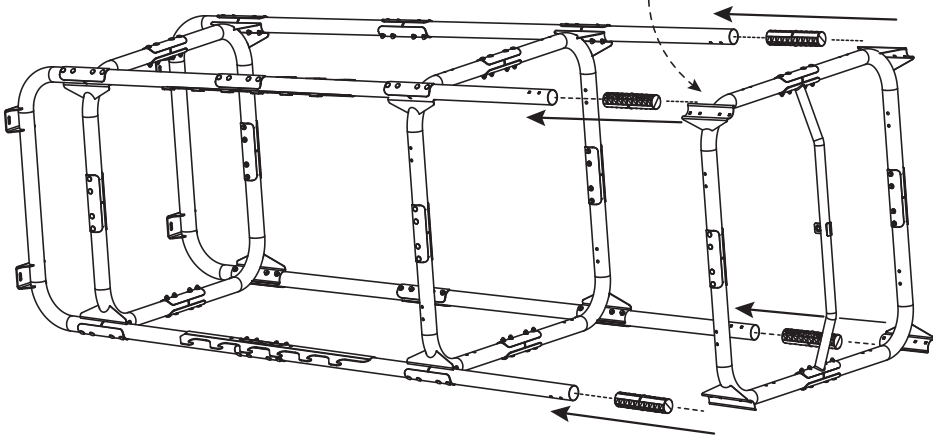
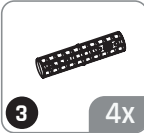
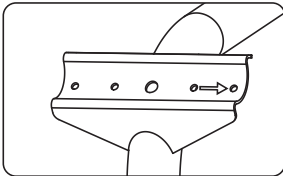
32



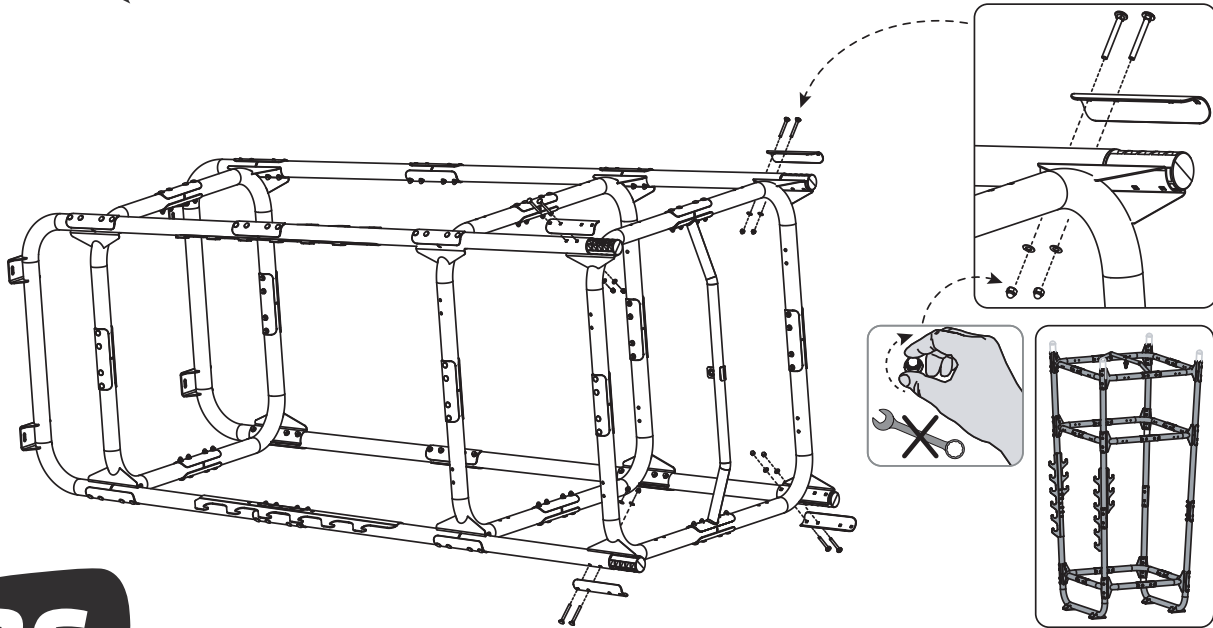
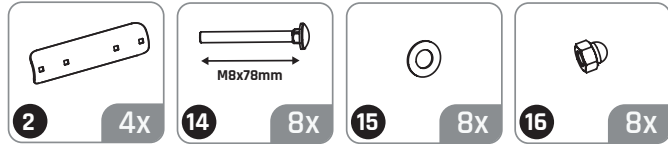
33



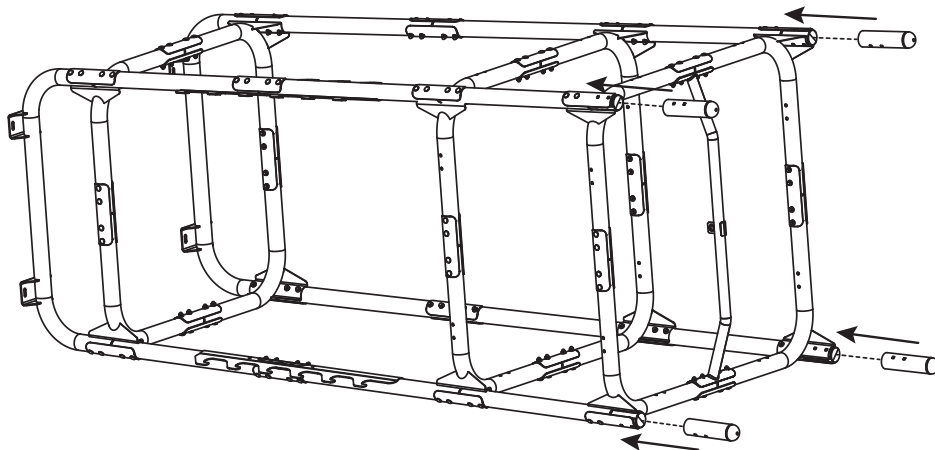
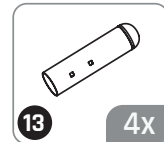
34



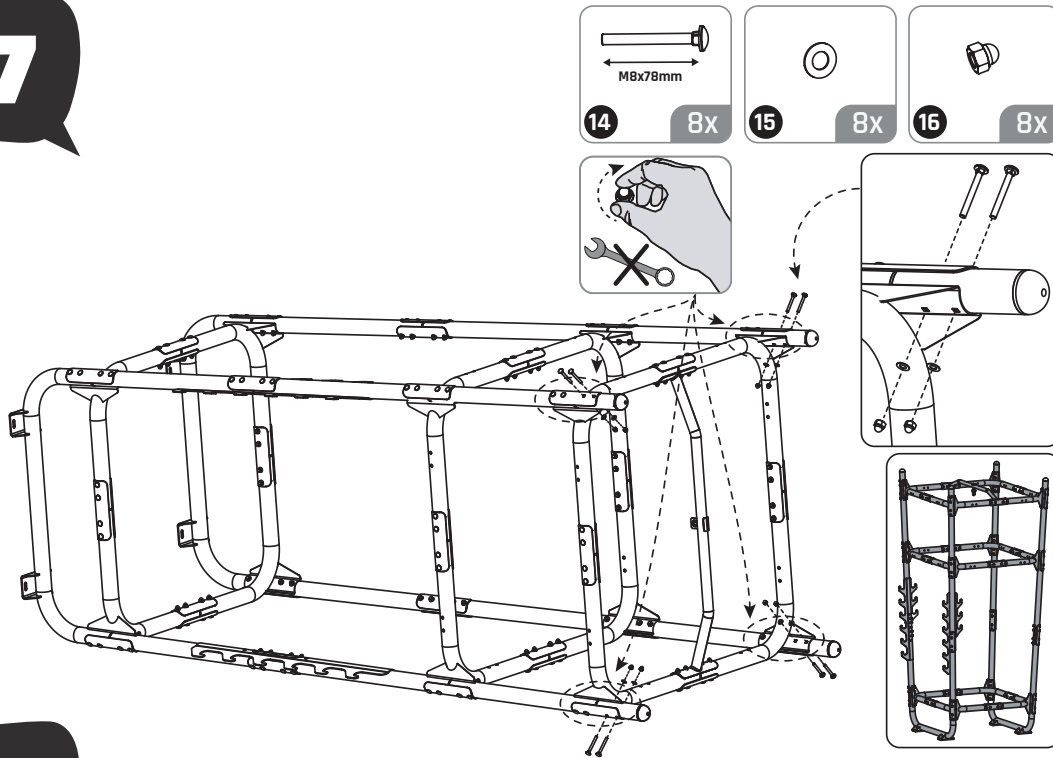
35



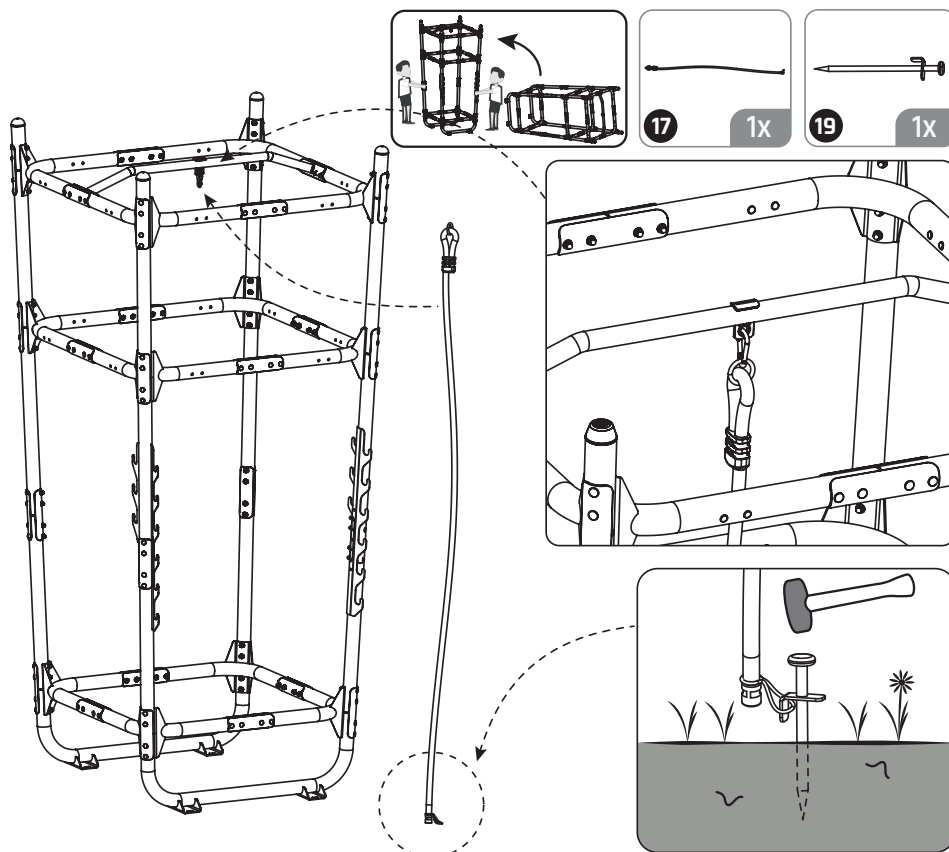
36



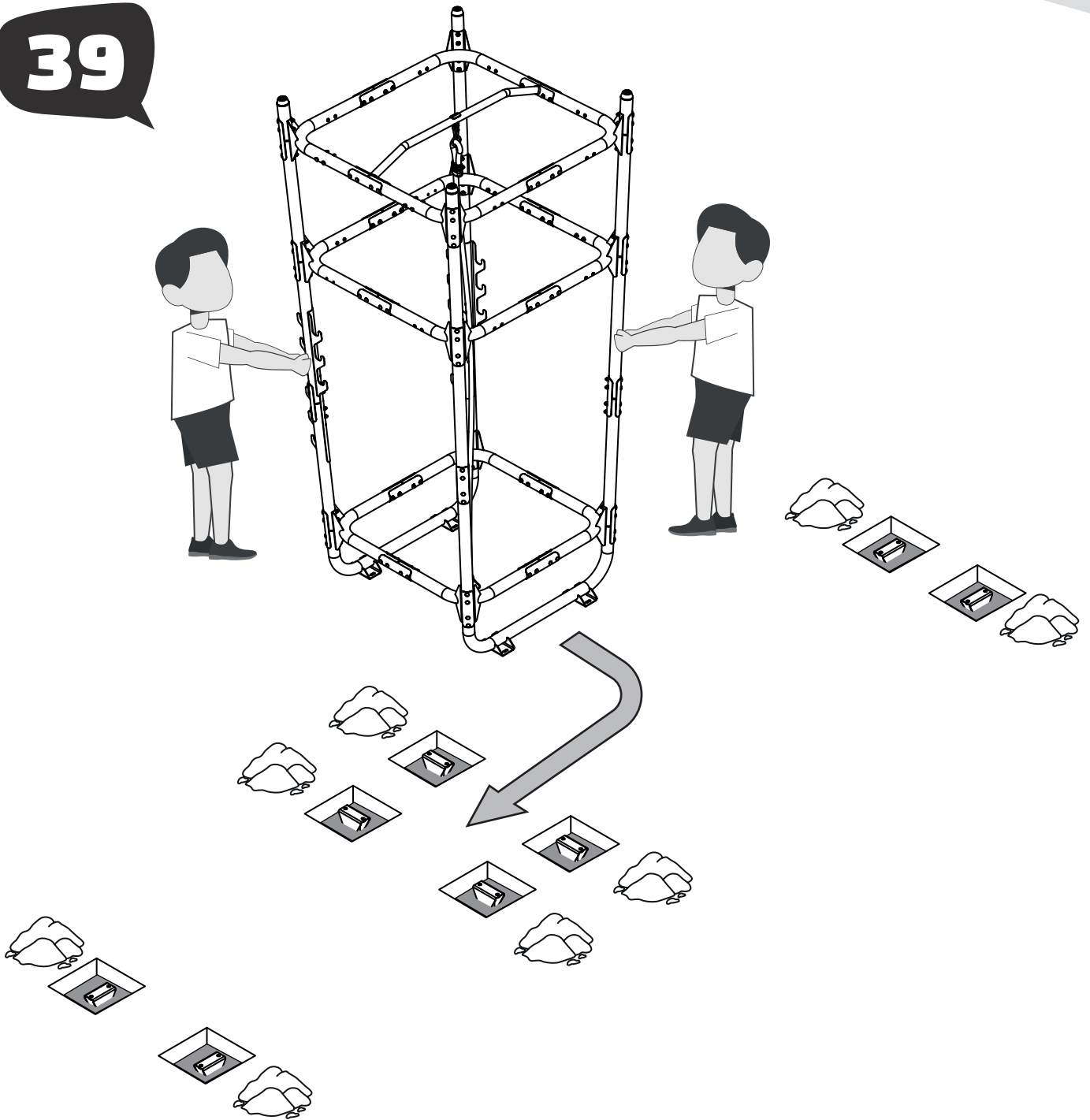
37



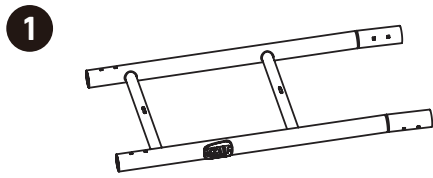
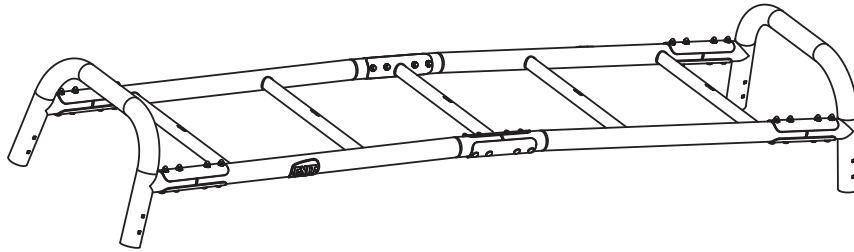
38



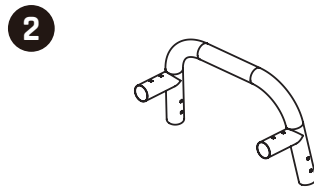
39







61.82.10.20 2X



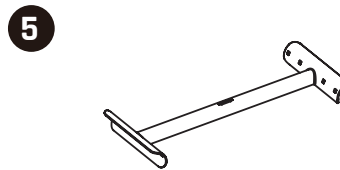
61.82.10.10 2X



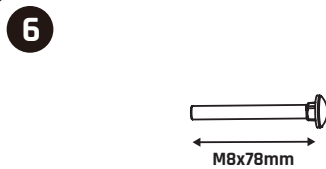
61.80.30.00 6X



61.80.30.10 10X



61.82.10.50 1X



M8x78mm 24X

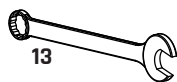


M8 24X



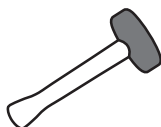
M8 24X

61.82.40.40 1X

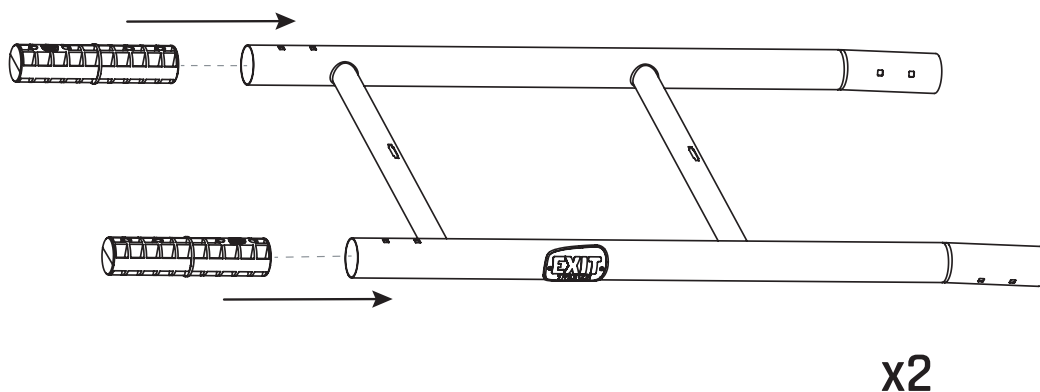
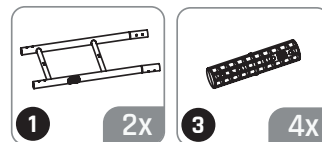


13

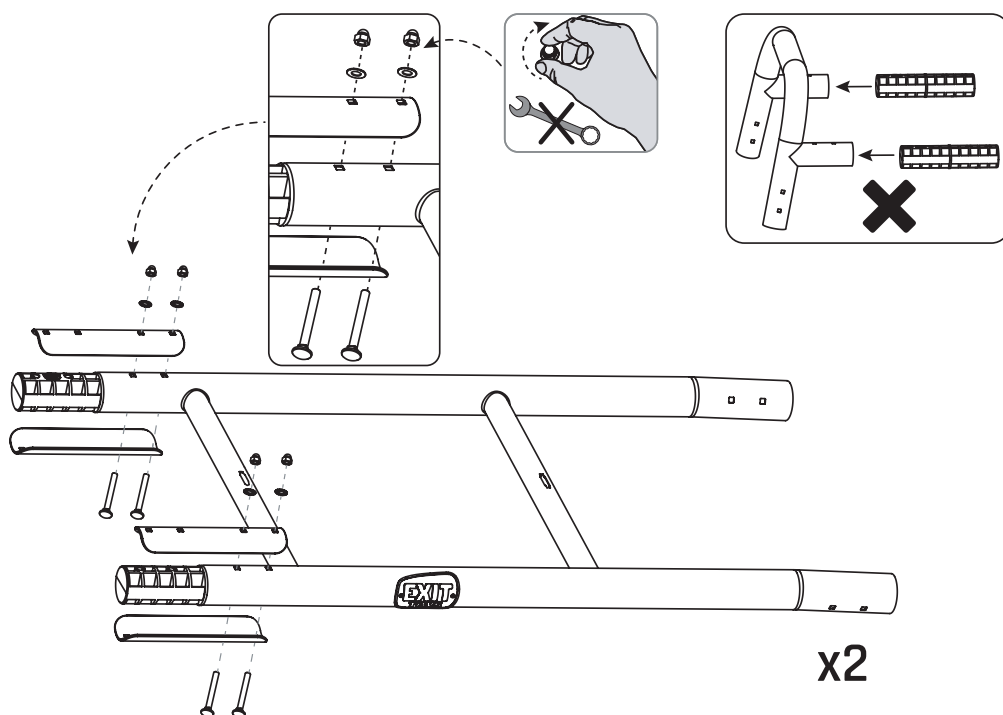
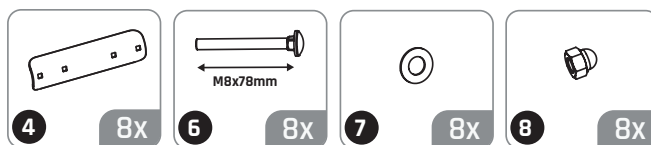
NOT INCLUDED



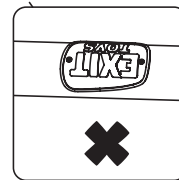
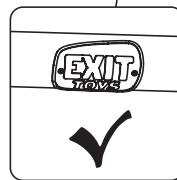
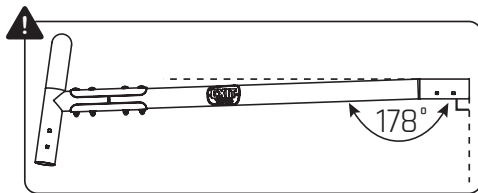
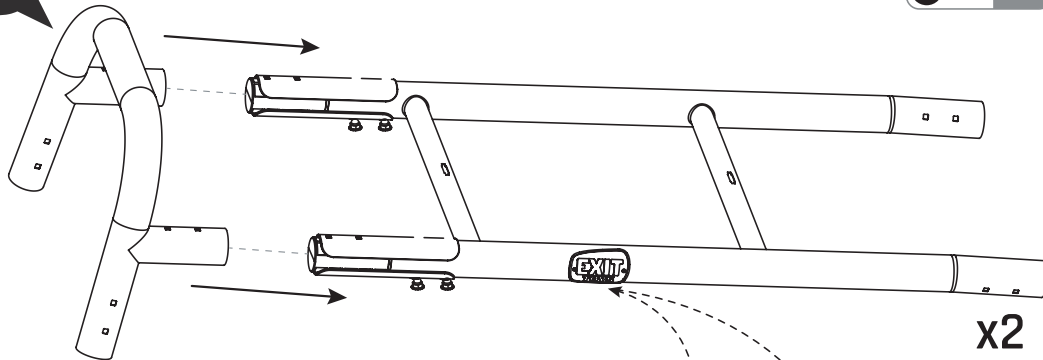
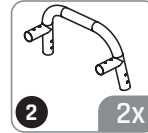
1



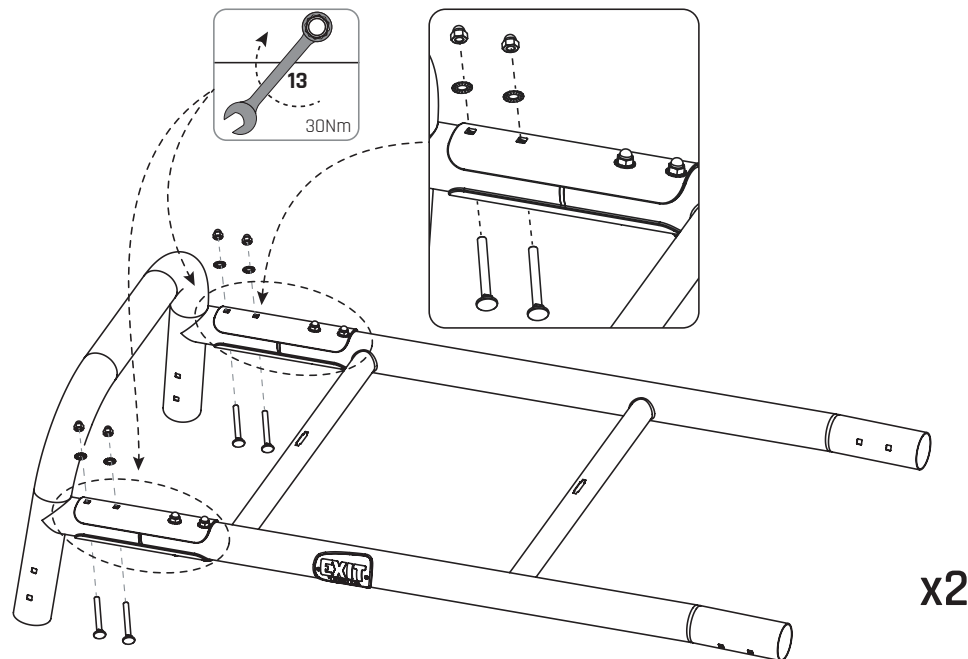
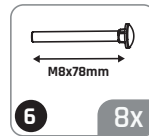
2



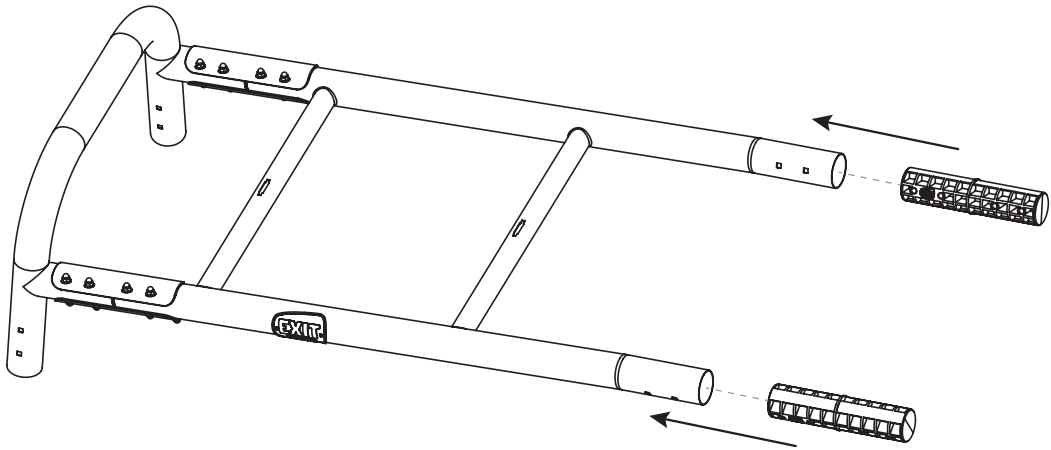
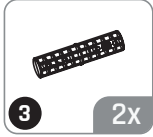
3



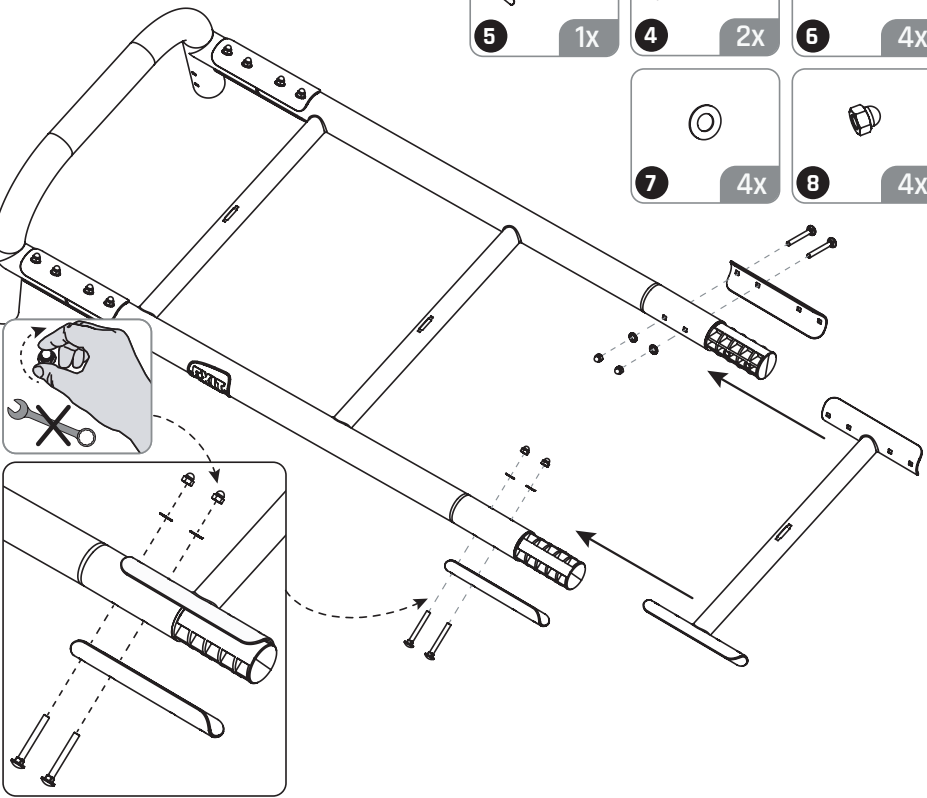
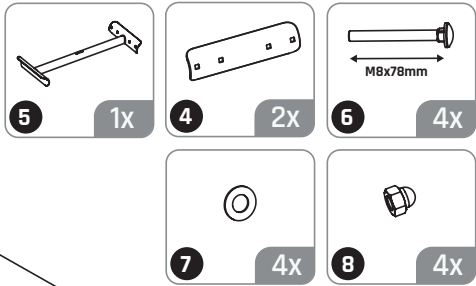
4



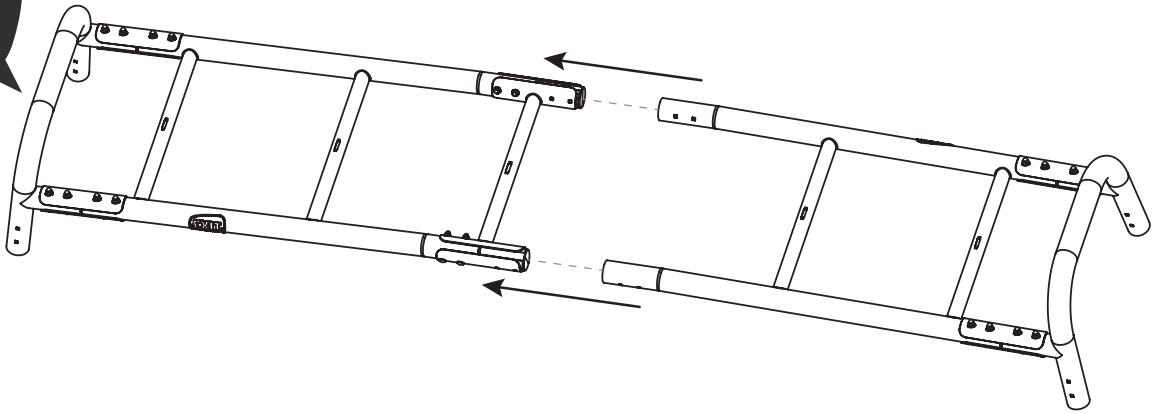
5



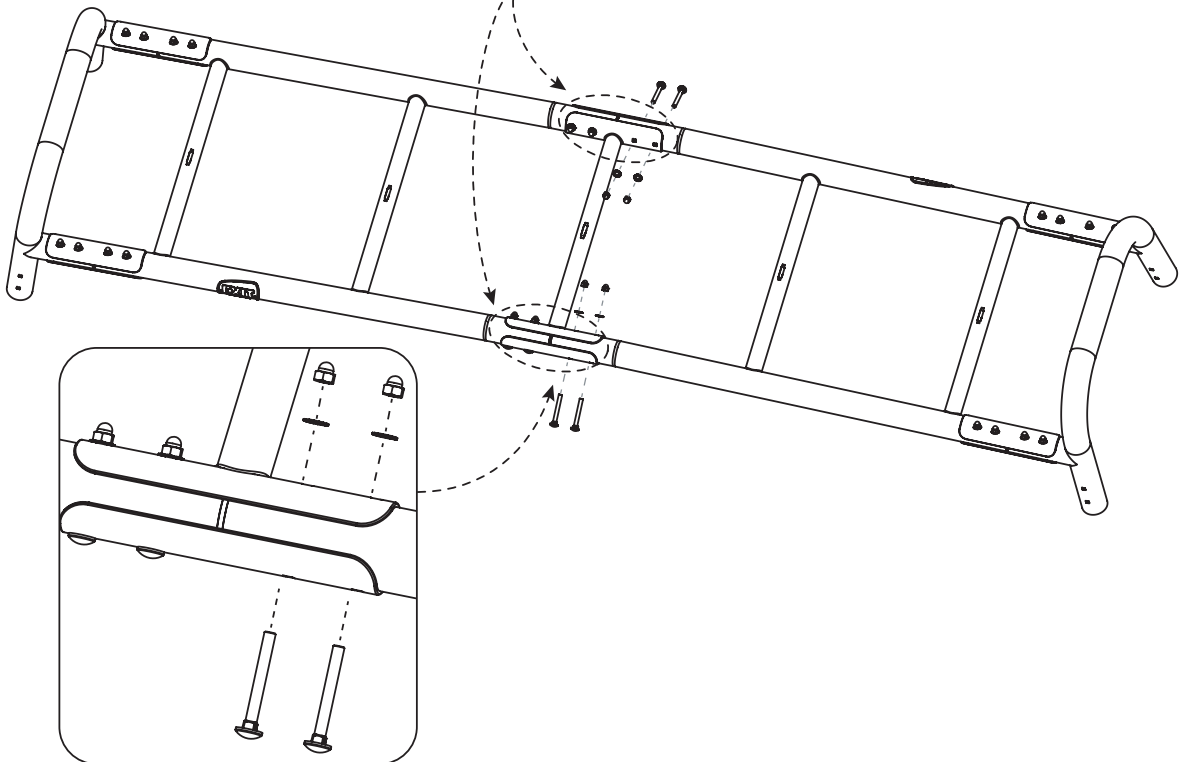
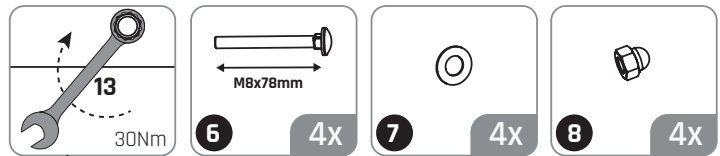
6



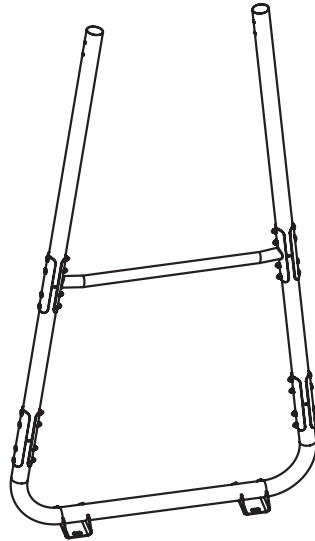
7



8







1



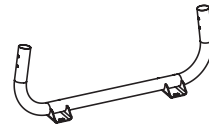
61.80.30.00 4X

2



61.80.30.10 6X

3



61.82.10.30 1X

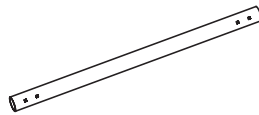
4



645mm

61.82.20.65 2X

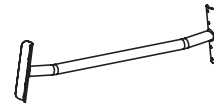
5



1060mm

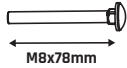
61.82.21.06 2X

9



54.90.17.00 1X

6



M8x78mm

M8x78mm 16X

7



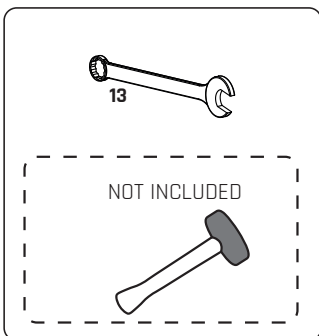
M8 16X

8

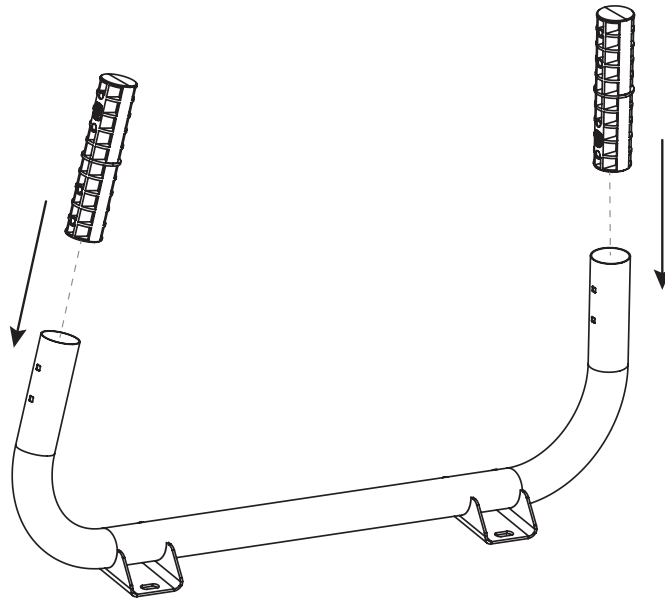
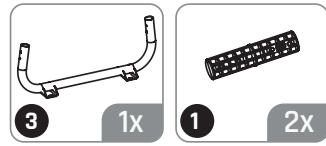


M8 16X

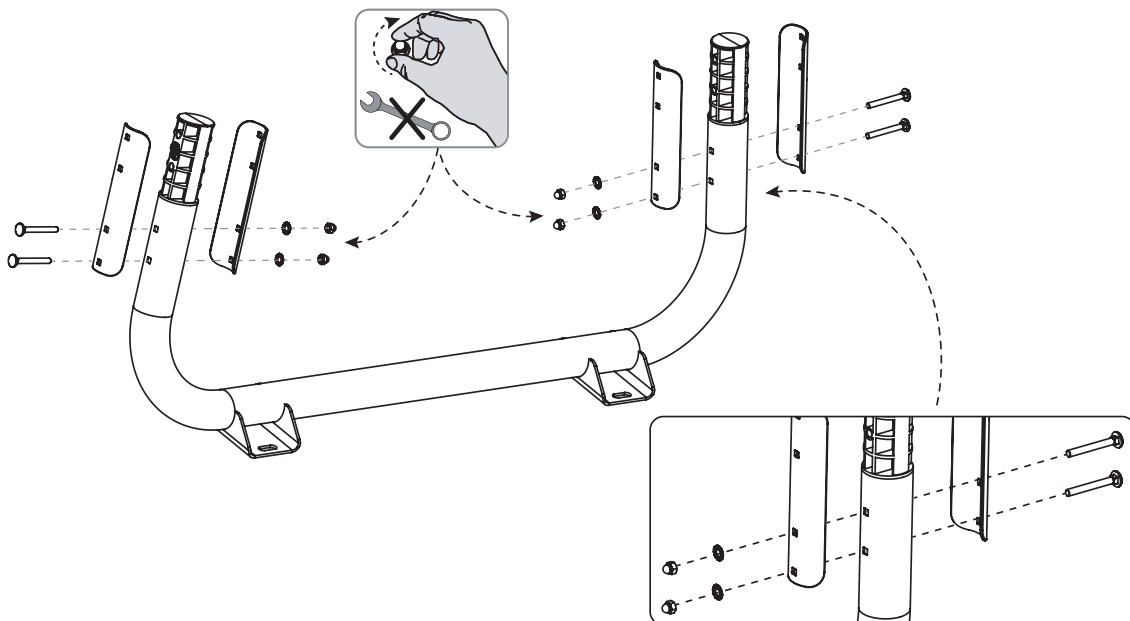
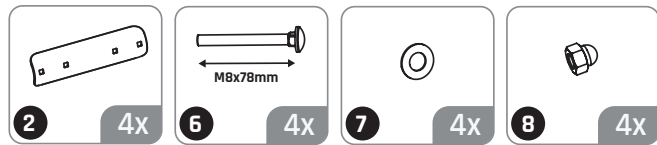
61.82.40.40 1X



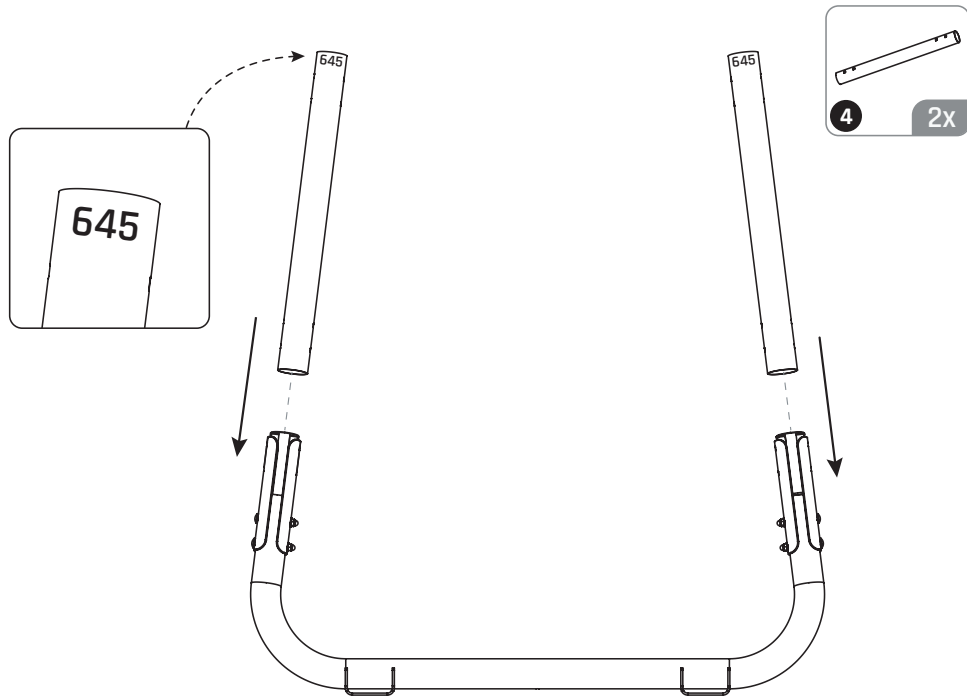
1



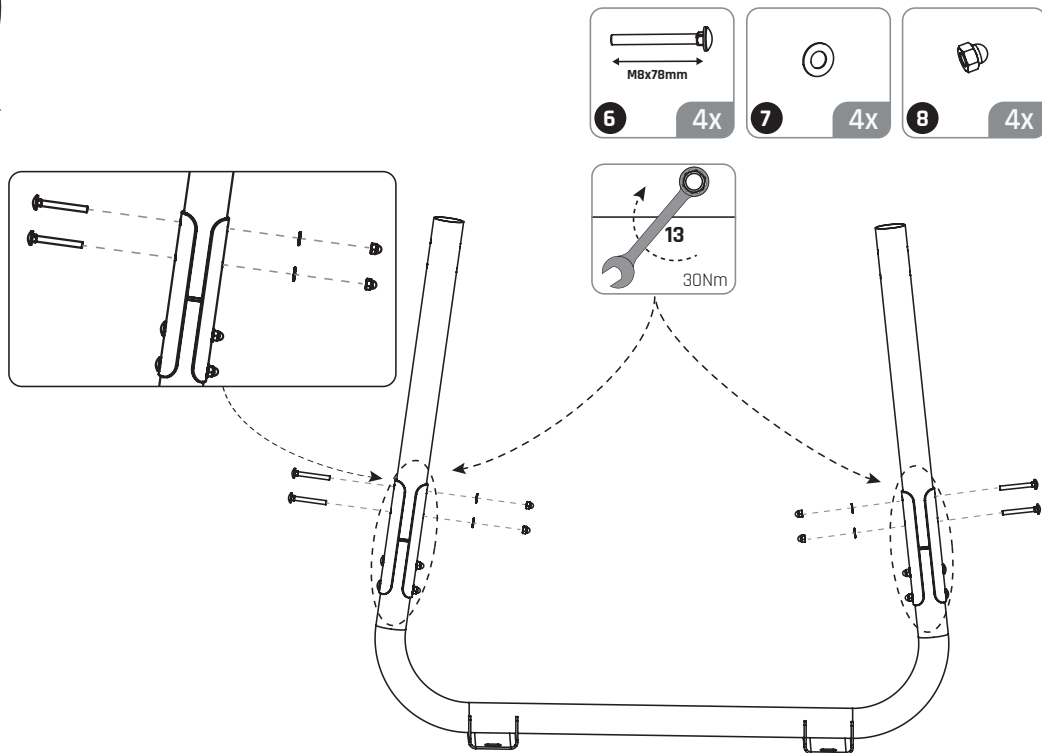
2



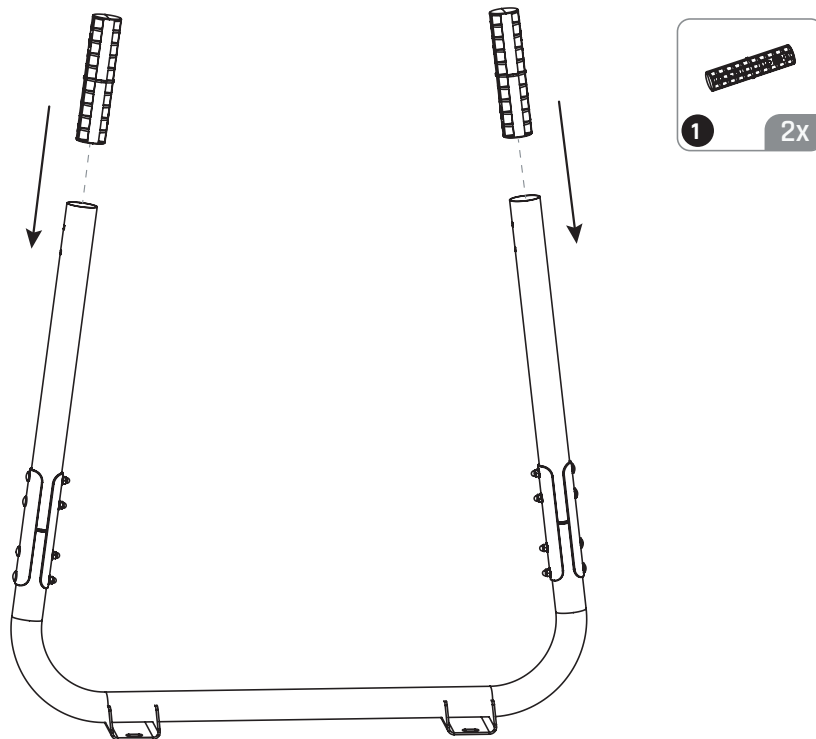
3



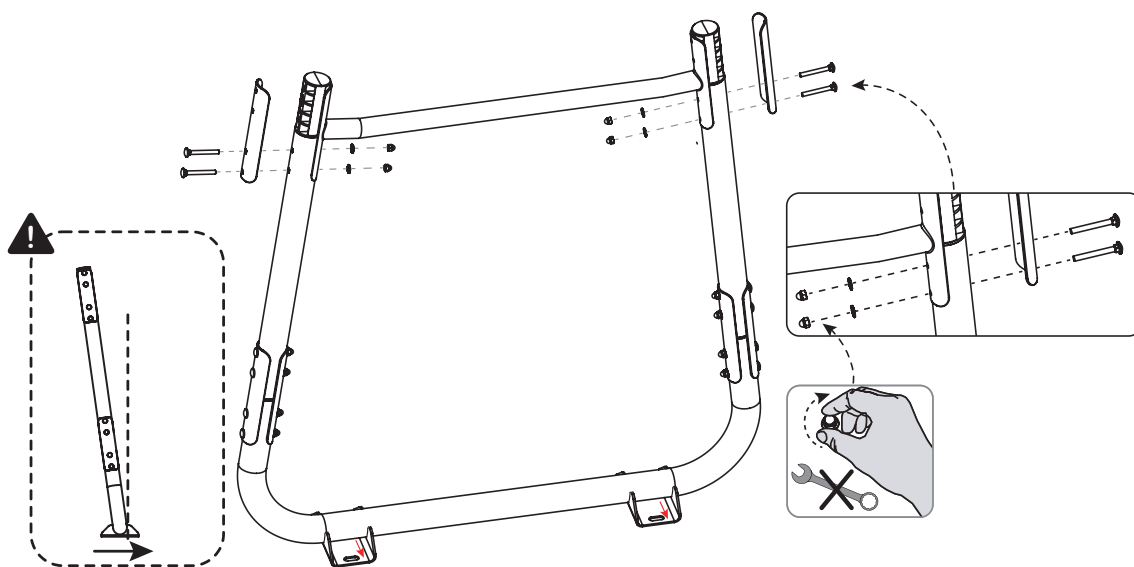
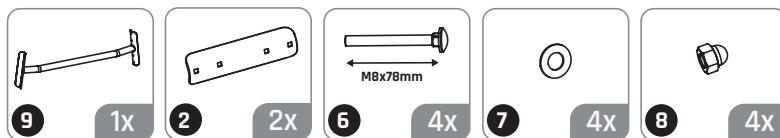
4



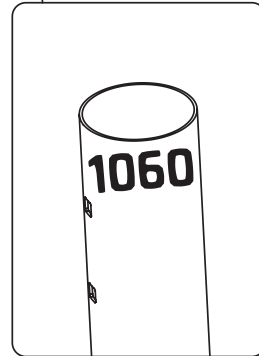
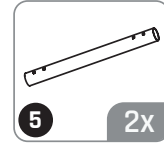
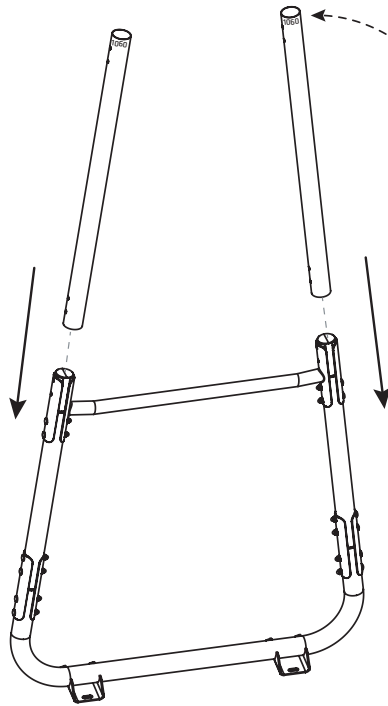
5



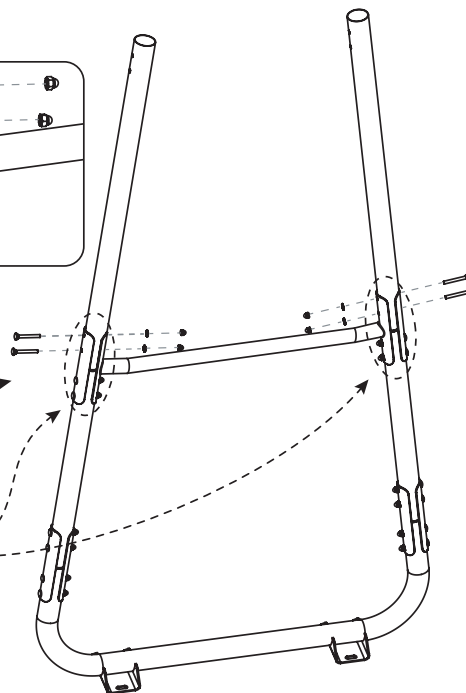
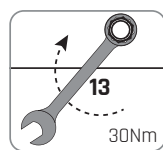
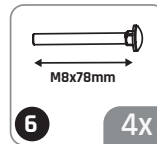
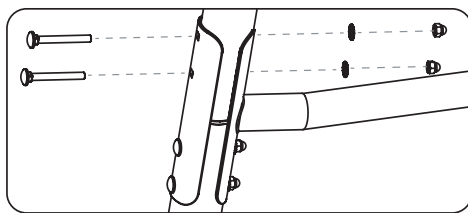
6



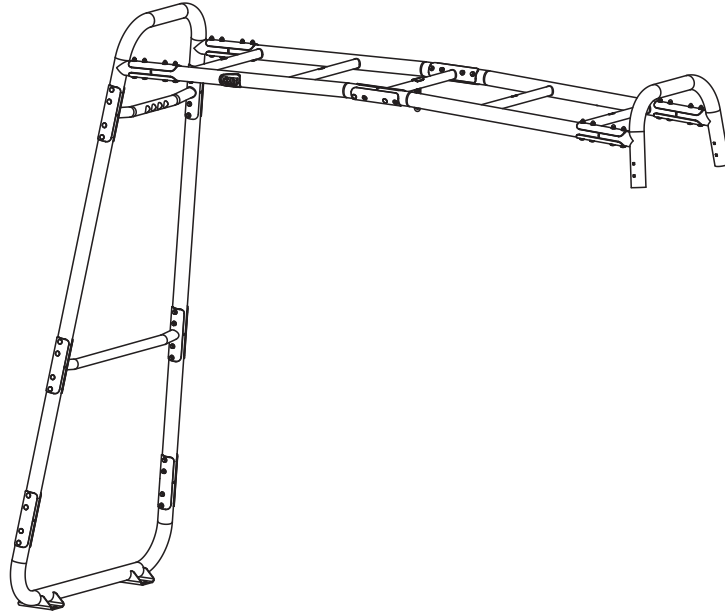
7



8





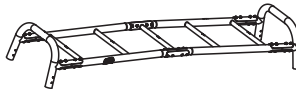


1



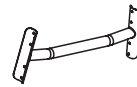
1X

2



1X

3



61.82.10.40 1X

4



61.80.30.10 2X

5



61.80.30.00 2X

9

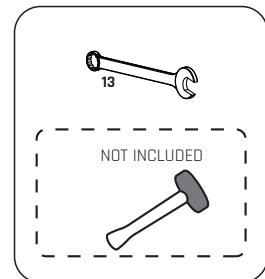


61.80.30.40 1X

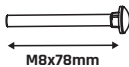
10



61.80.30.50 1X



6



M8x78mm 8X

7



M8 8X

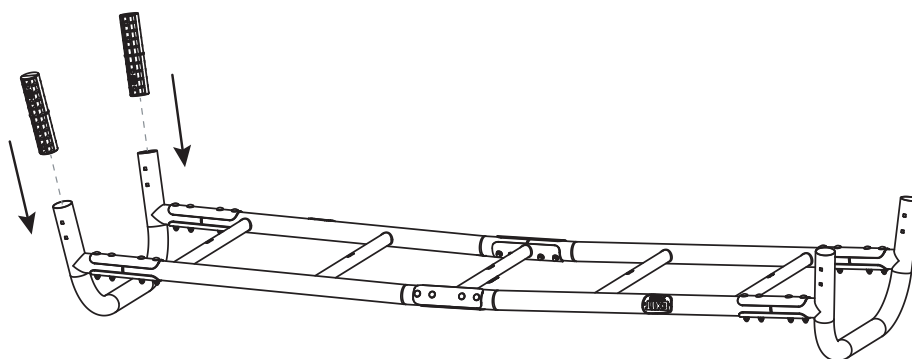
8



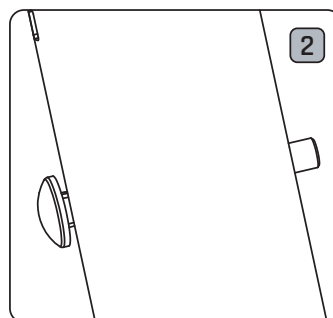
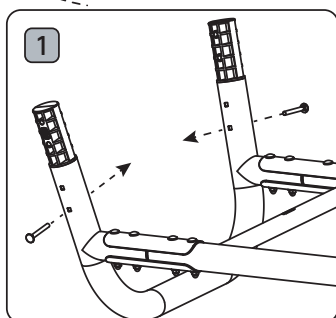
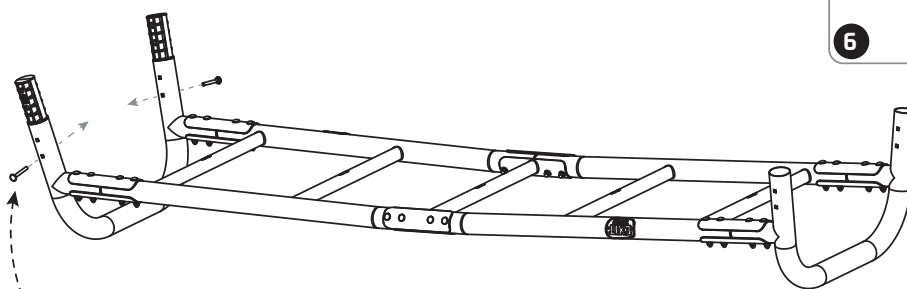
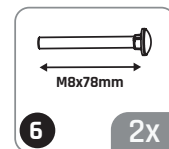
M8 8X

61.82.40.40 1X

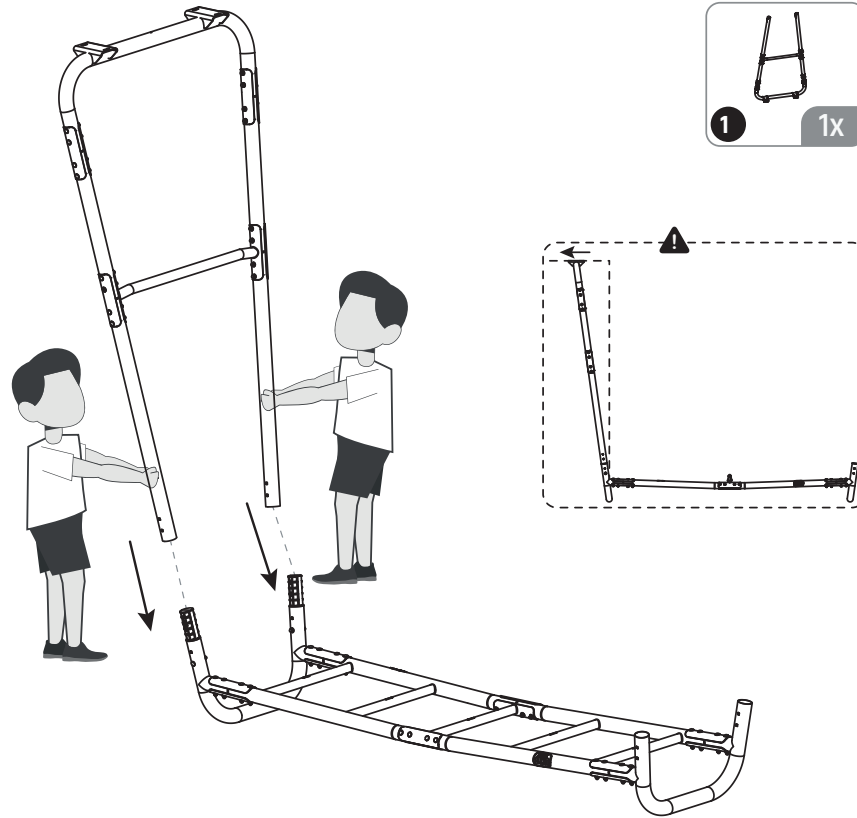
1



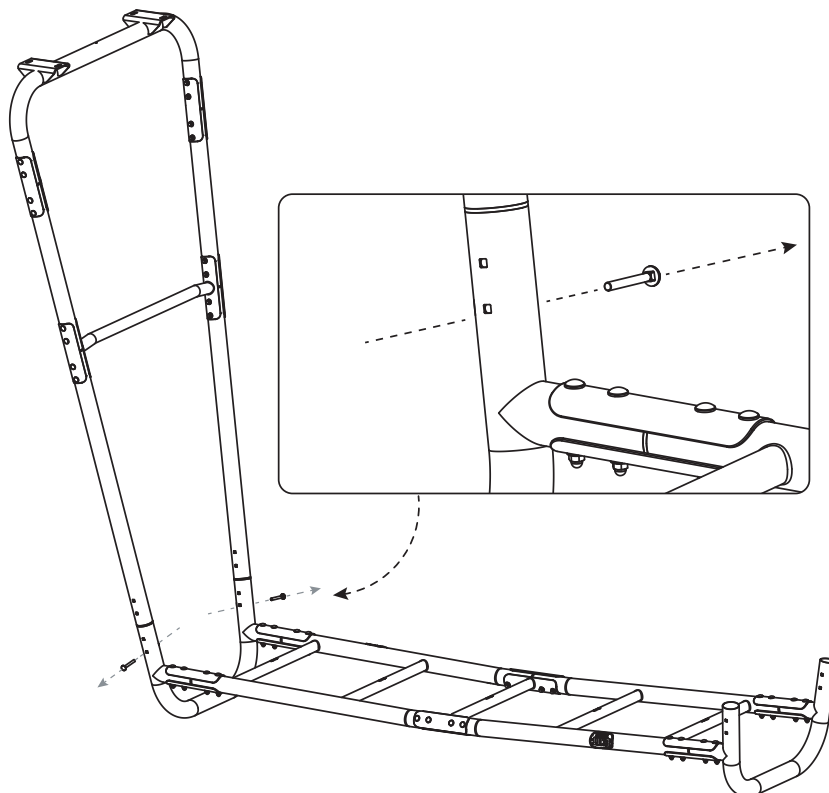
2



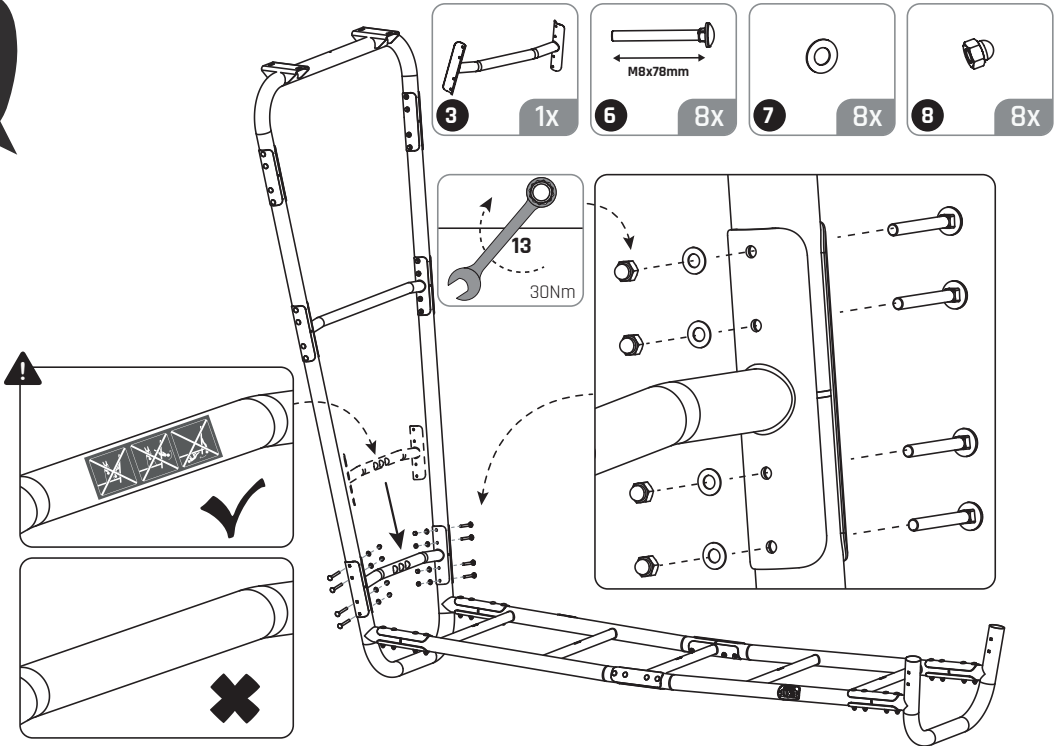
3



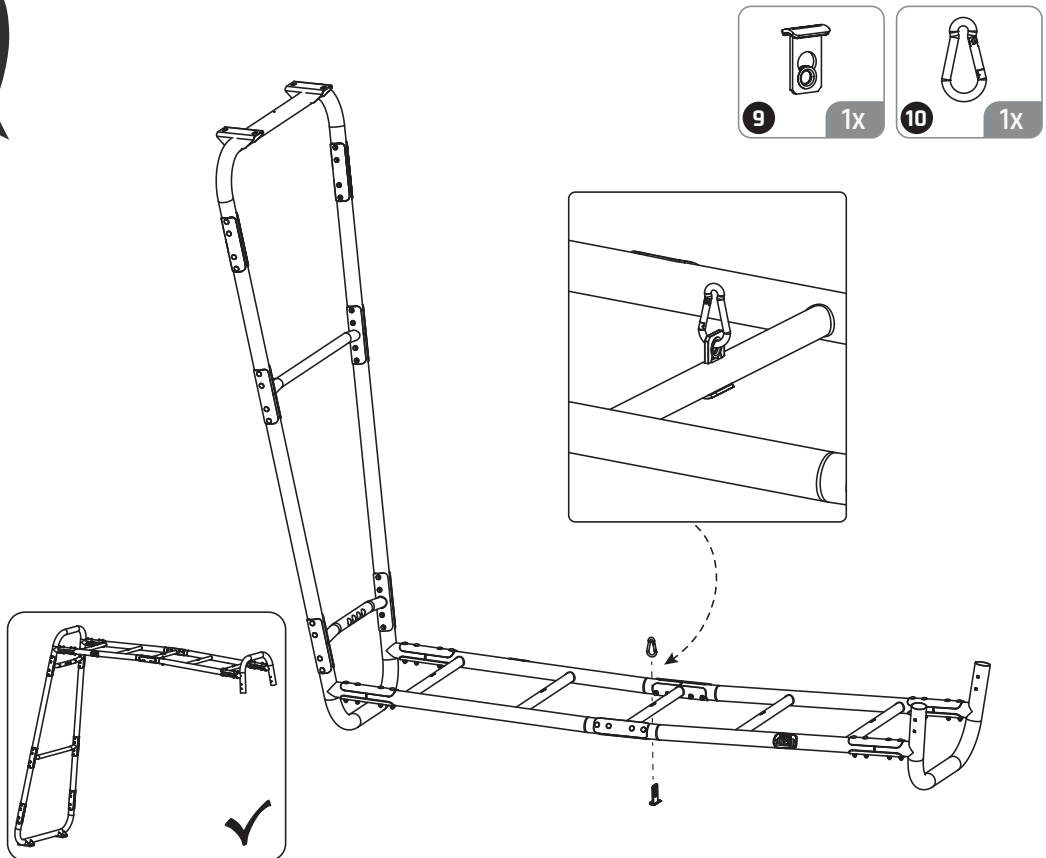
4



5

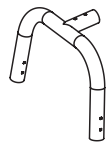


6





1



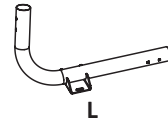
61.86.10.30 2X

2



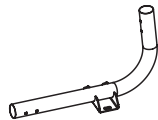
61.86.10.40 1X

3



61.86.10.10 1X

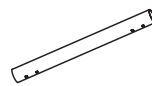
4



R

61.86.10.20 1X

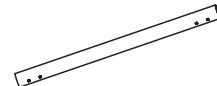
5



645mm

61.86.20.65 2X

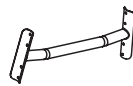
6



892mm

61.86.20.89 4X

7



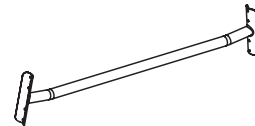
61.82.10.40 1X

8



54.90.16.00 2X

9



54.90.11.00 1X

11



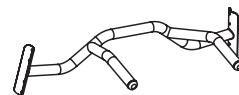
61.80.30.10 16X

12



61.80.30.00 11X

10

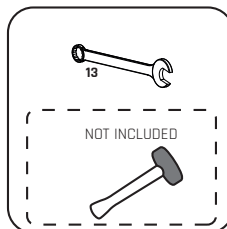


54.90.10.00 1X

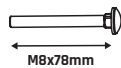
13



61.80.30.55 2X



14



M8x78mm

M8x78mm 44X

15



M8 44X

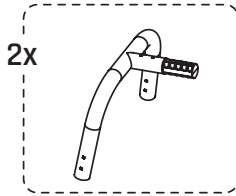
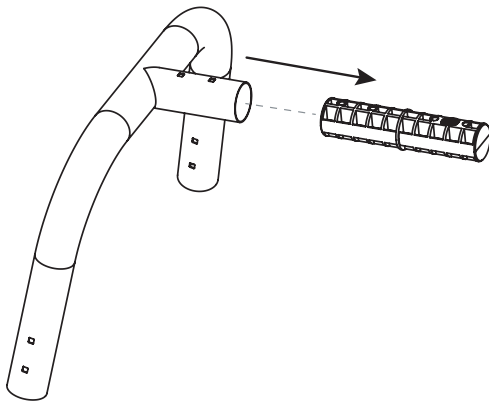
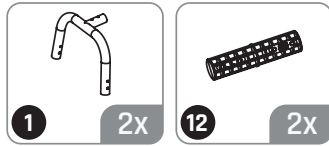
16



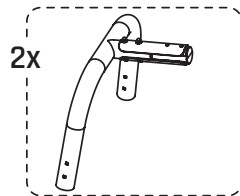
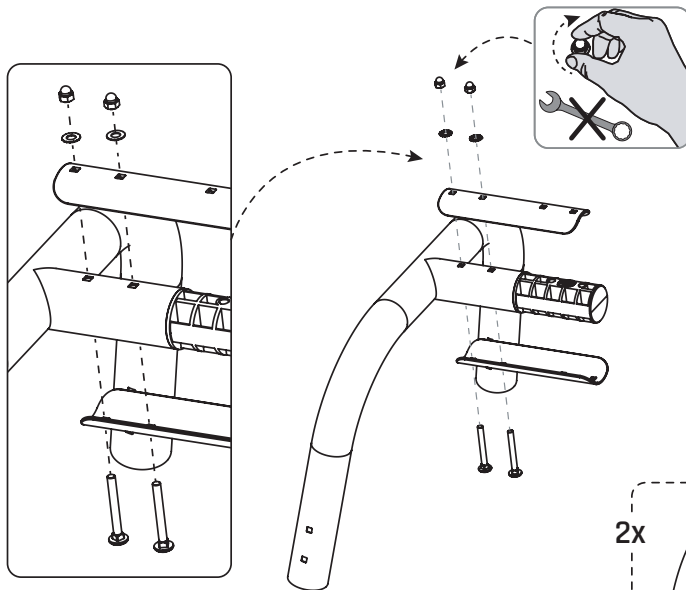
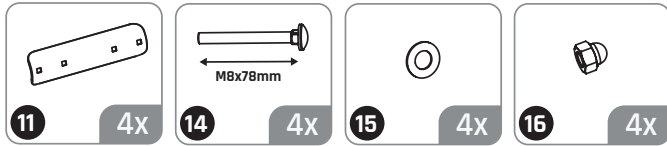
M8 44X

61.86.40.10 1X

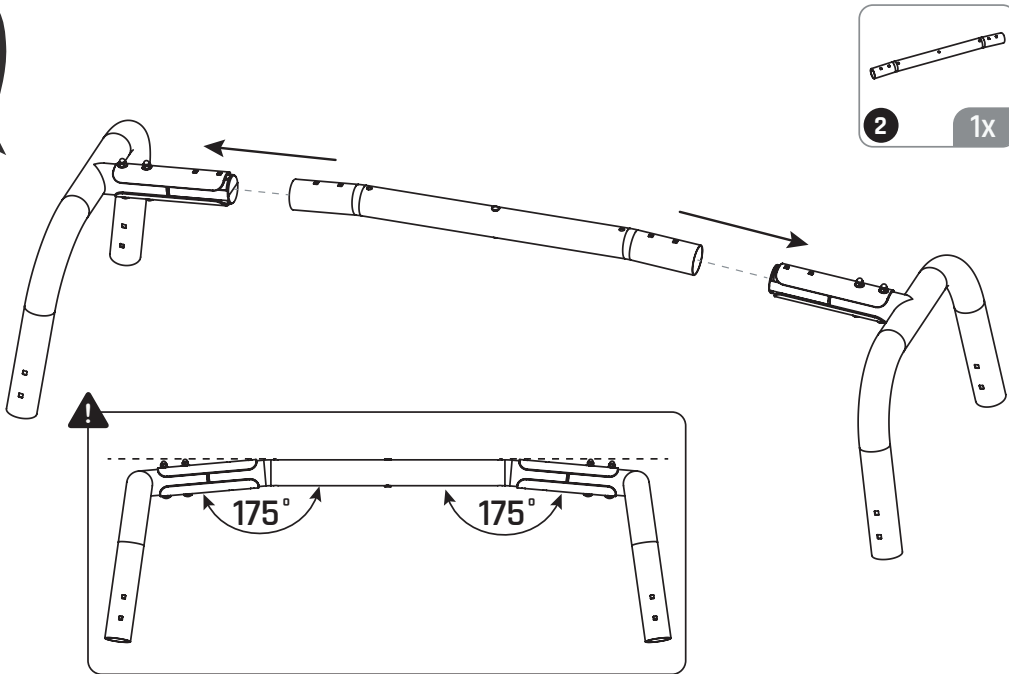
1



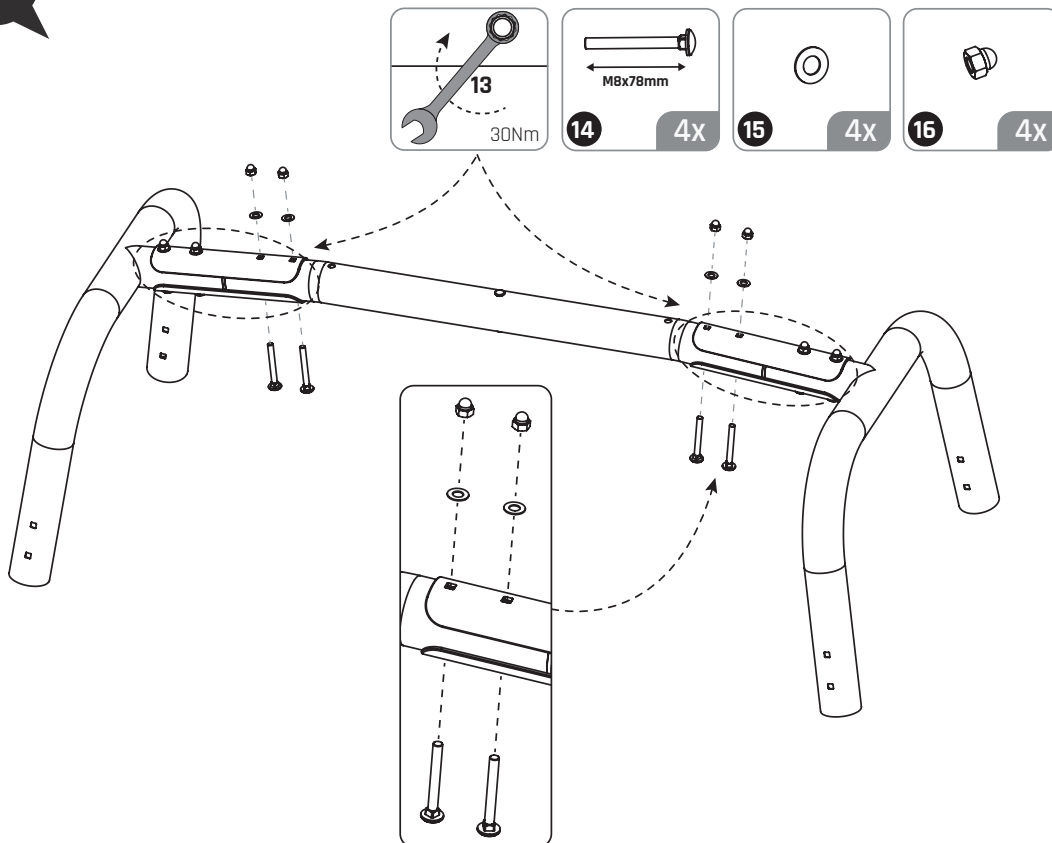
2



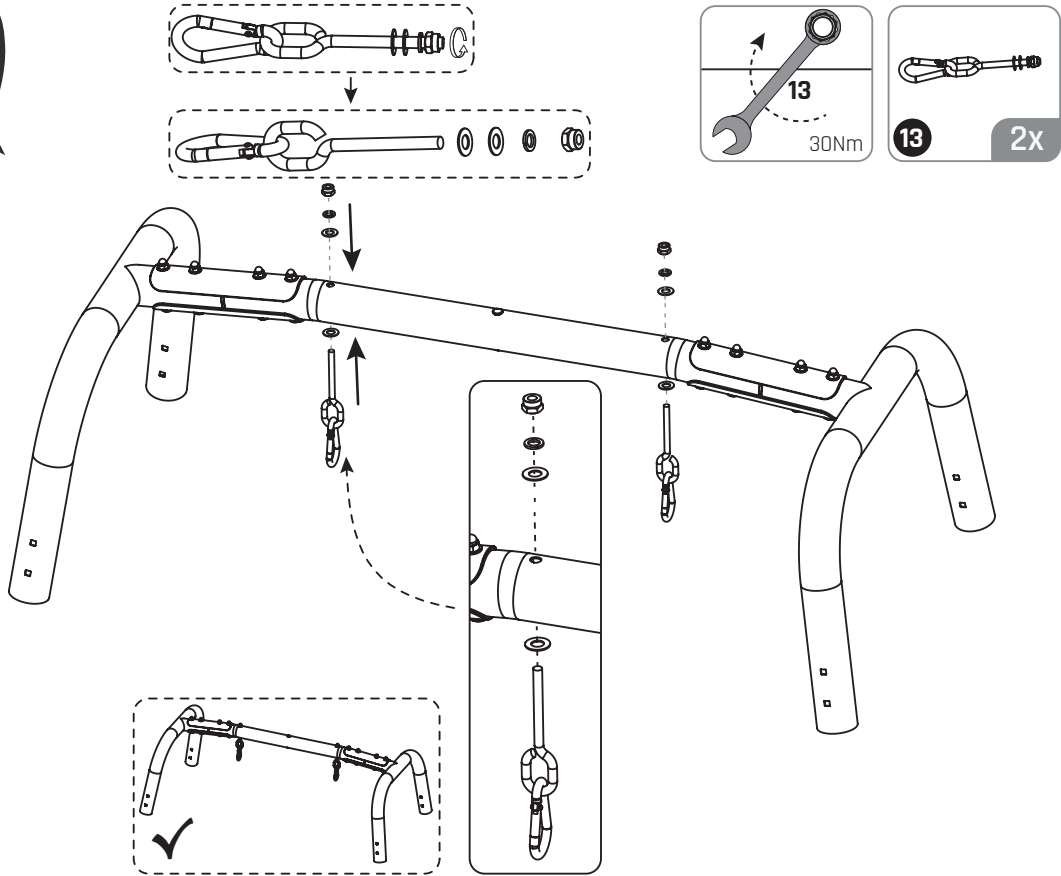
3



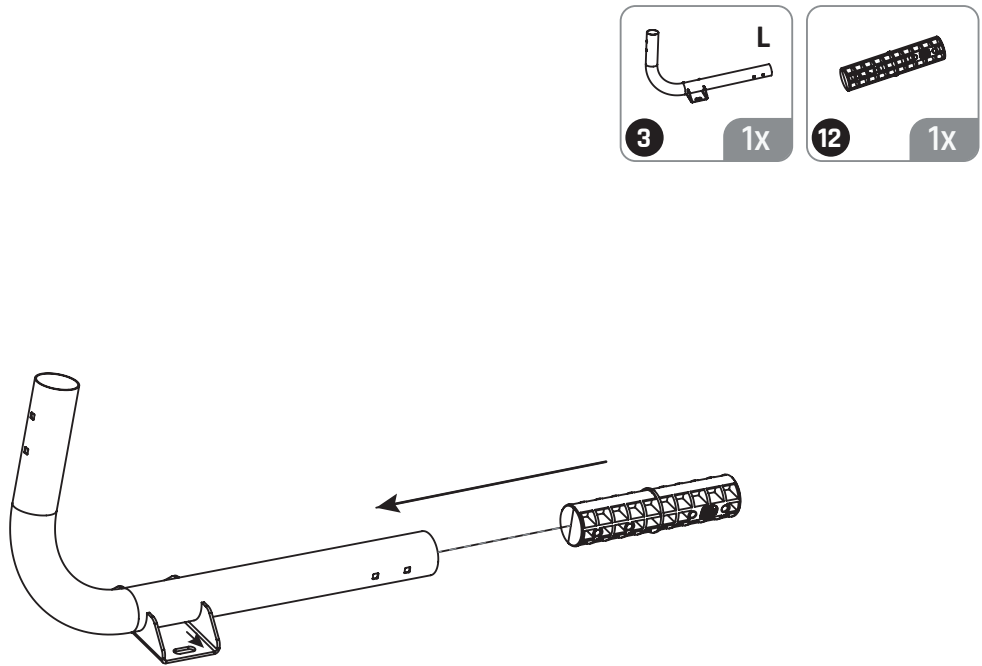
4



5

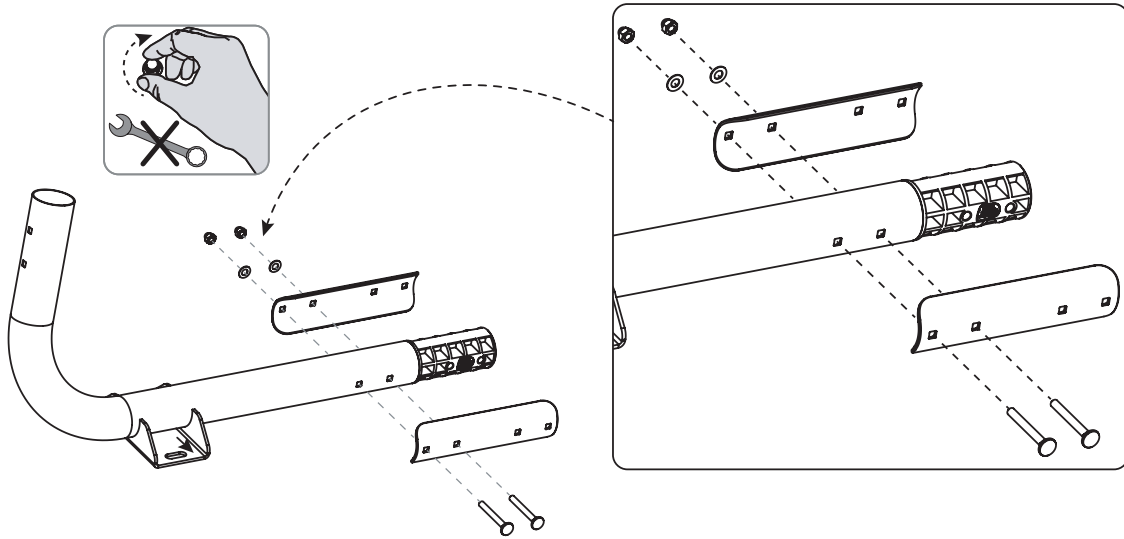


6



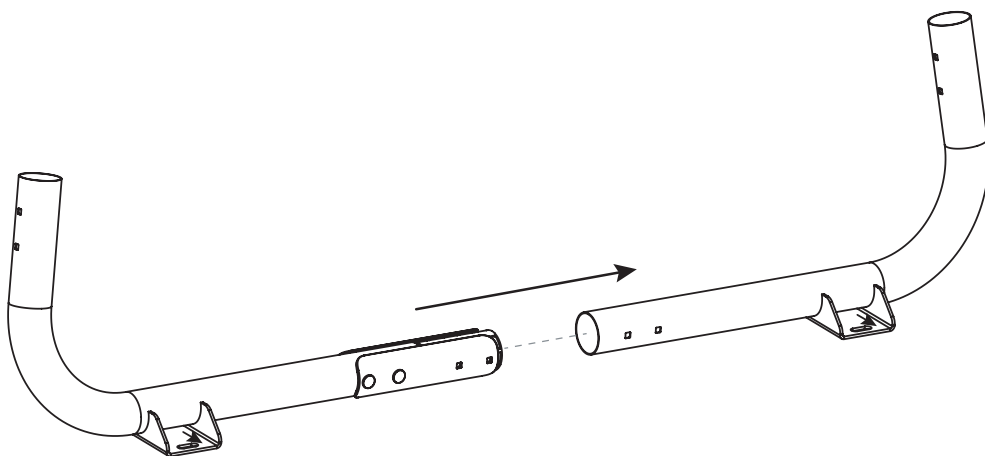
7

- 11 2x
- 14 M8x78mm 2x
- 15 2x
- 16 2x



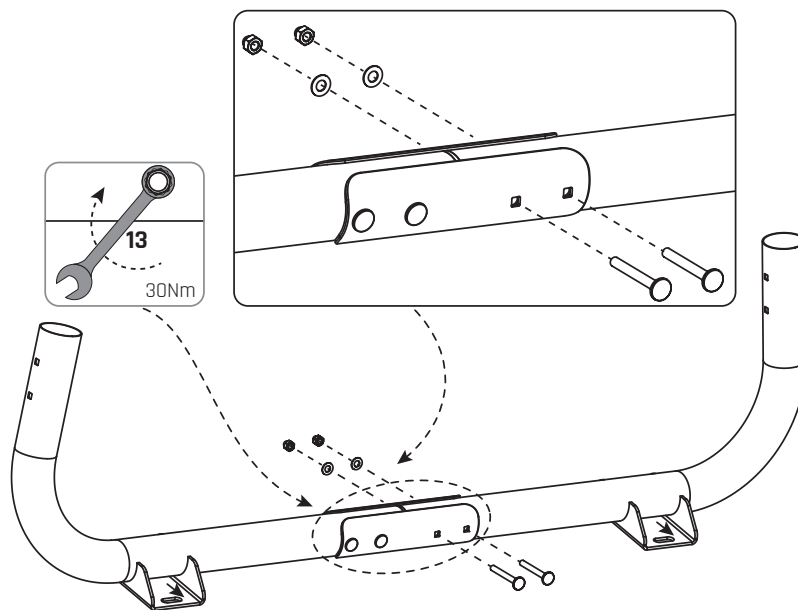
8

- R
- 4 1x



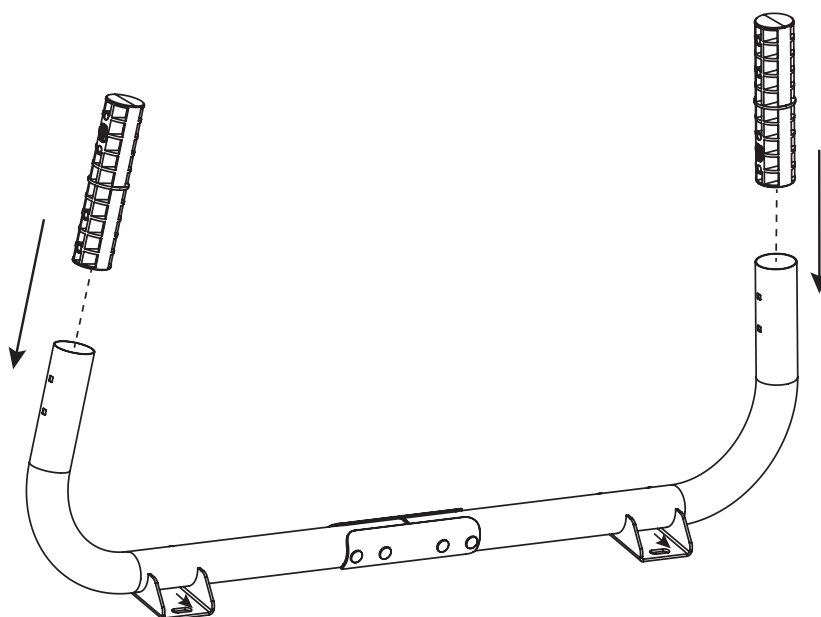
9

-  M8x78mm **14** 2x
-  **15** 2x
-  **16** 2x

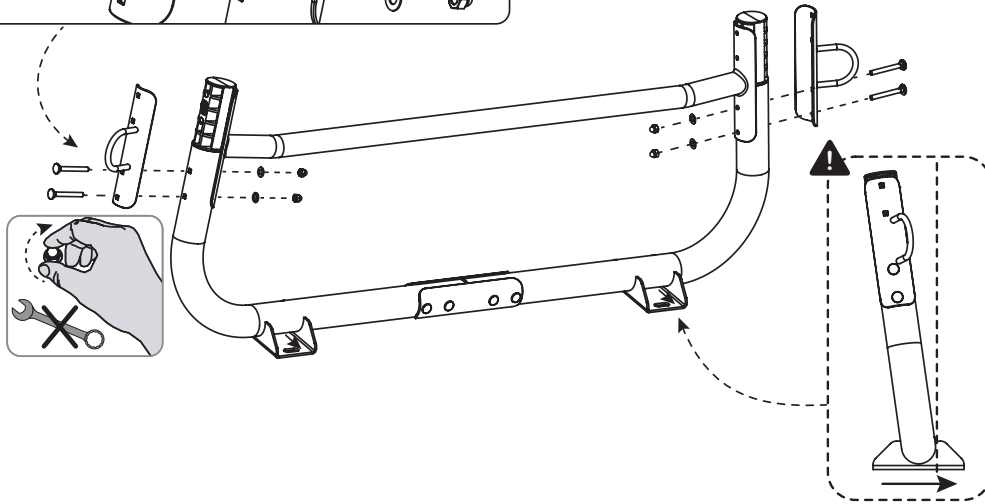
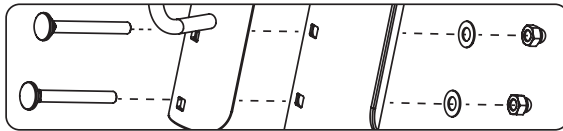
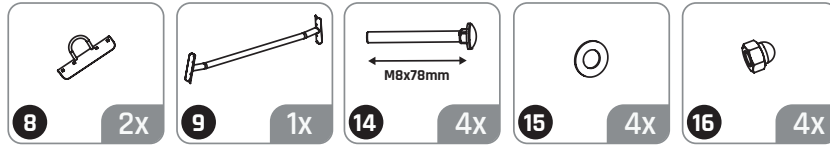


10

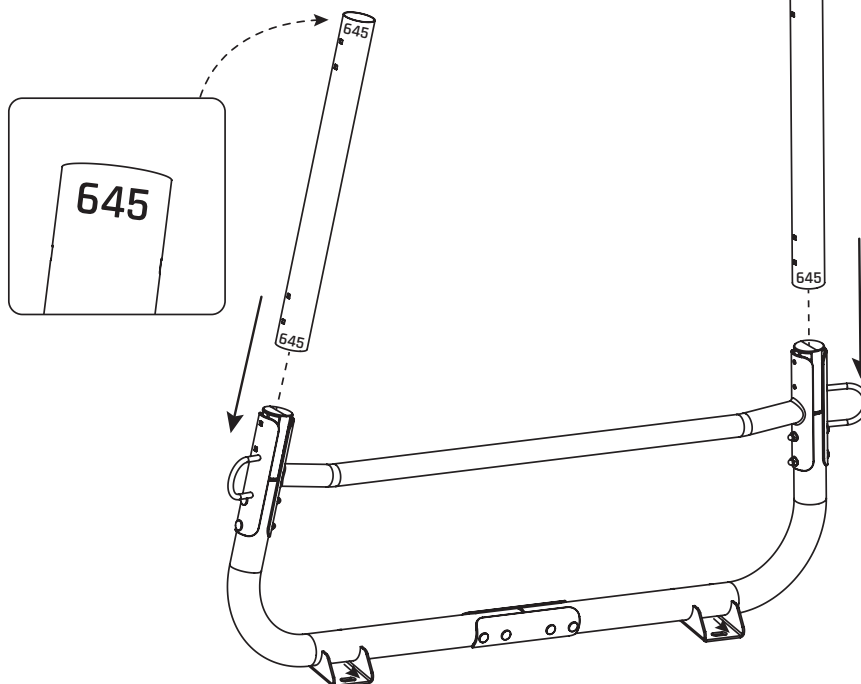
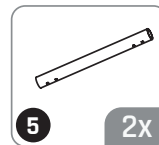
-  **12** 2x



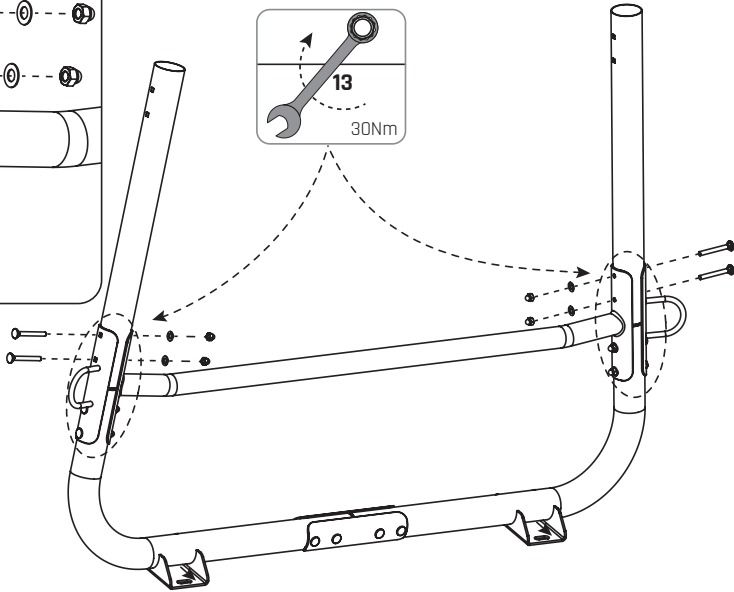
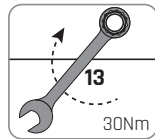
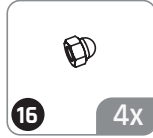
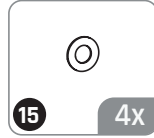
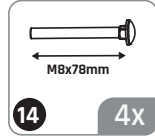
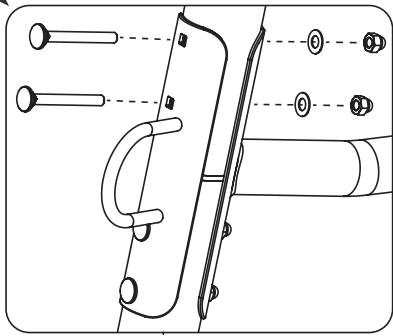
11



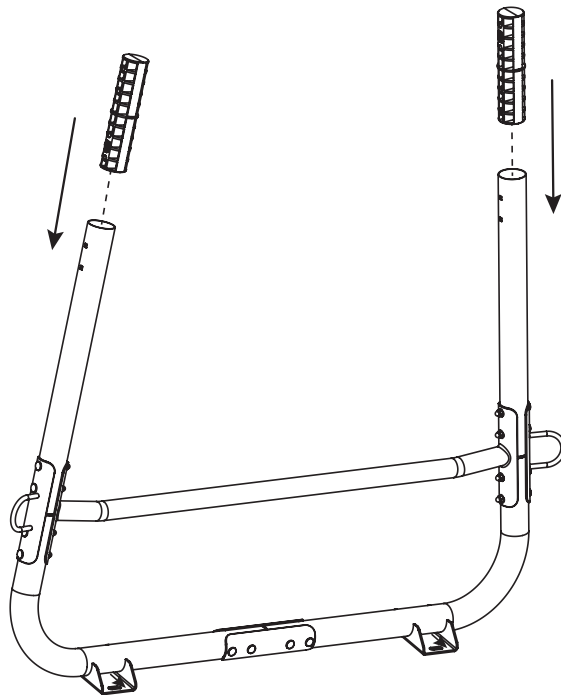
12



13

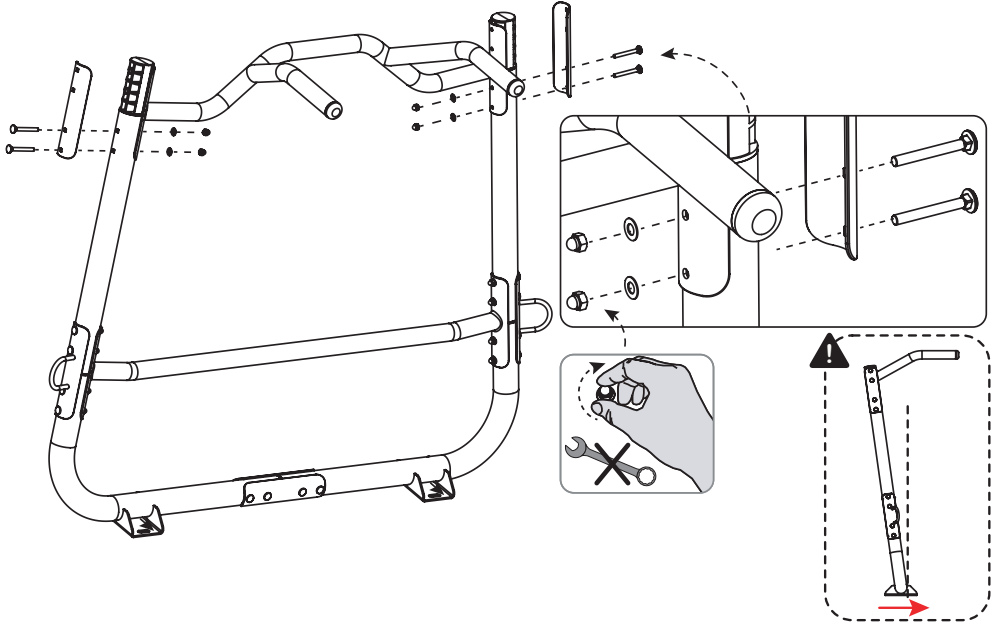


14



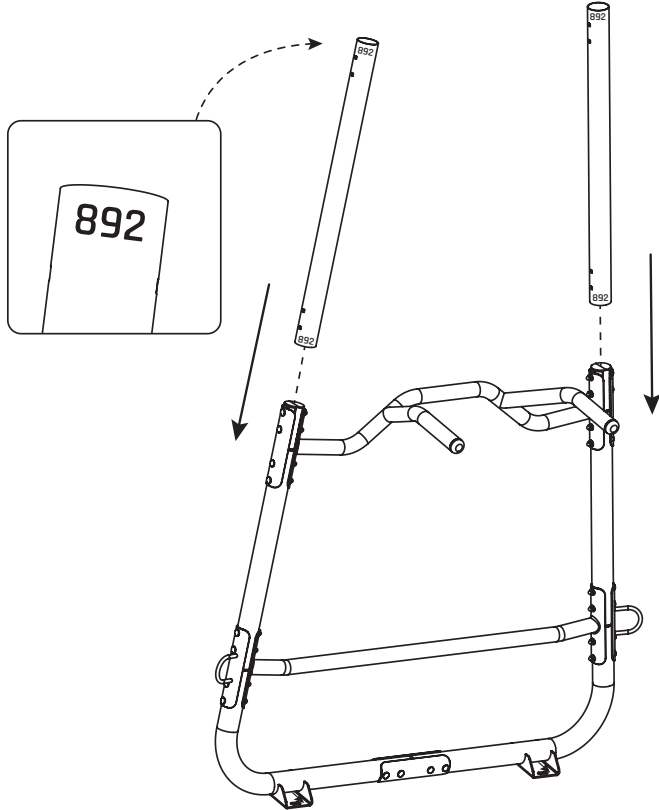
15

- 10 1x
- 11 2x
- 14 M8x78mm 4x
- 15 4x
- 16 4x

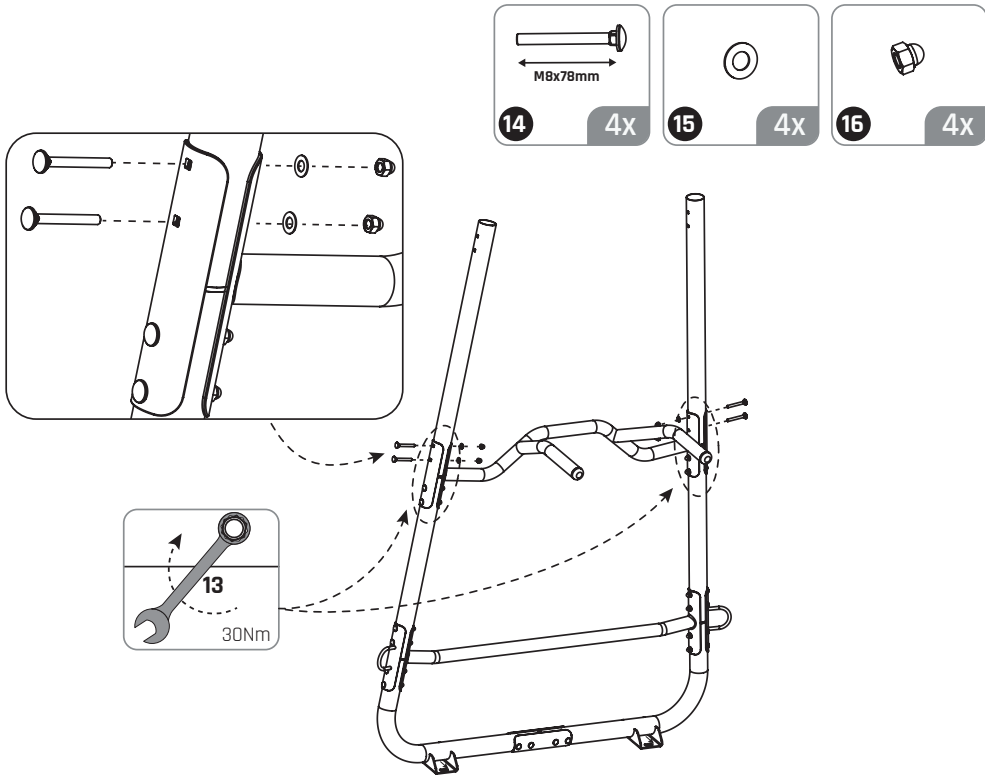


16

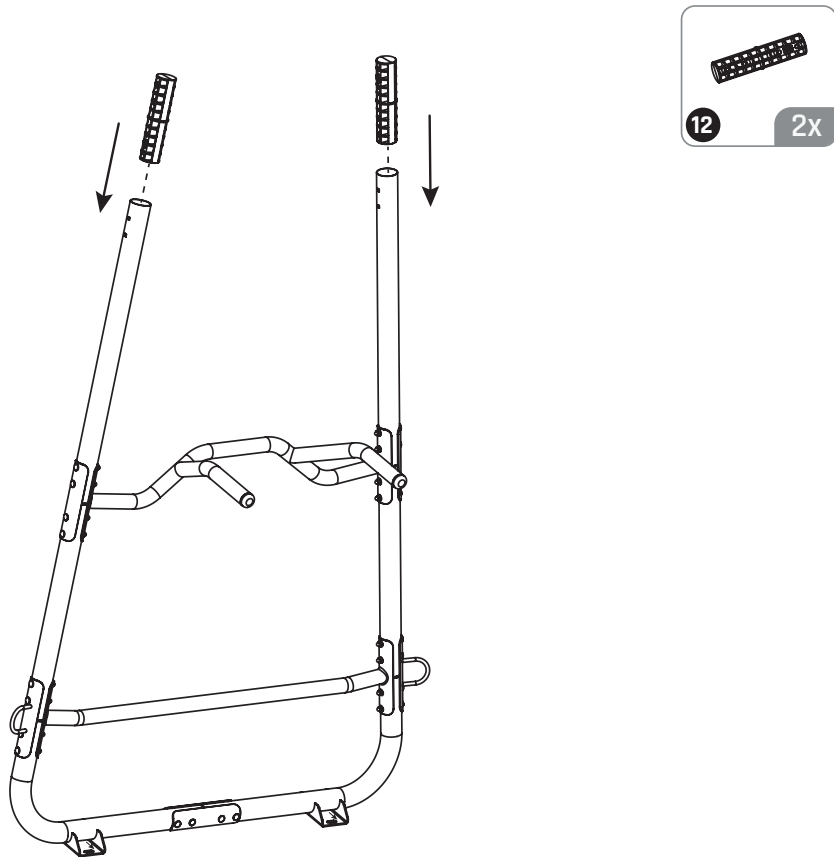
- 6 2x



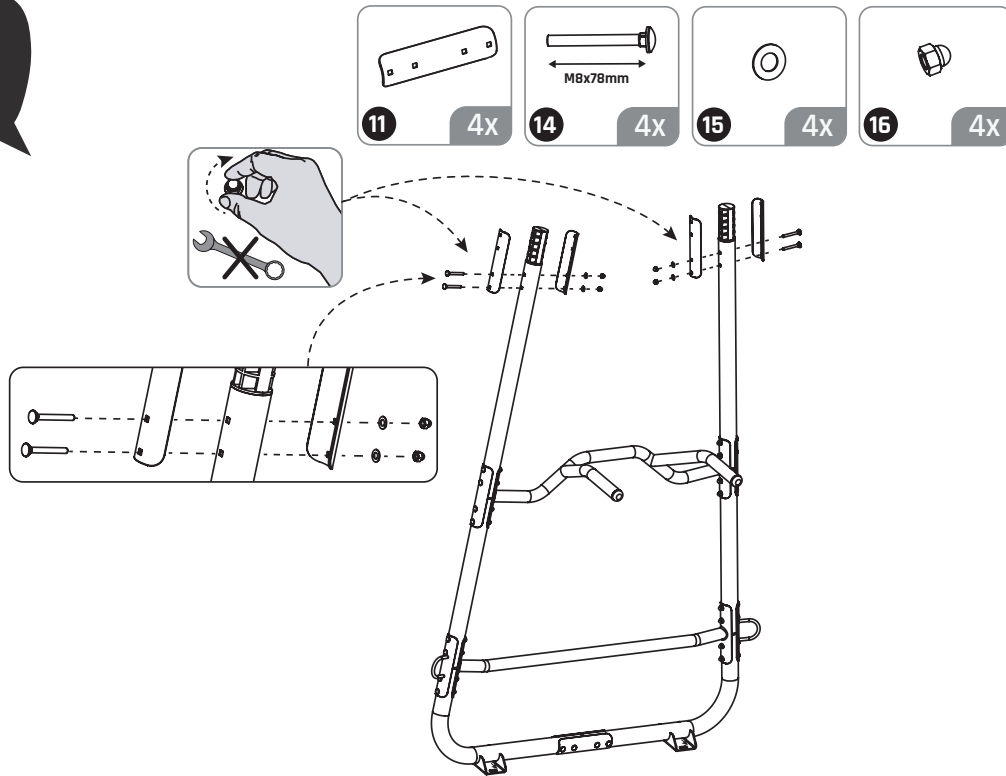
17



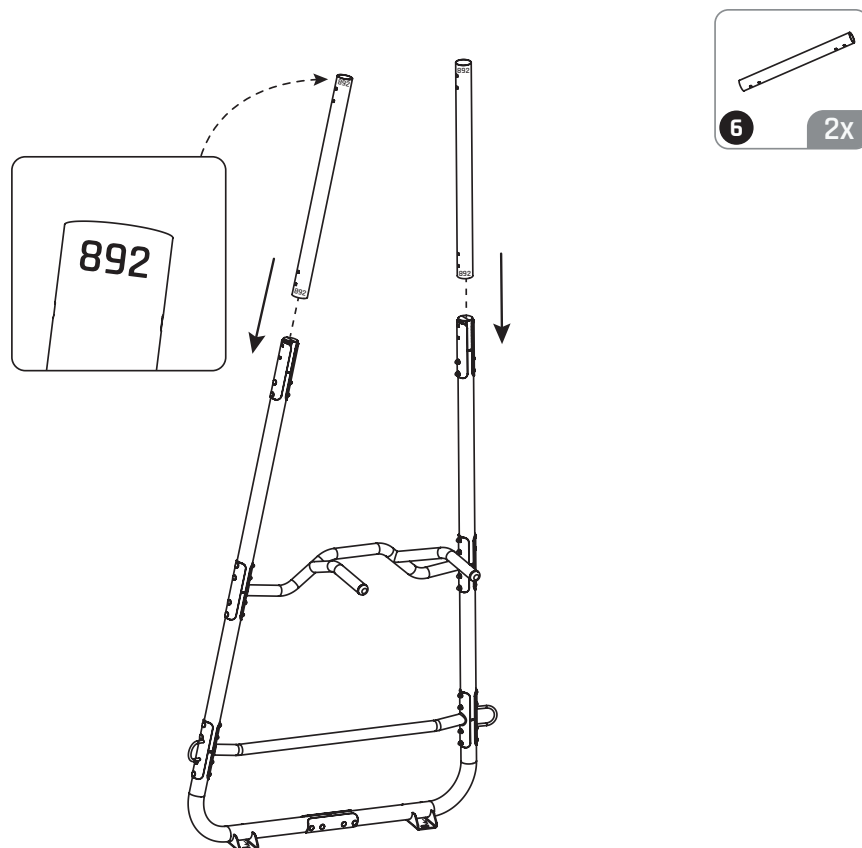
18



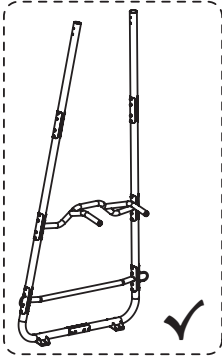
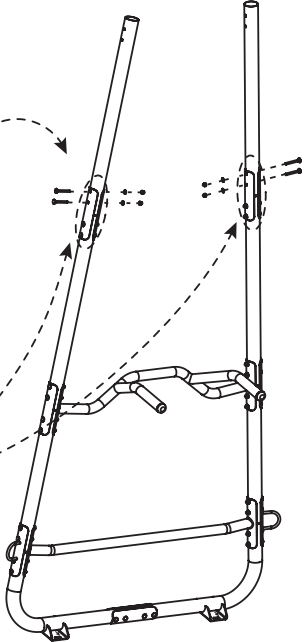
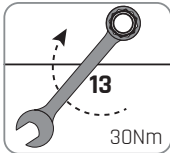
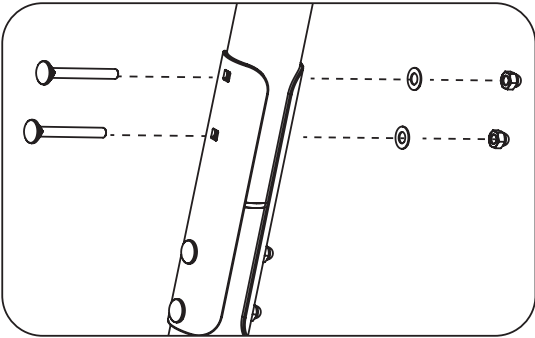
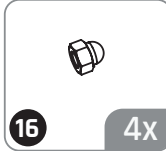
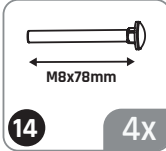
19



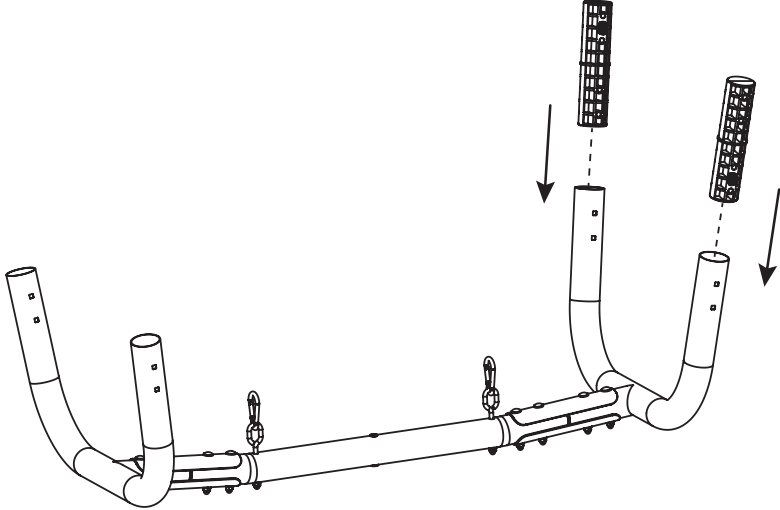
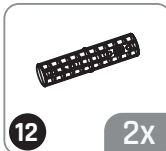
20



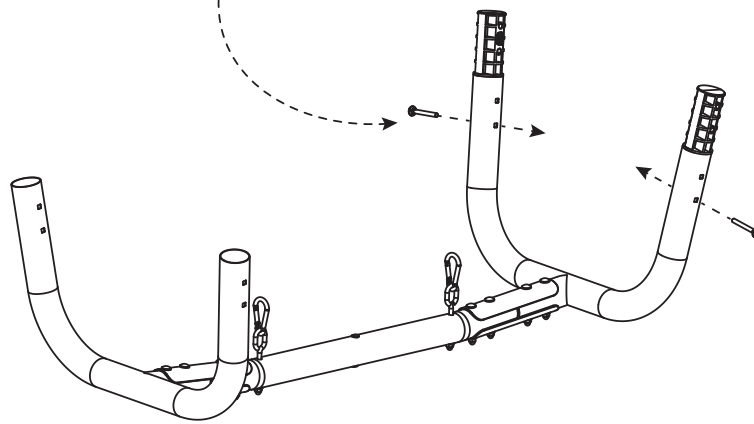
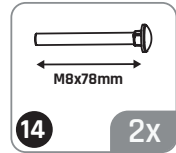
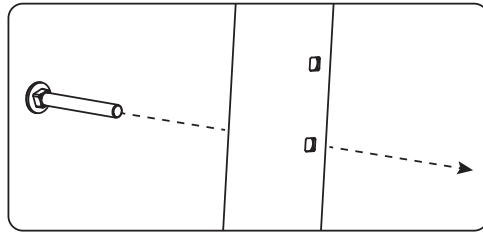
21



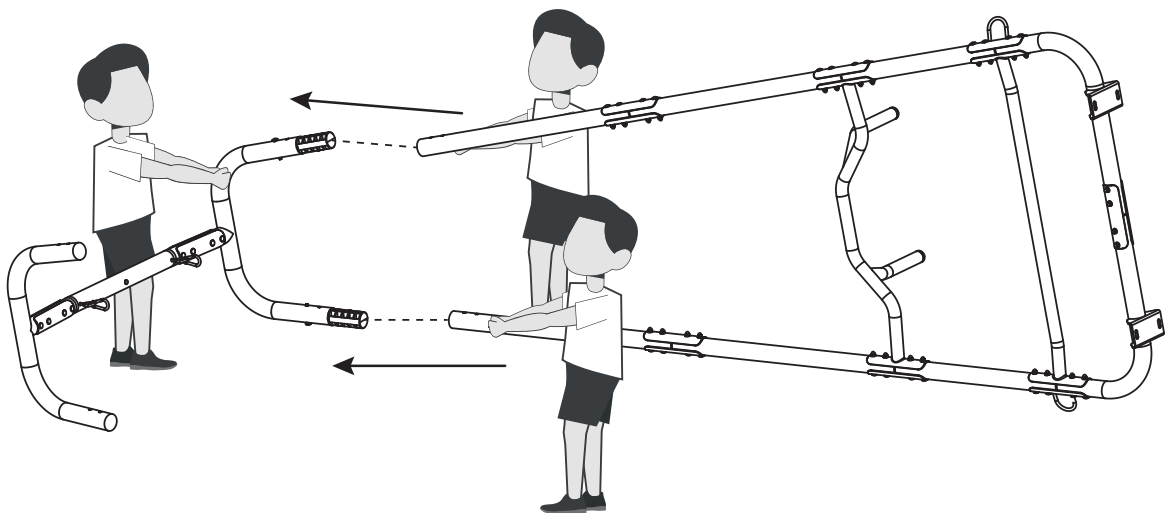
22



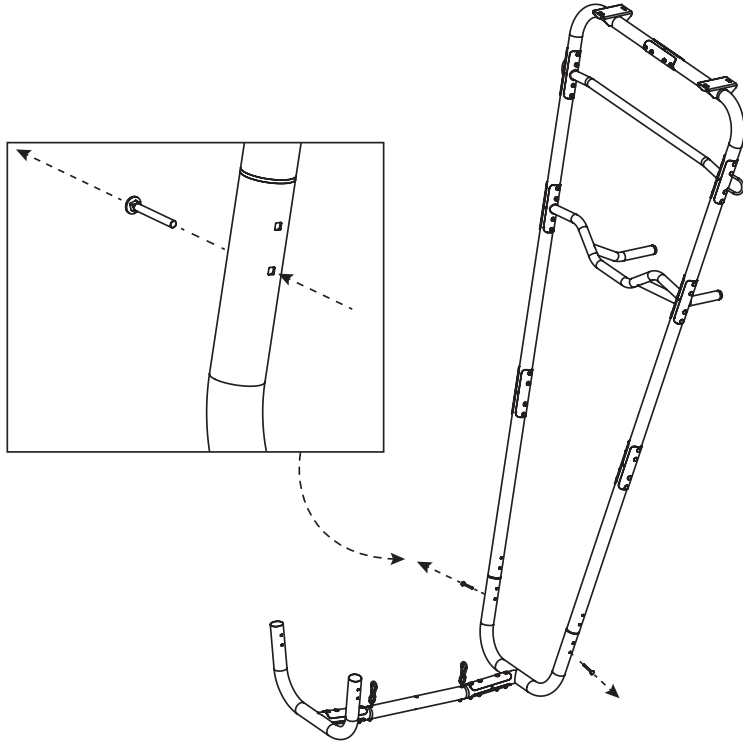
23



24

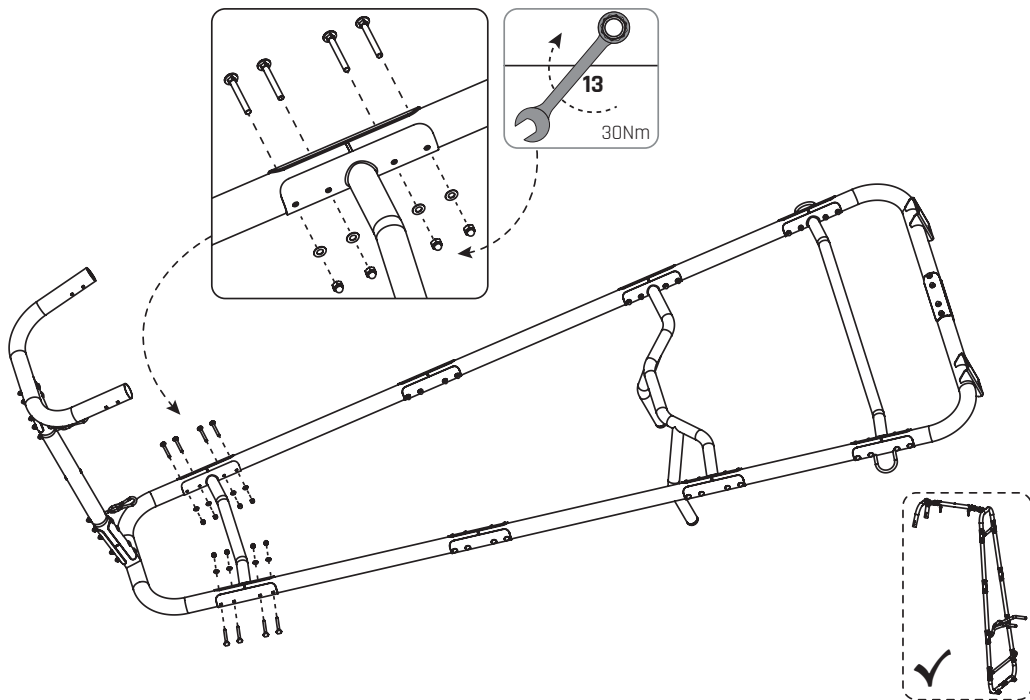


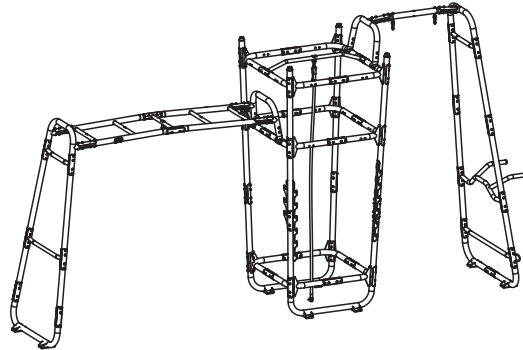
25



26

- 7** 1x
- 11** 2x
- 14** M8x78mm 8x
- 15** 8x
- 16** 8x



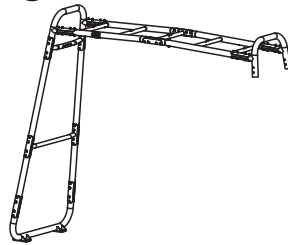


1



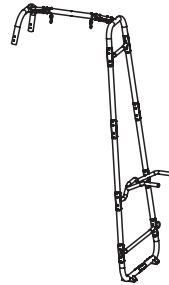
1X

2



1X

3



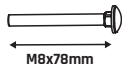
1X

4



61.85.10.60 4X

5



M8x78mm 8X

6



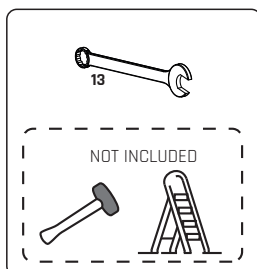
M8 8X

7

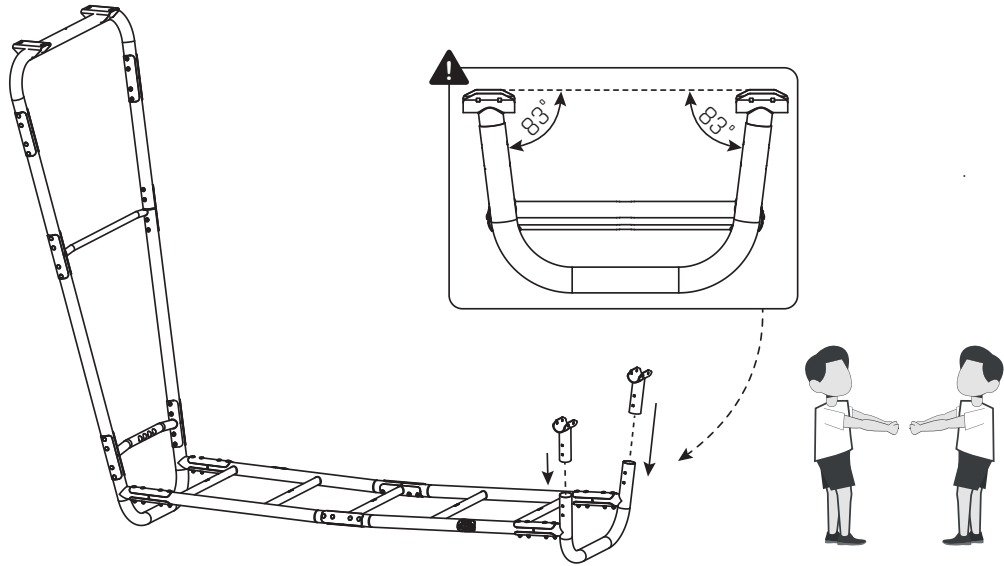
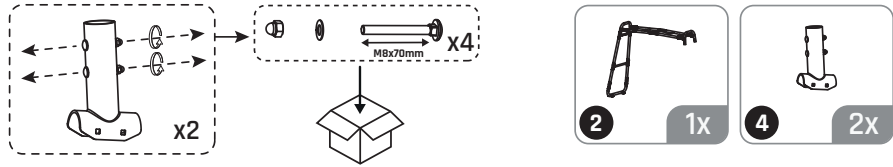


M8 8X

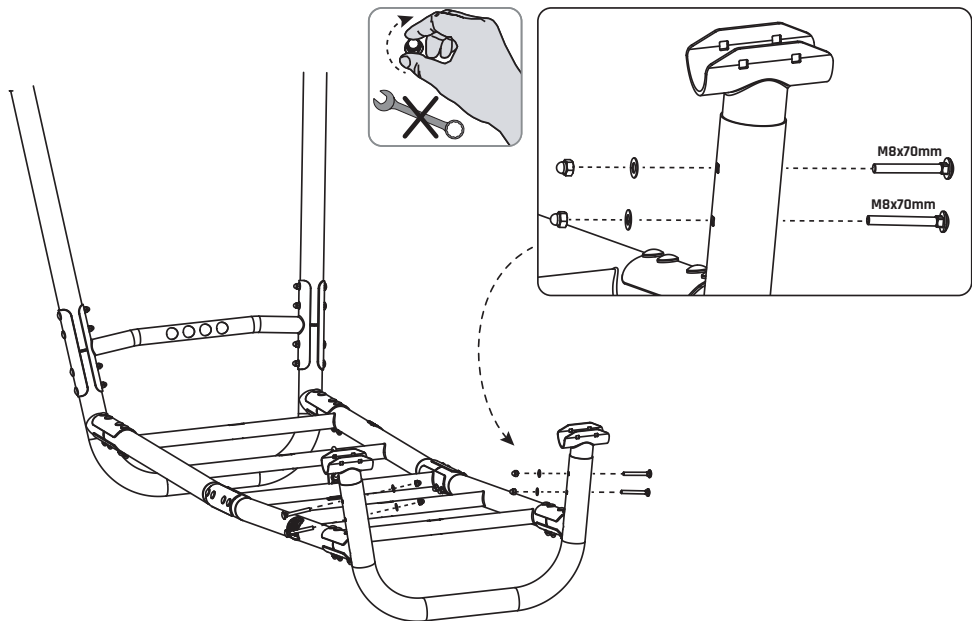
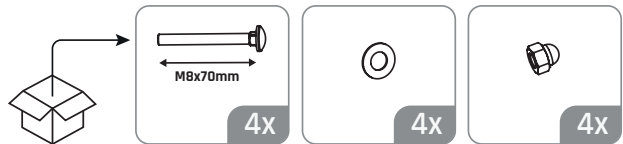
61.85.40.50 1X
61.85.40.10 1X



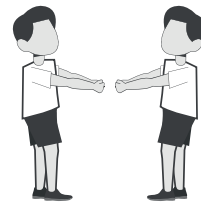
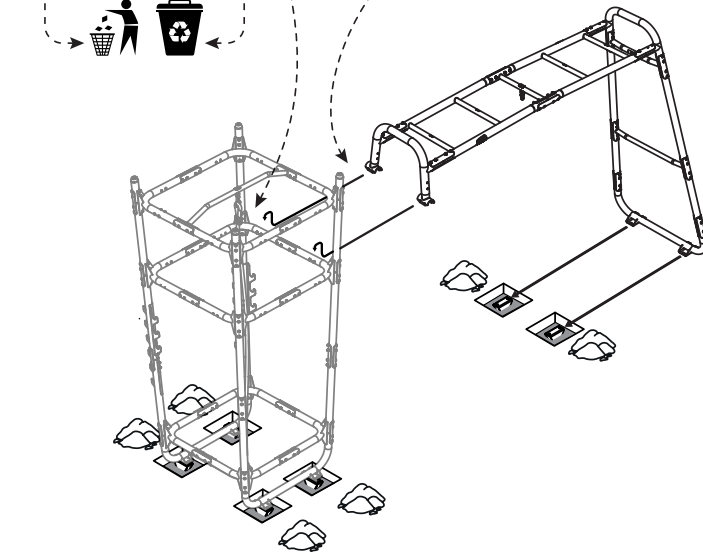
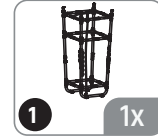
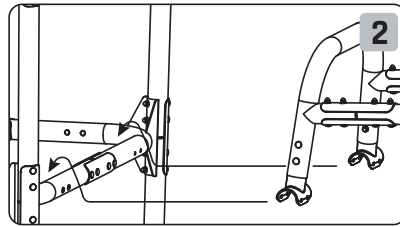
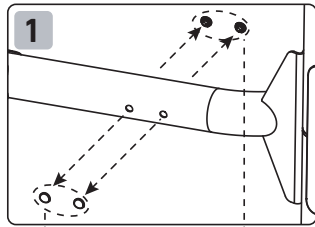
1



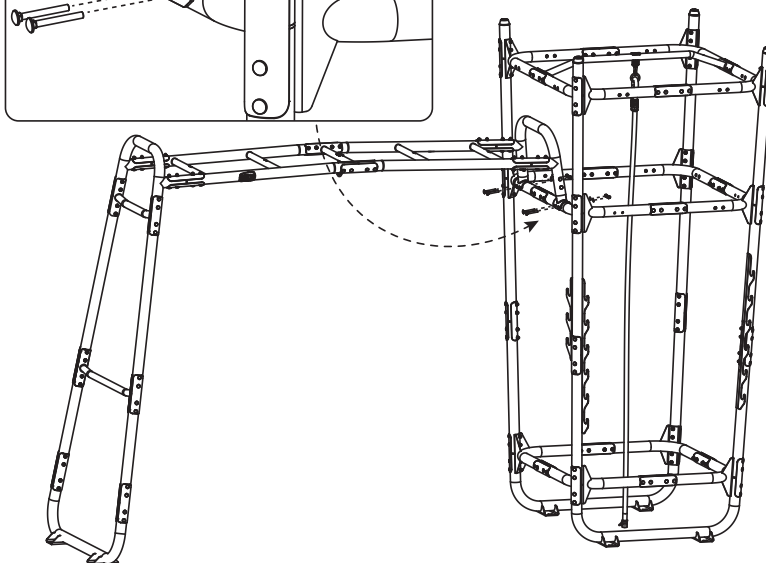
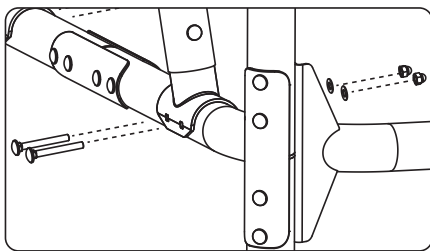
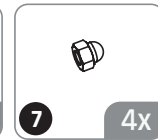
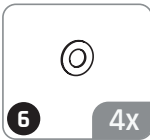
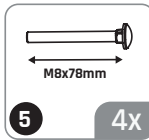
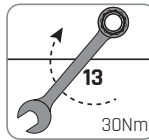
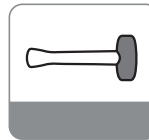
2



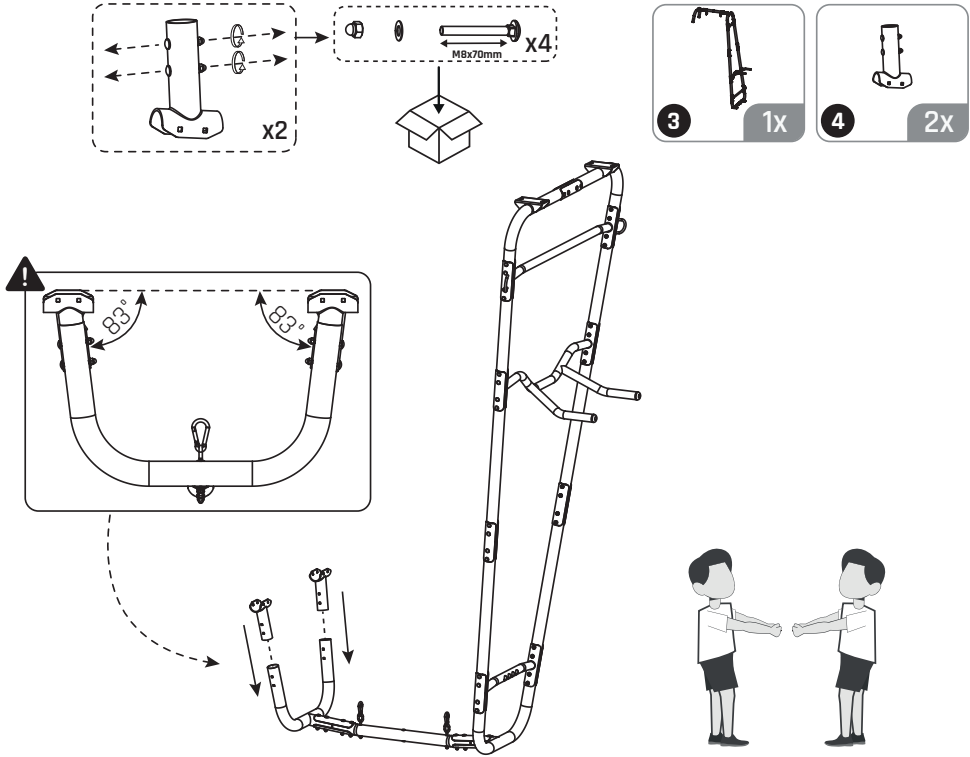
3



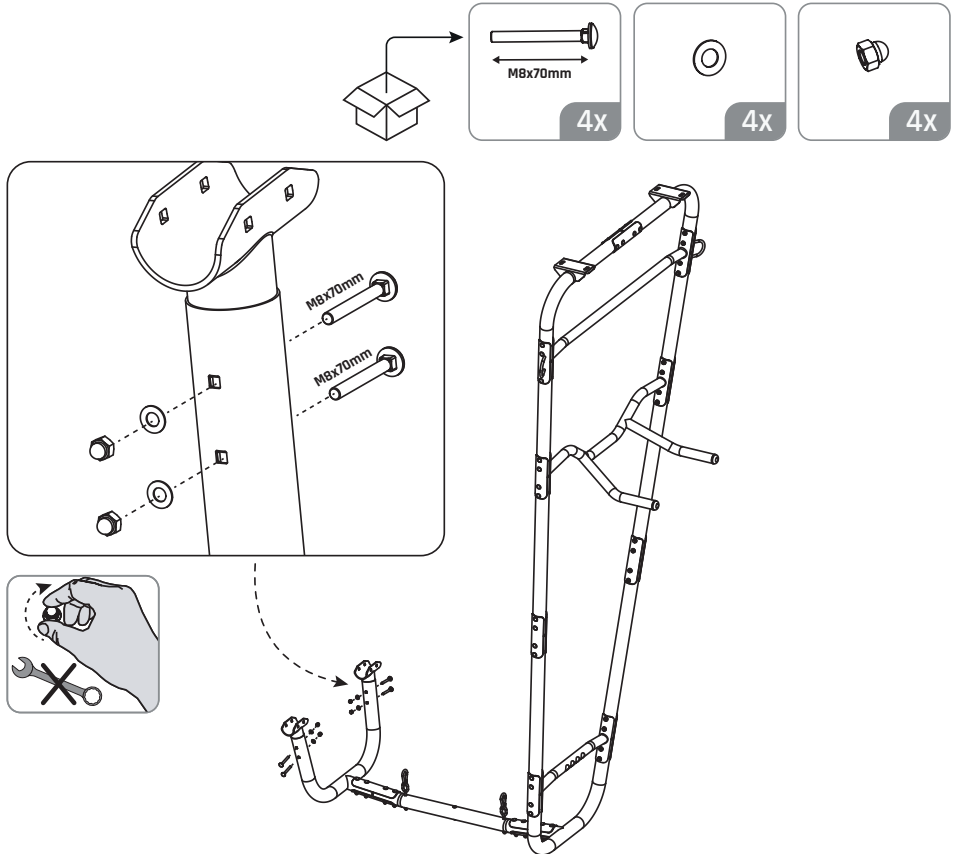
4



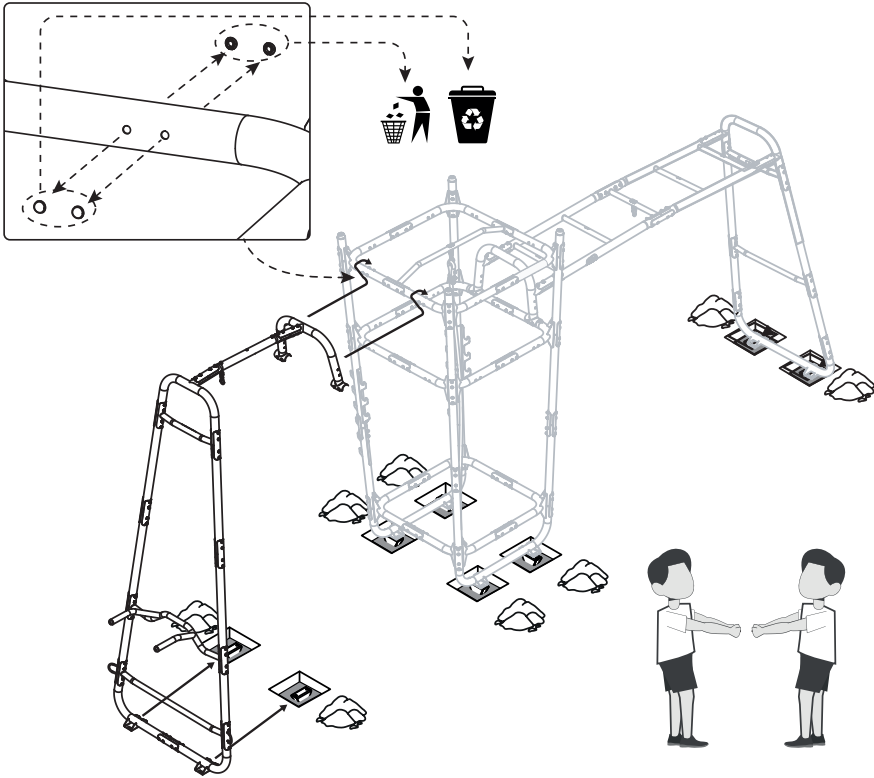
5



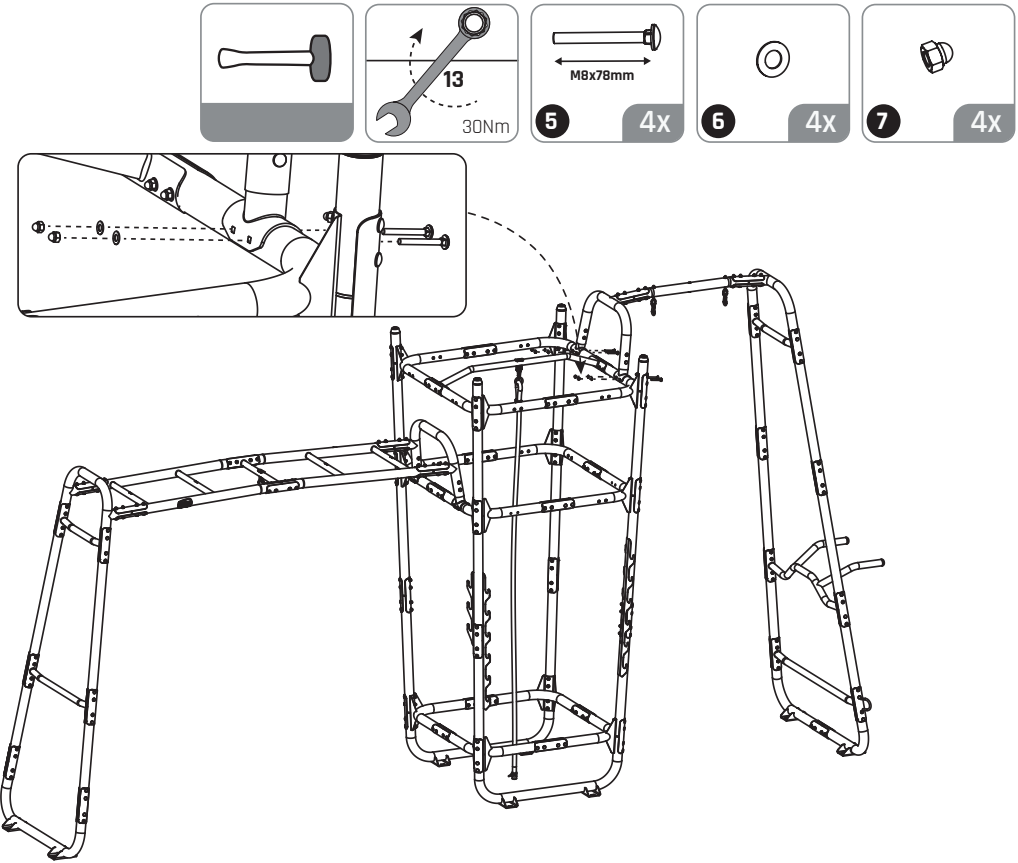
6



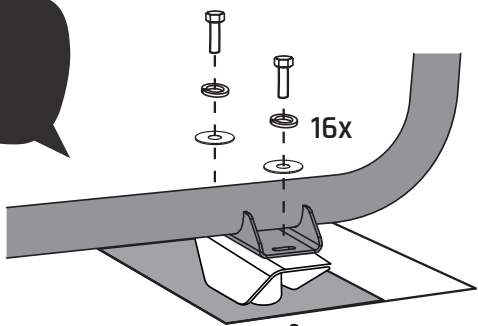
7



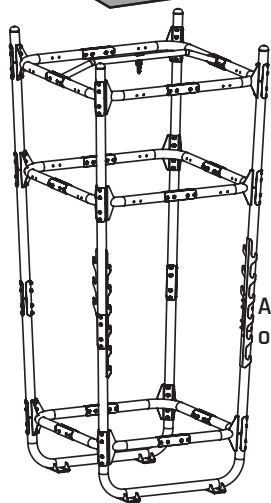
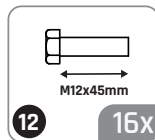
8



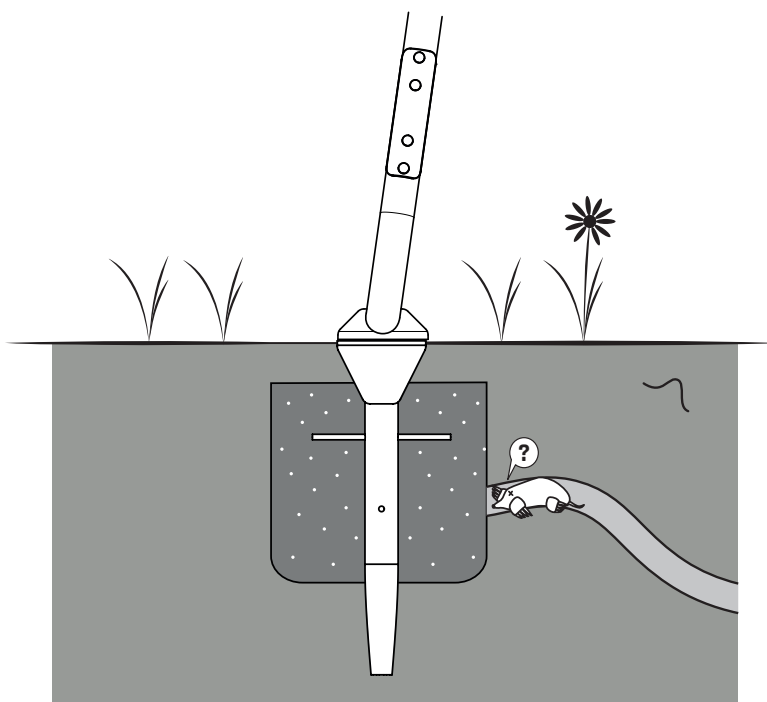
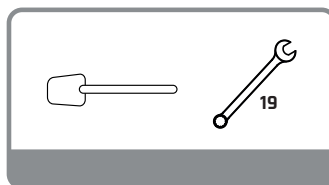
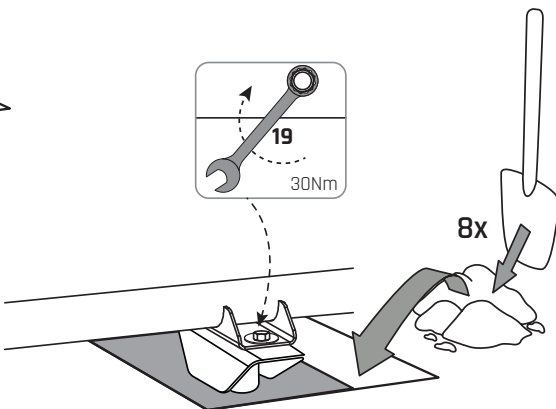
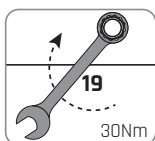
9

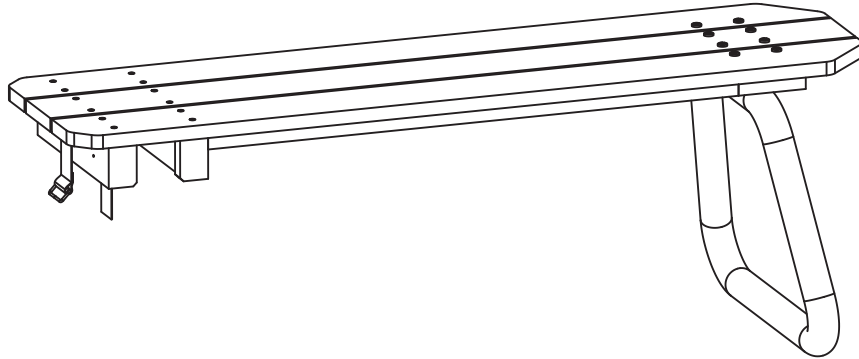


P2

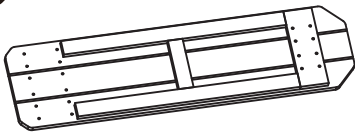


All screws on the Tower





1



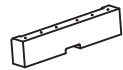
61.90.22.00	1X
-------------	----

2



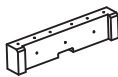
54.90.22.10	1X
-------------	----

3



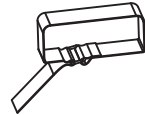
61.90.22.20	1X
-------------	----

4



61.90.22.10	1X
-------------	----

5



1X

6



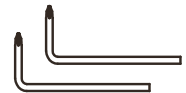
ST4x45mm	12X
----------	-----

7



M6x15mm	8X
M6x35mm	8X

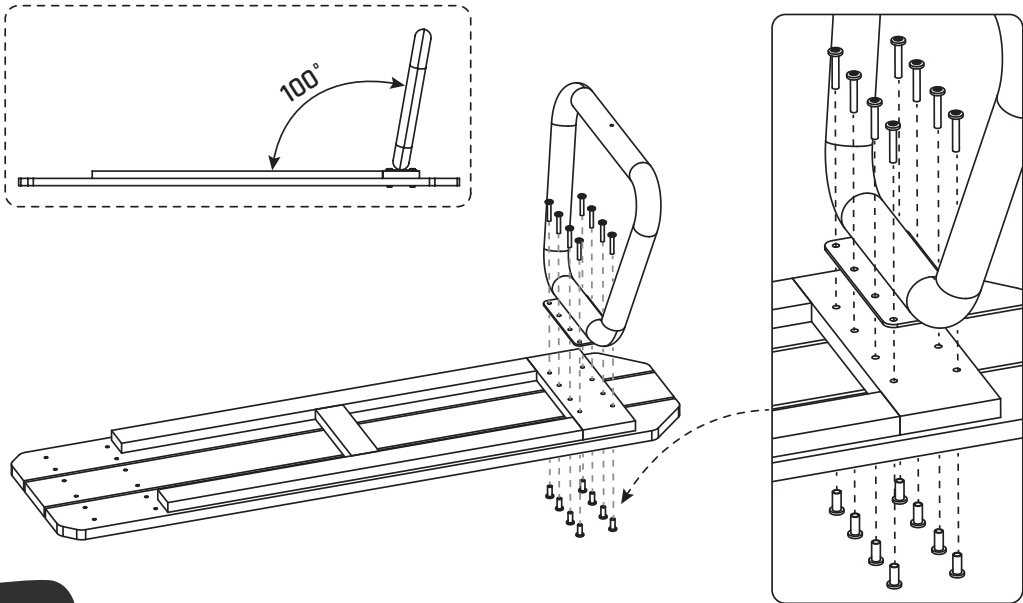
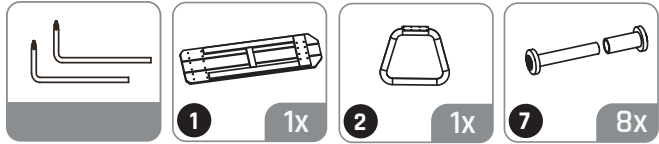
8



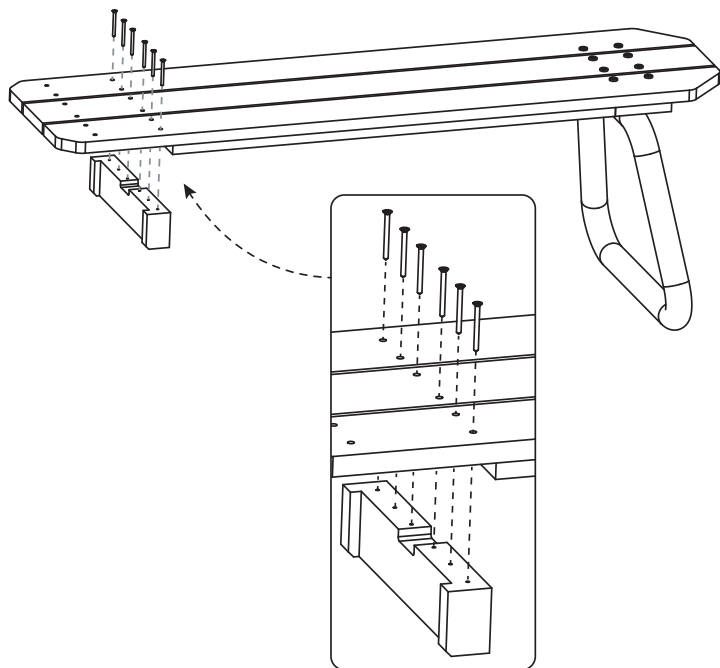
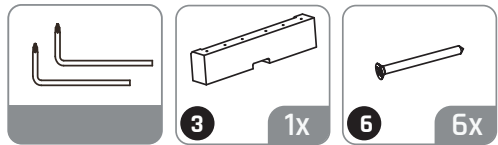
M6	2X
----	----

61.90.22.40	1X
-------------	----

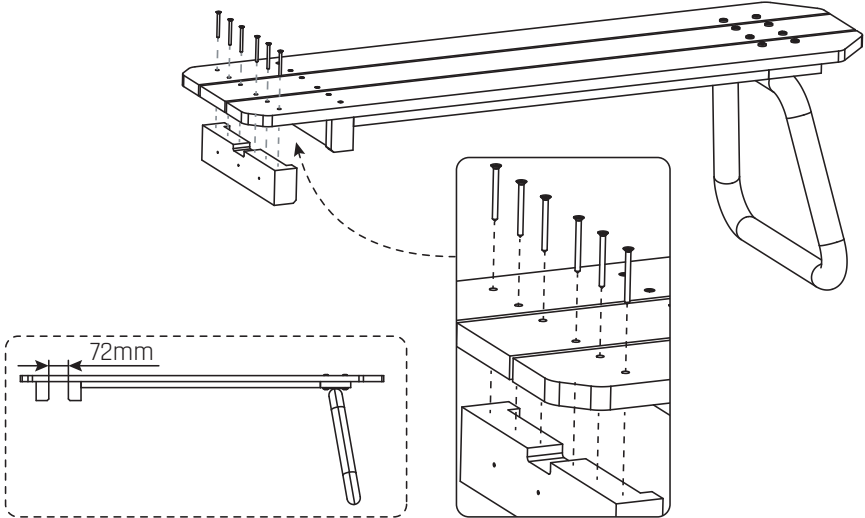
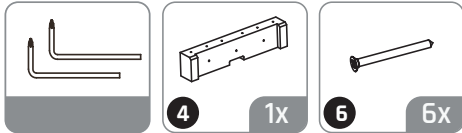
1



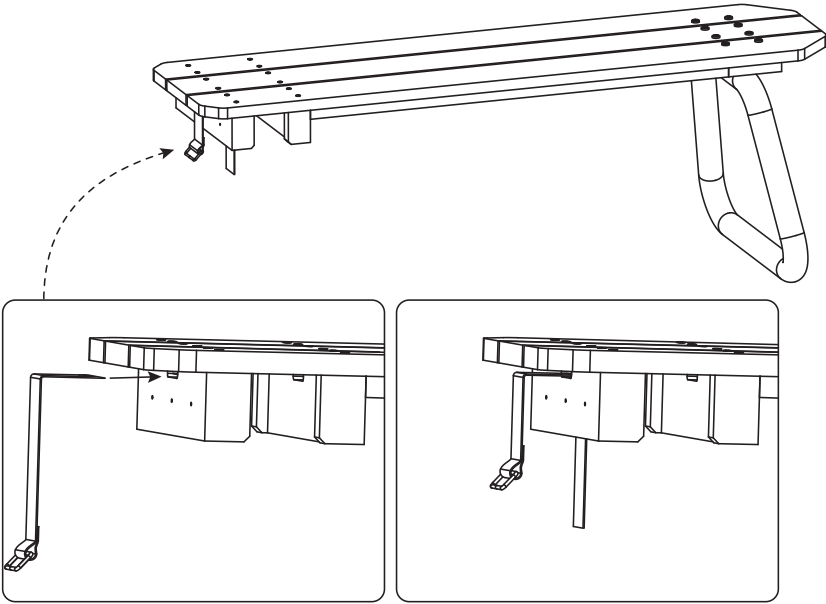
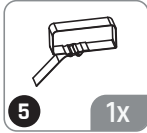
2



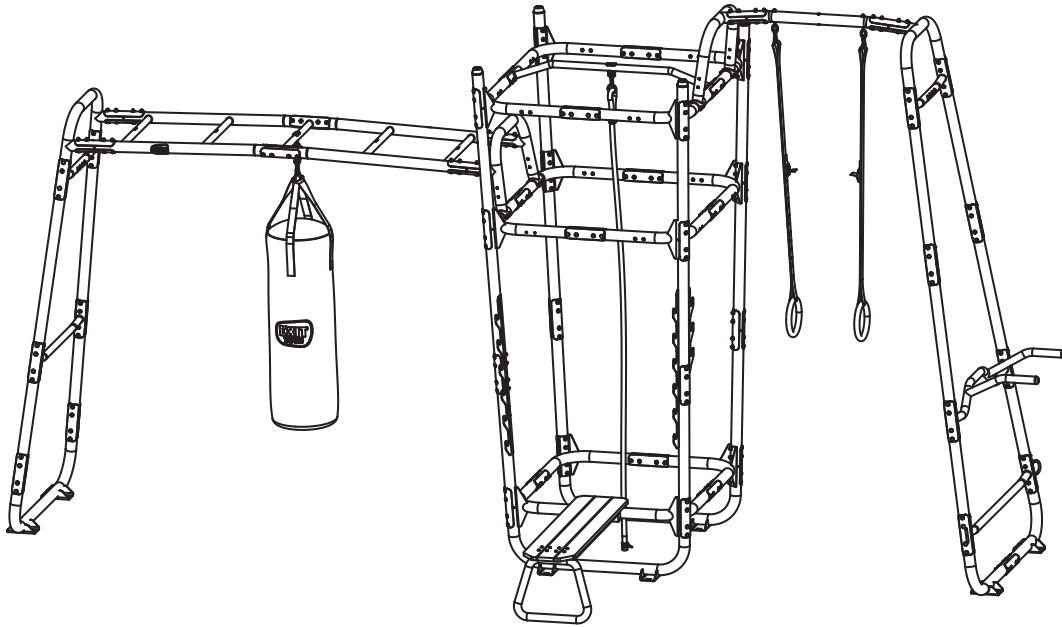
3



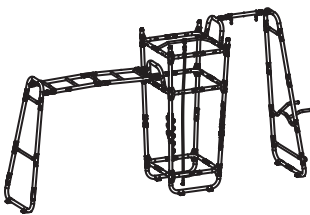
4







1



1X

2



1X

3



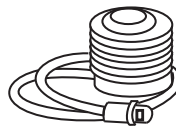
54.90.43.00 1X

4



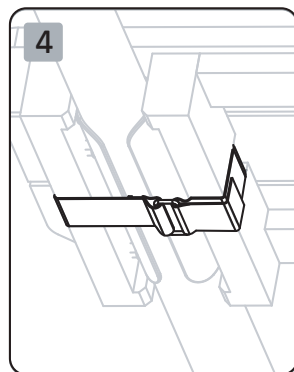
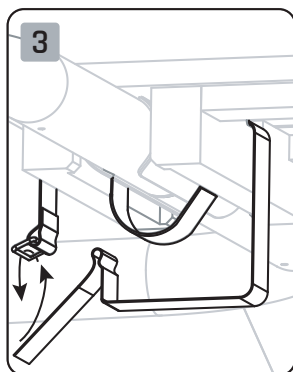
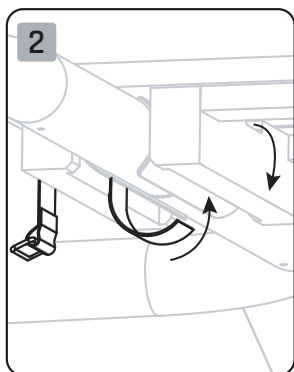
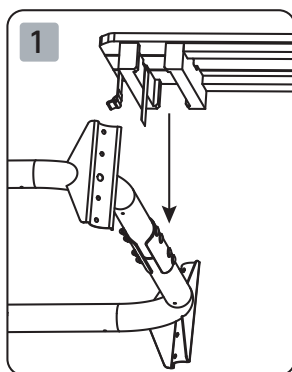
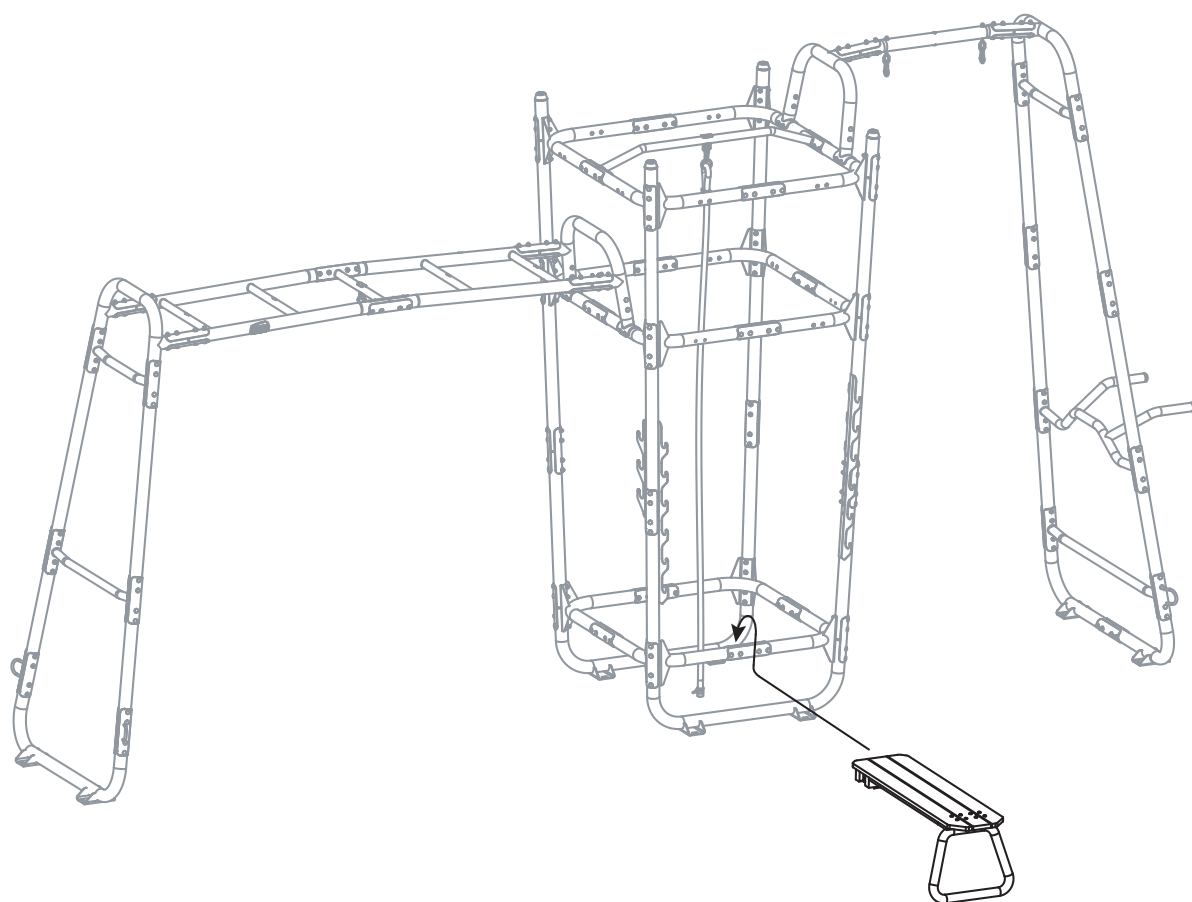
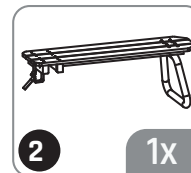
54.90.30.00 1X

5

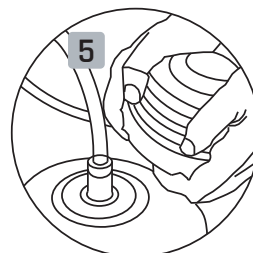
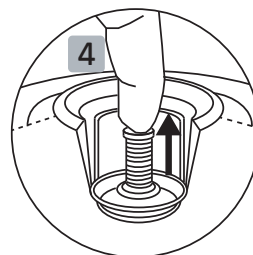
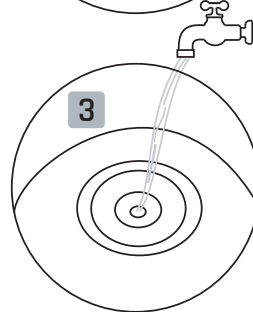
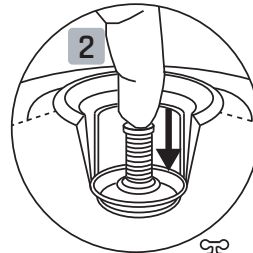
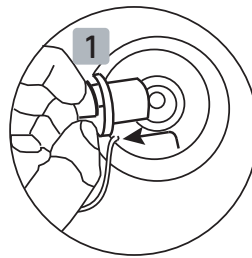
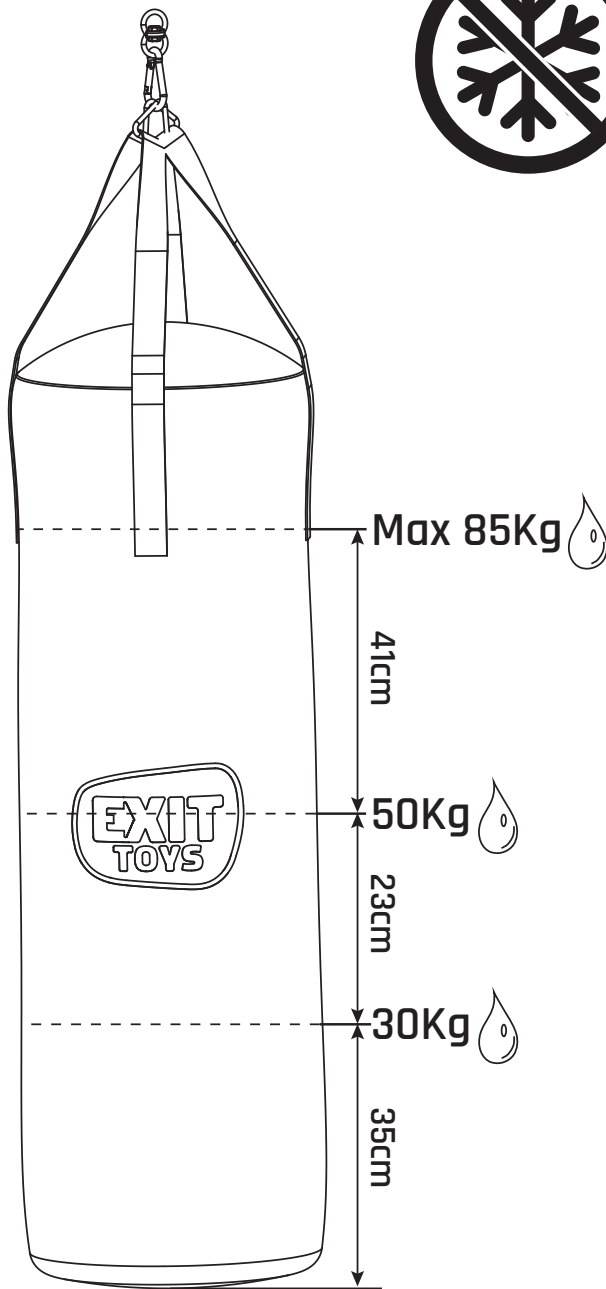
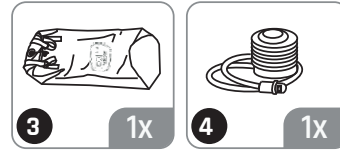


1X

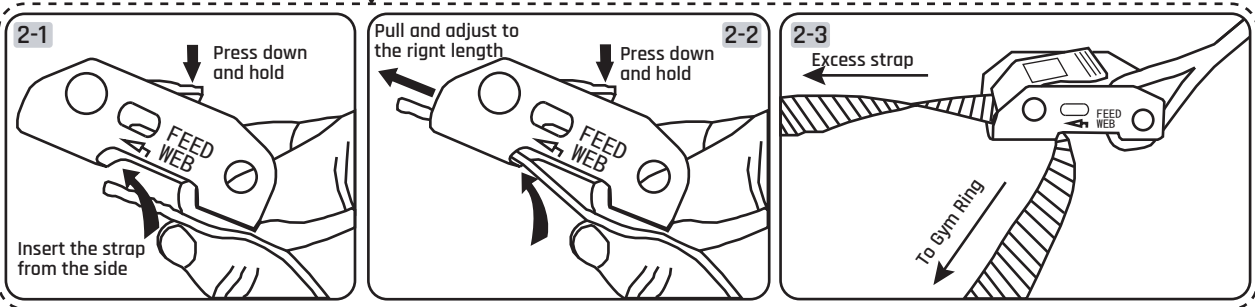
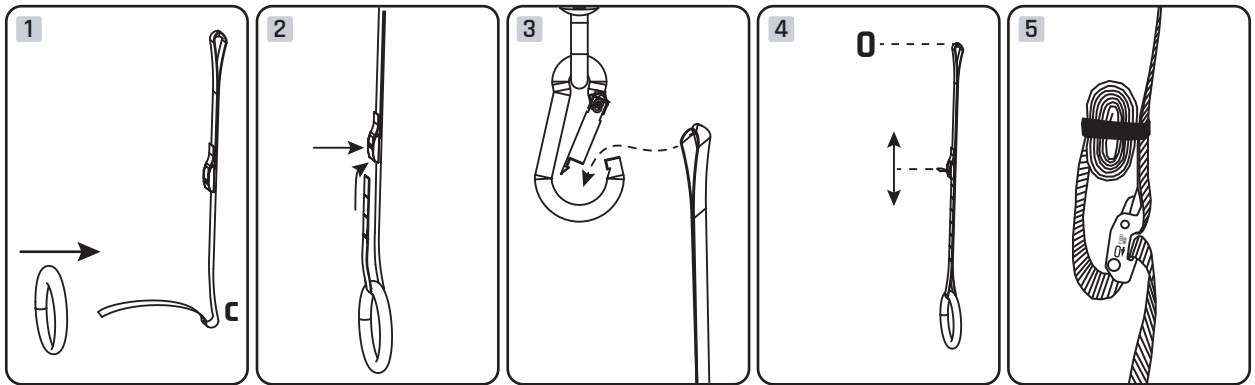
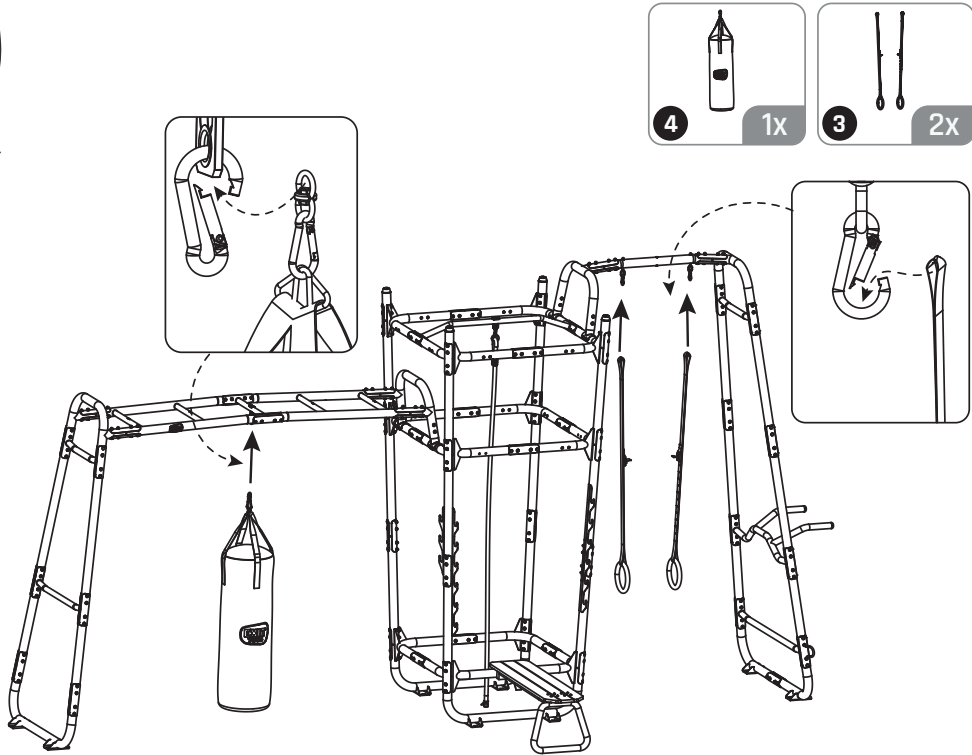
1

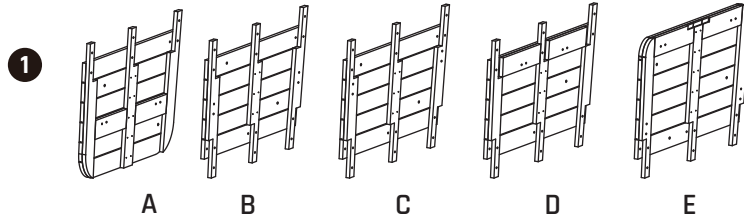
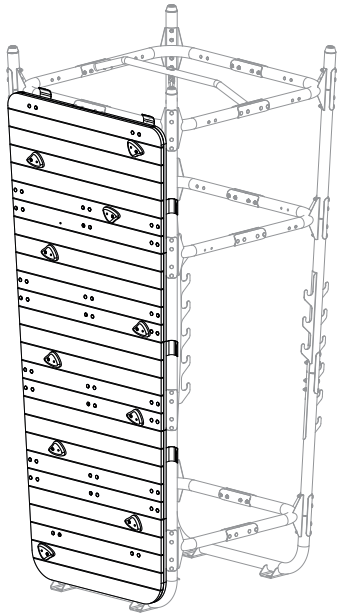


2



3





61.90.21.00 1X | 61.90.21.10 1X | 61.90.21.20 1X | 61.90.21.30 1X | 61.90.21.40 1X

2

M8x45mm

M8x45mm 48X

3

M8 72X

4

x12

54.90.21.10 1X

5

M8x50mm

M8x50mm 24X

6

M10x35mm 10X

7

61.90.46.00 10X

8

M8 96X

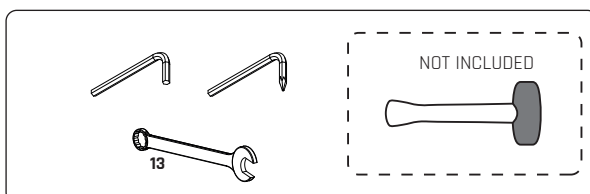
9

st3.5x25 10X

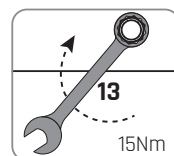
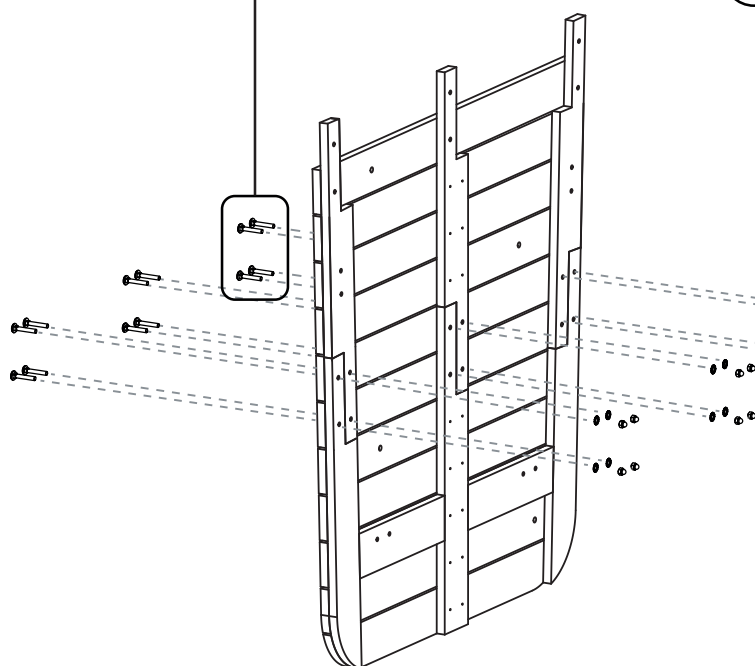
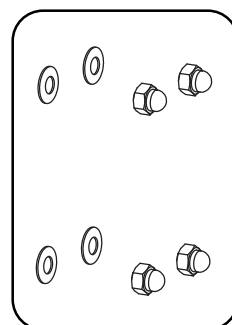
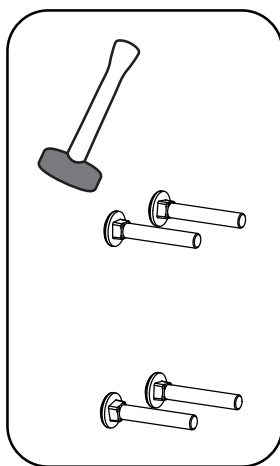
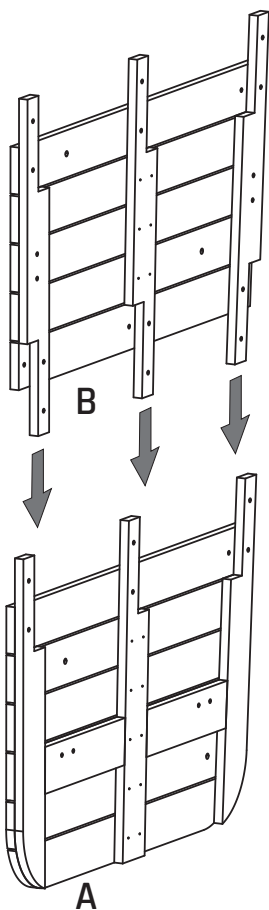
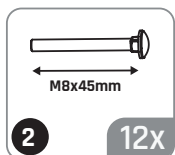
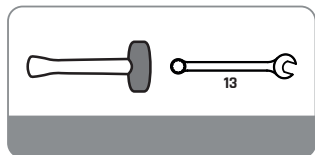
10

M10 10X

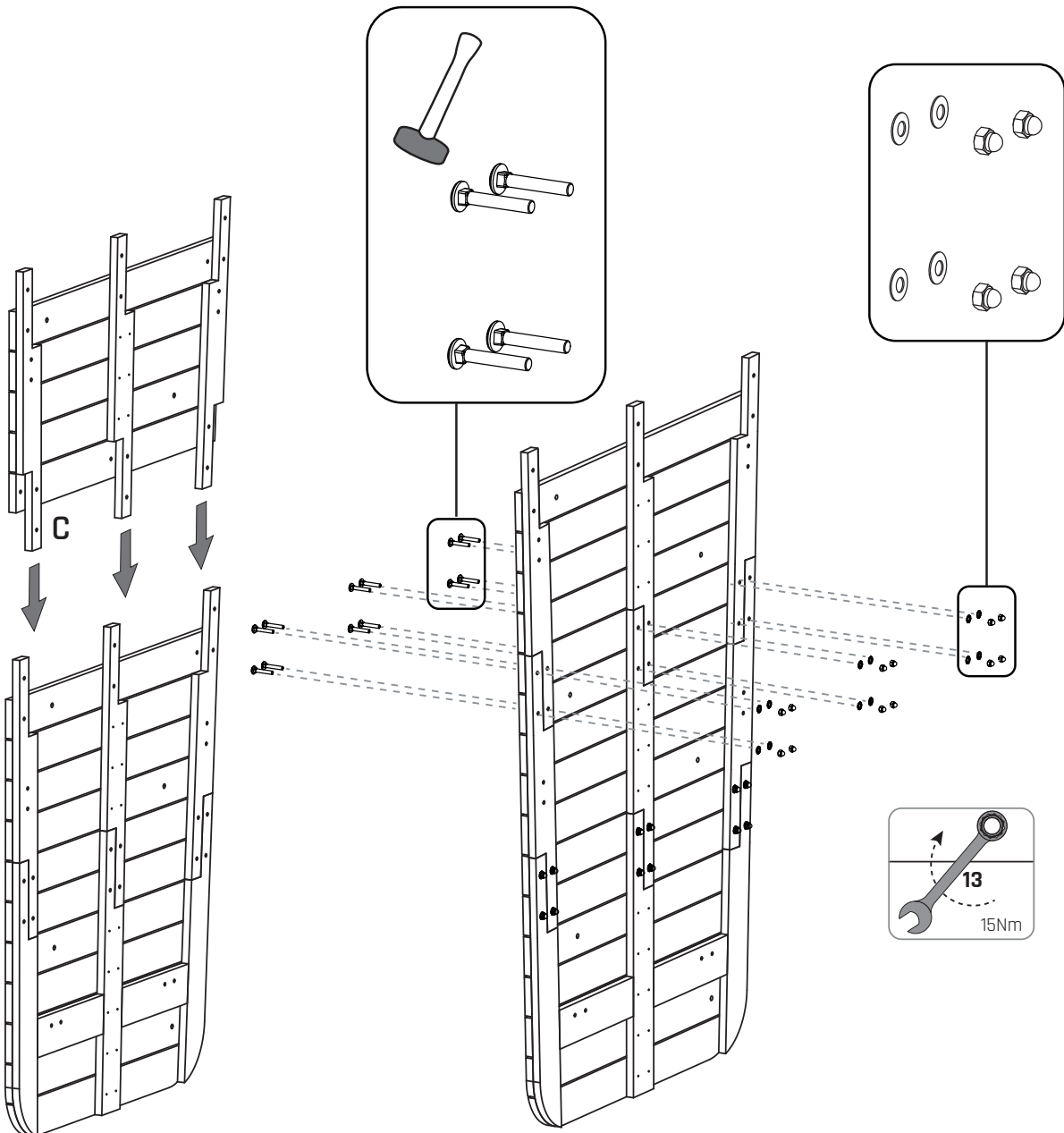
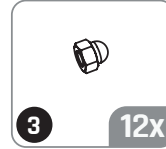
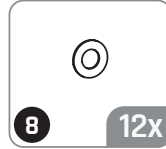
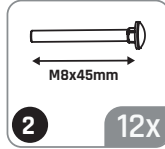
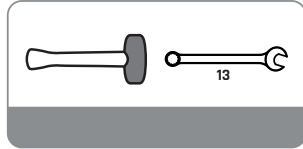
61.90.21.50 1X | 61.90.46.10 1X



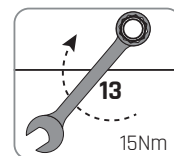
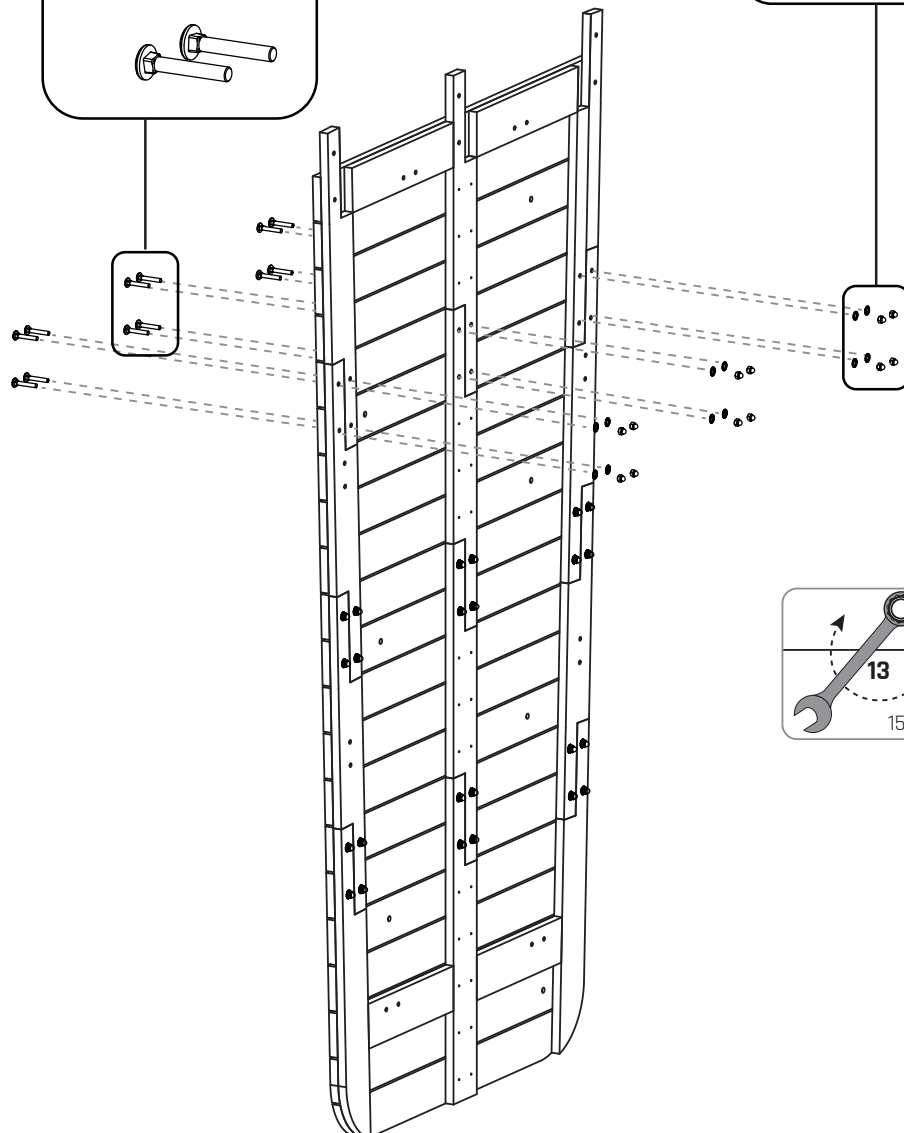
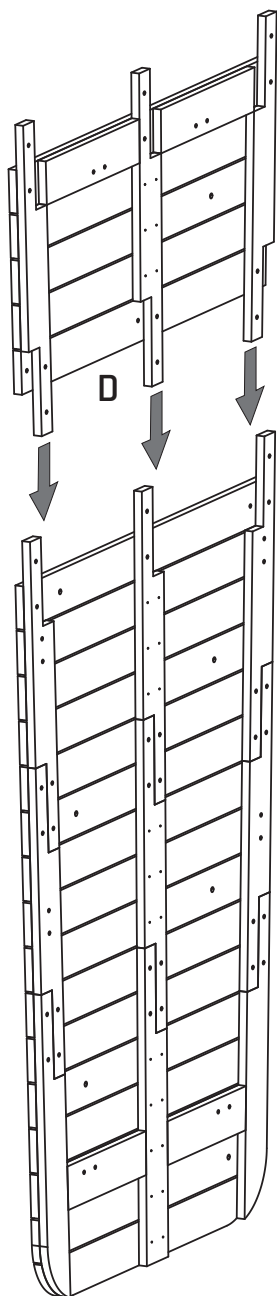
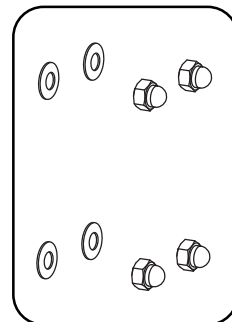
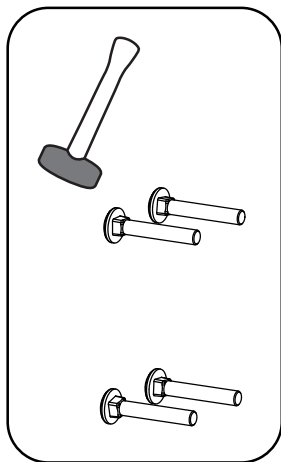
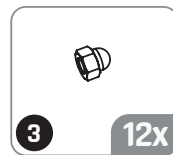
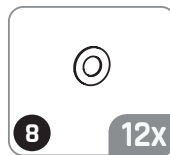
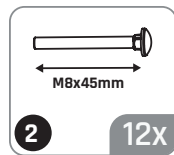
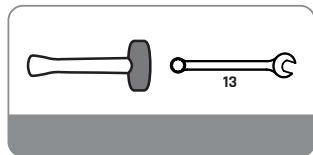
1



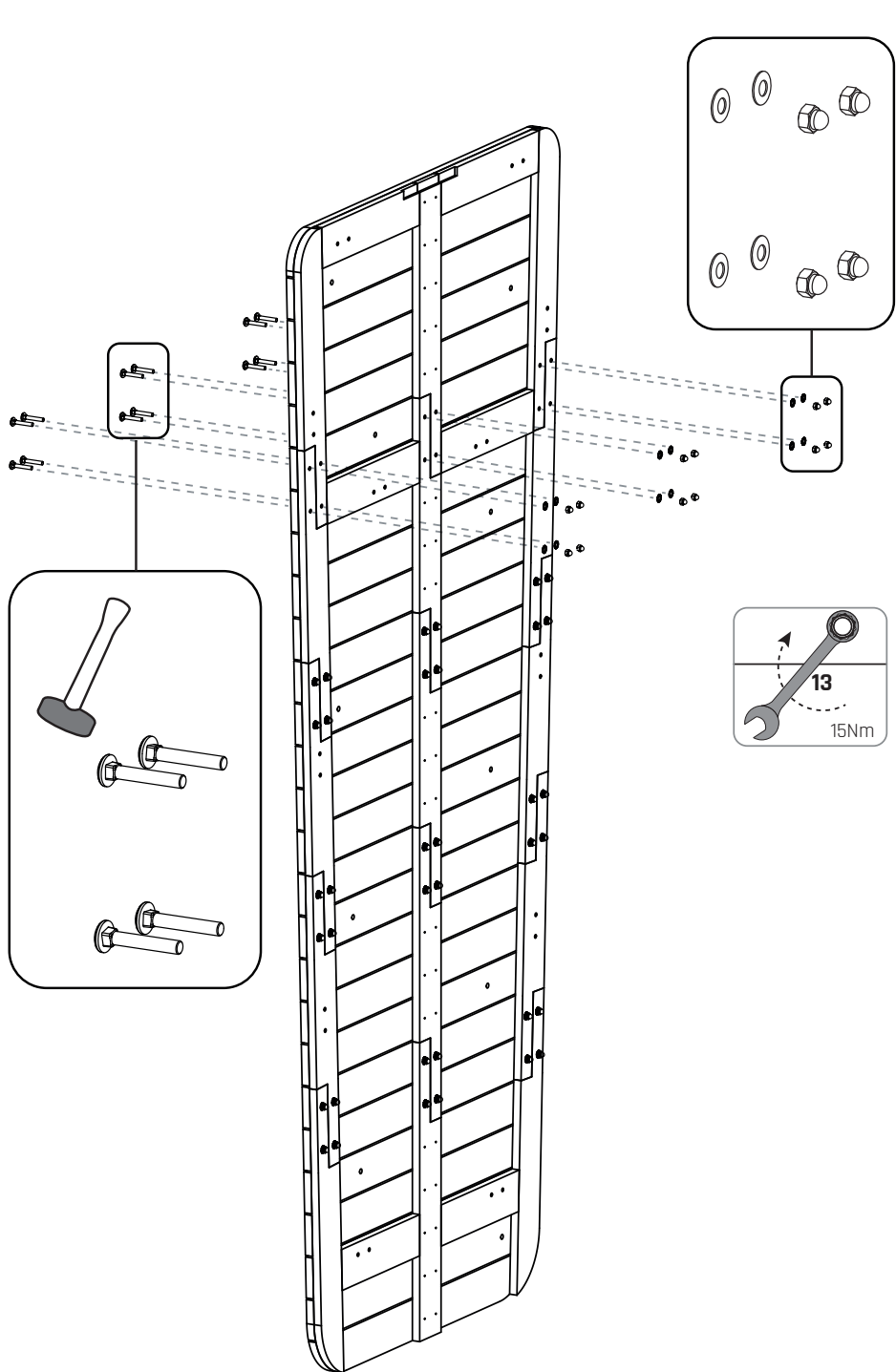
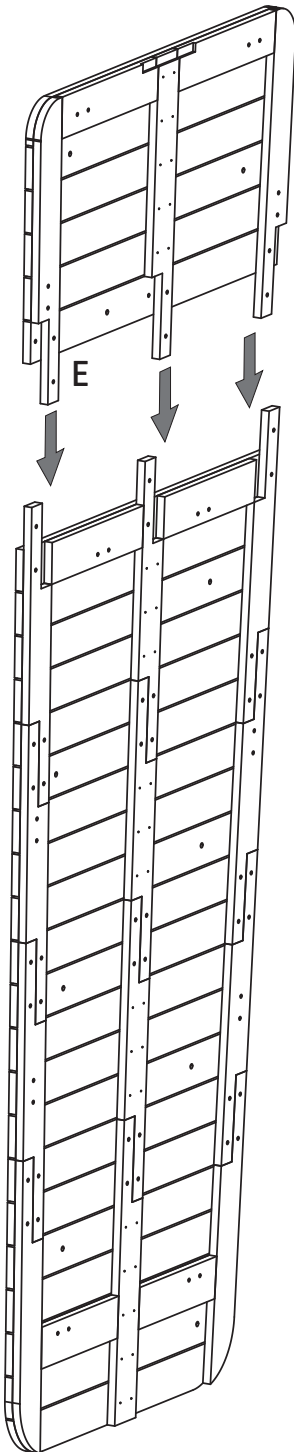
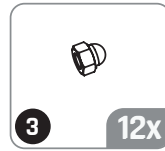
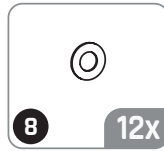
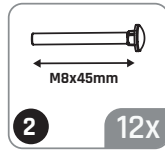
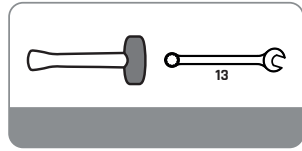
2



3

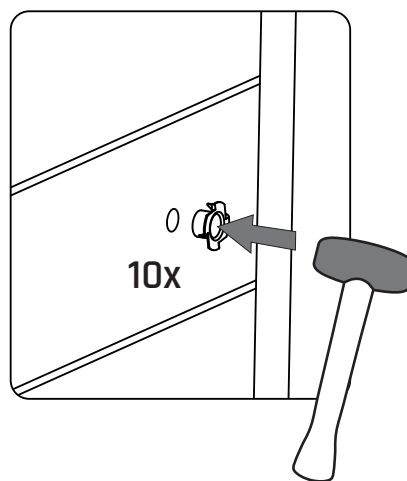
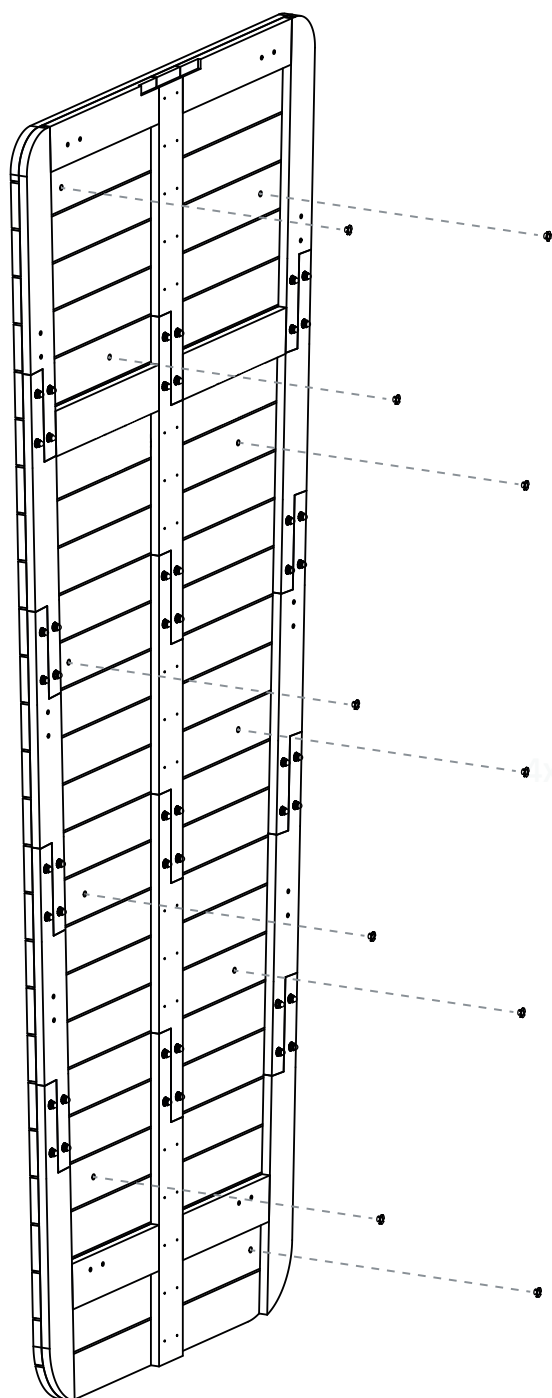
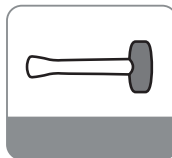


4

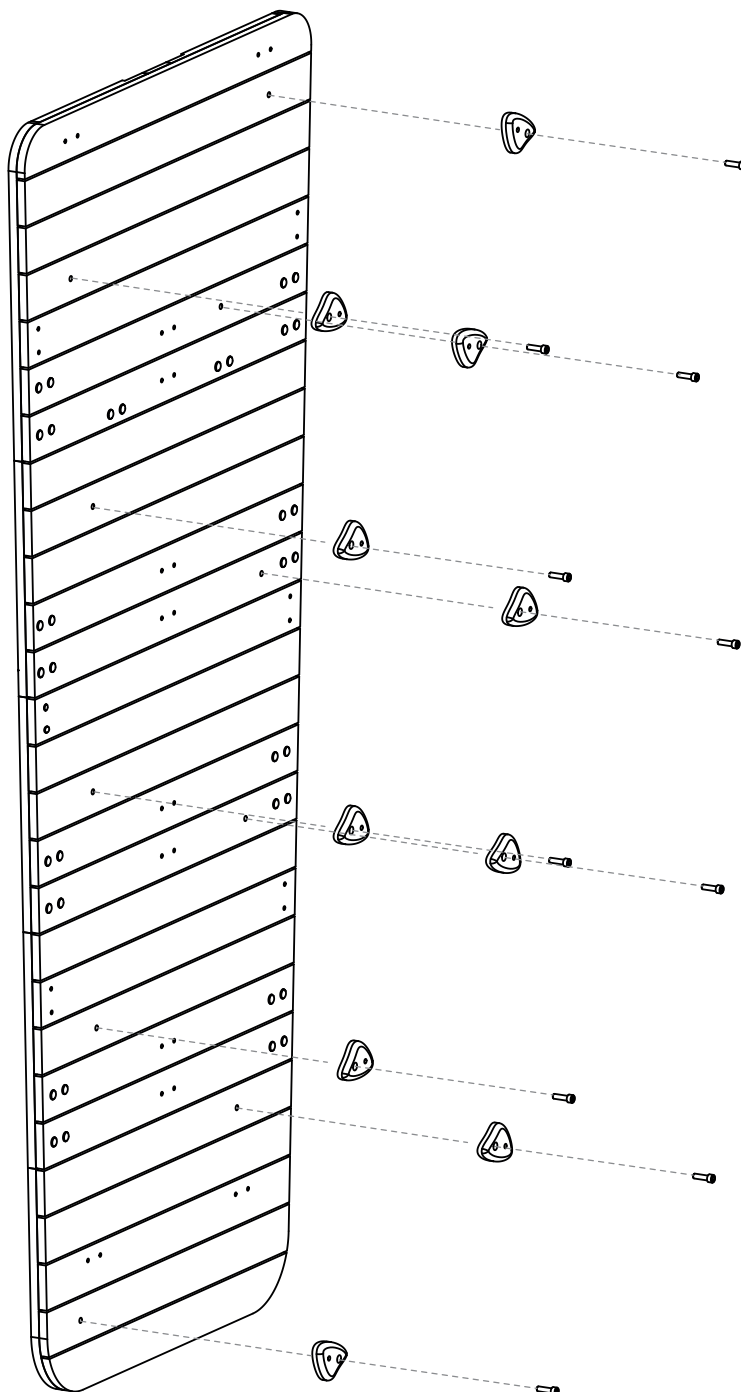
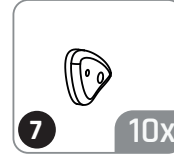
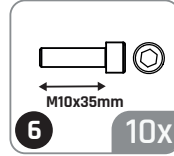
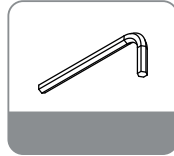


5

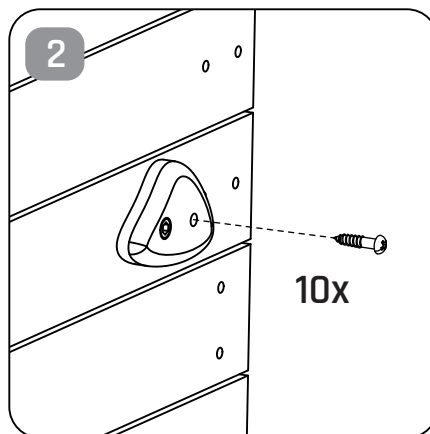
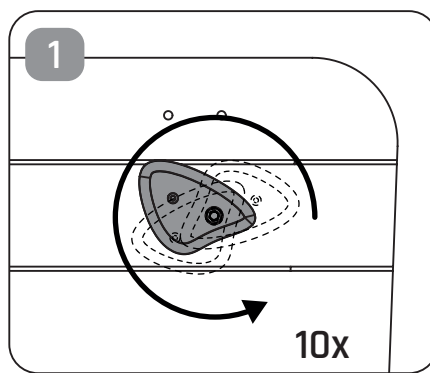
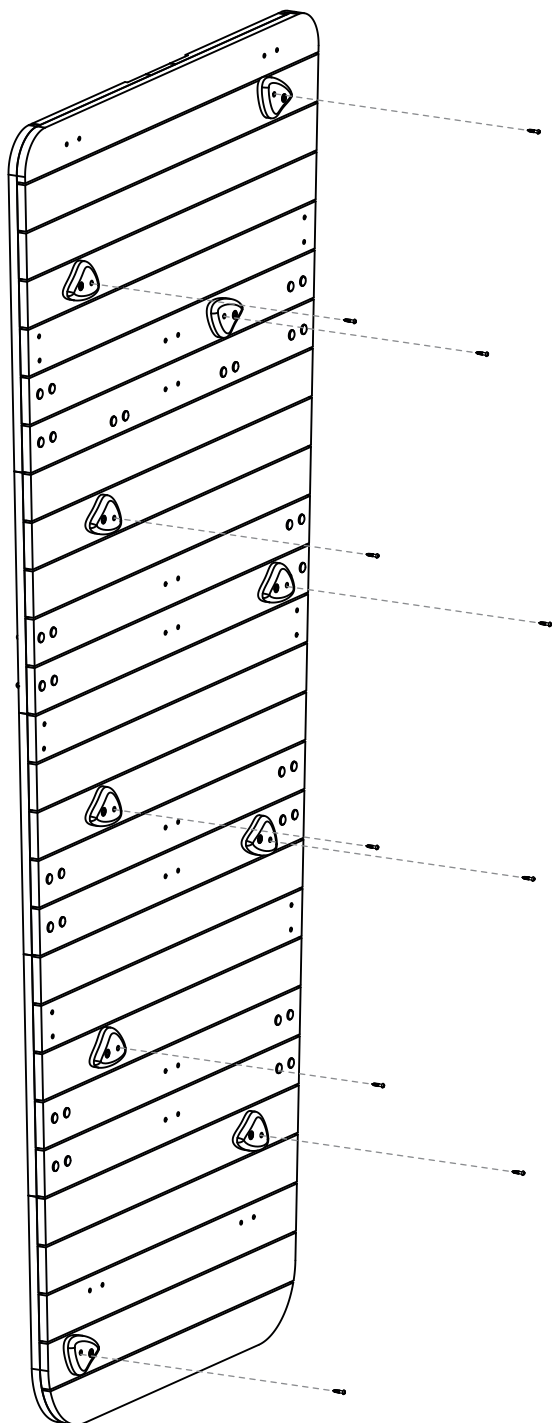
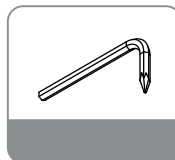
4x



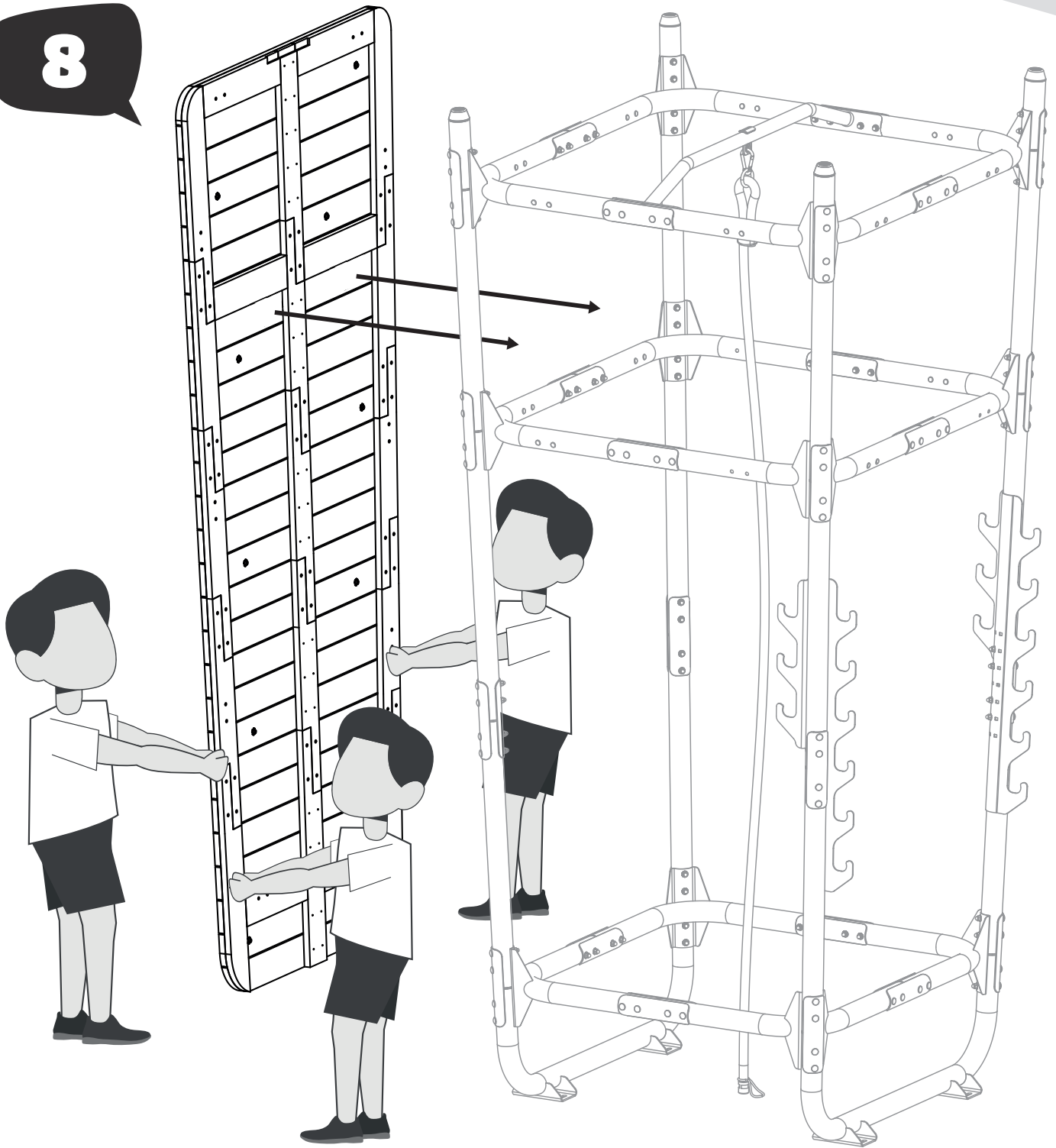
6



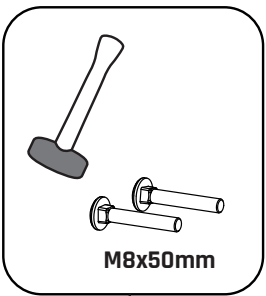
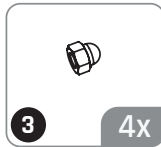
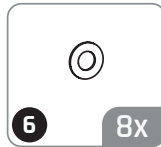
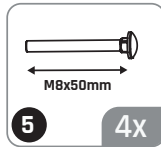
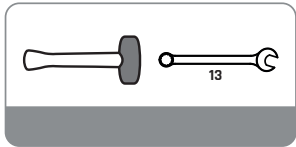
7



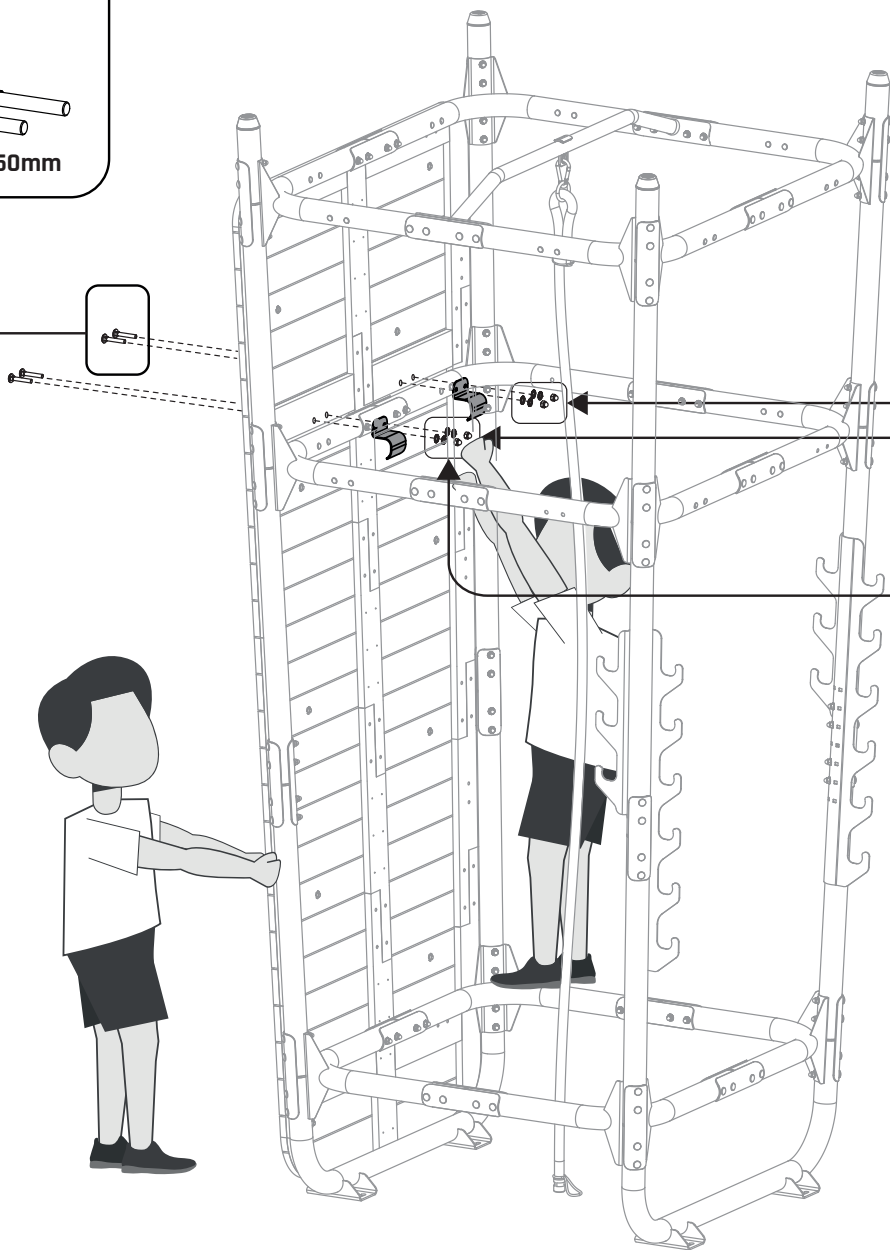
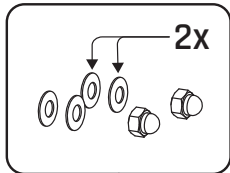
8



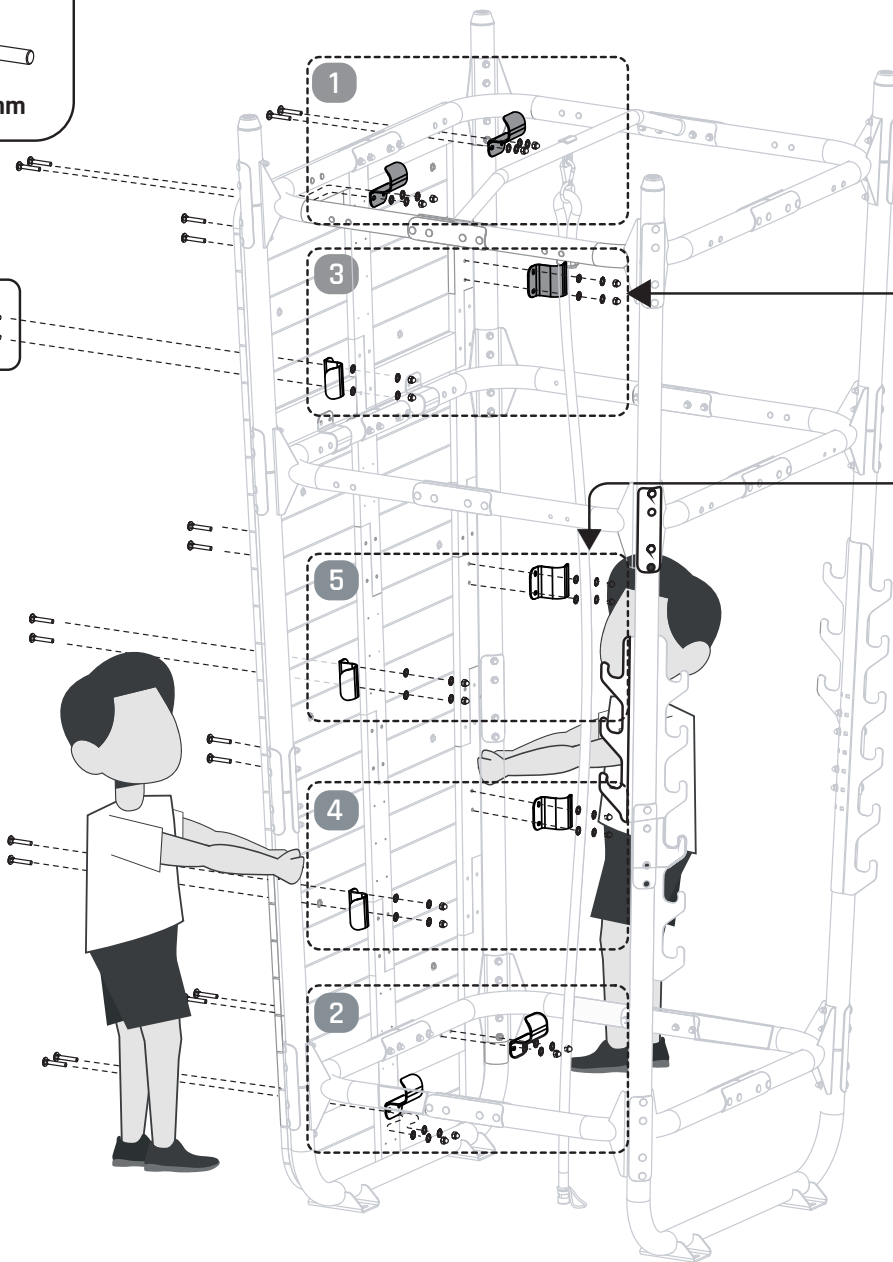
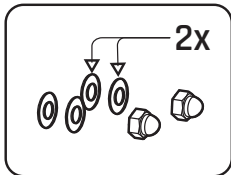
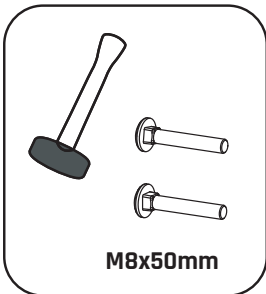
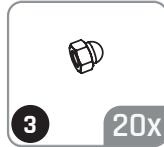
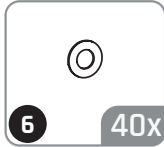
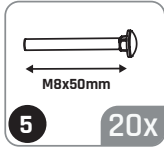
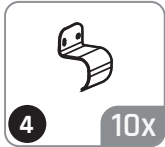
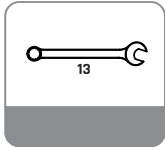
9



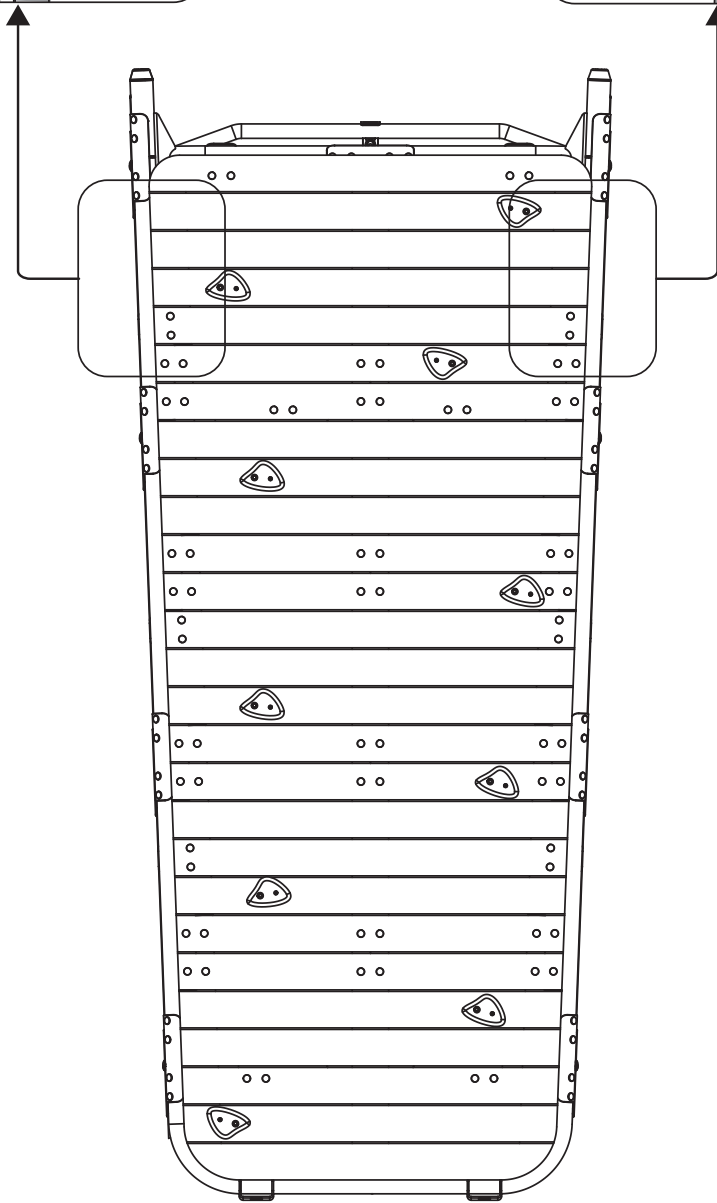
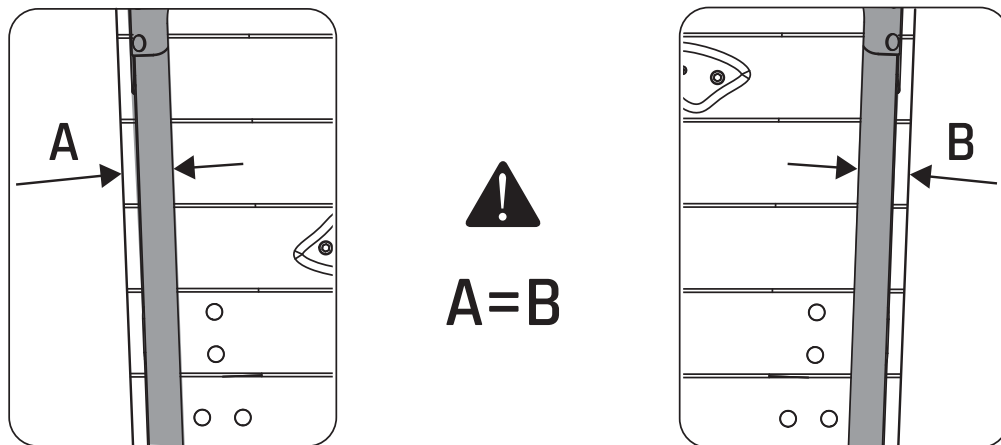
M8x50mm



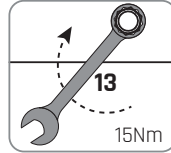
10



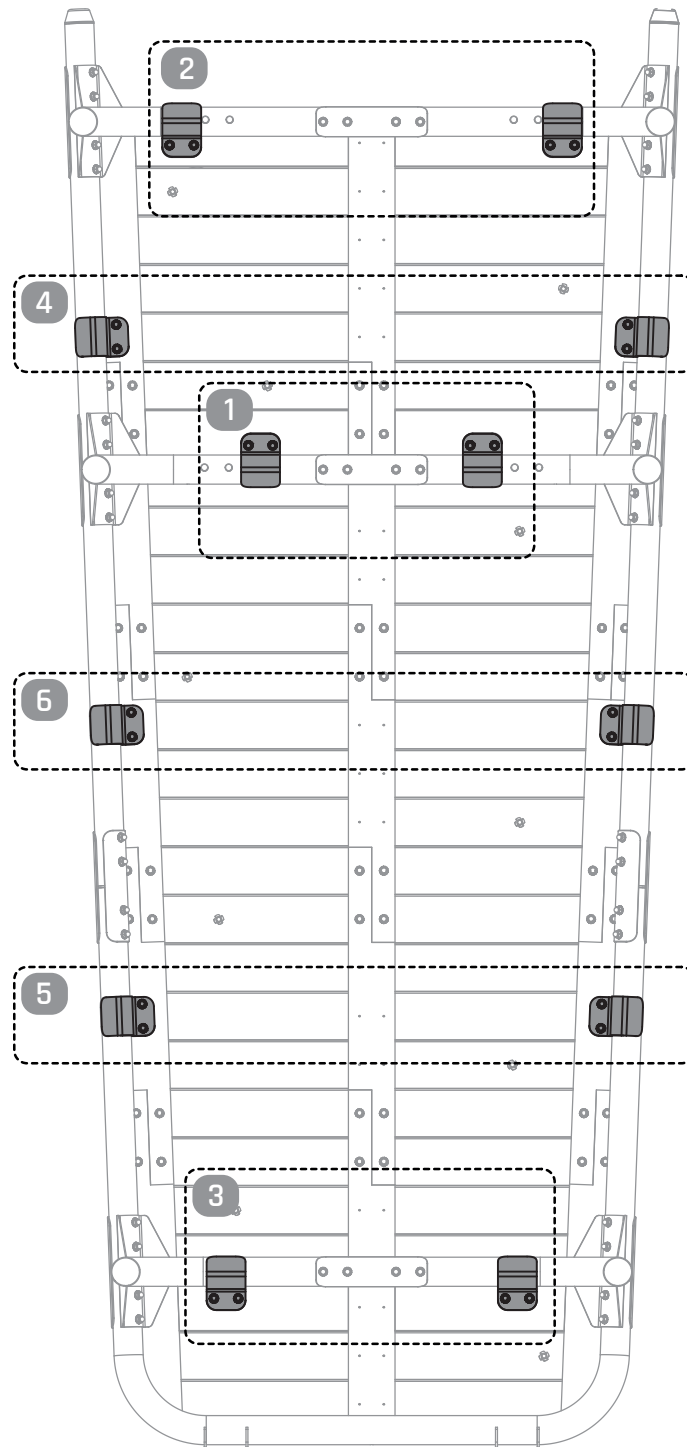
11

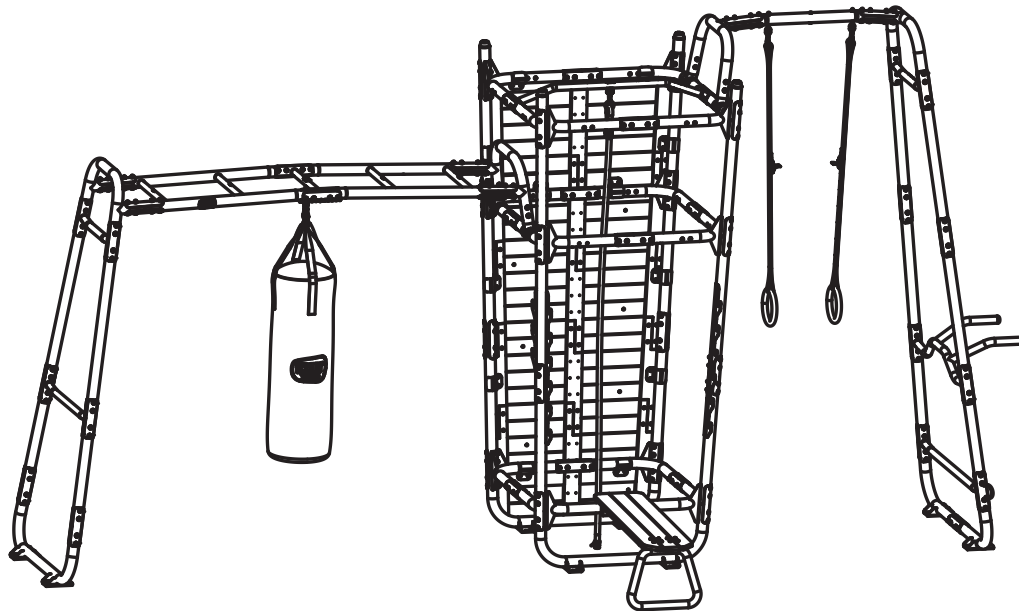


12



24x







www.exittoys.com



Contact Information:

Dutch Toys Group B.V.
Edisonstraat 83
7006 RB Doetinchem, The Netherlands

info@exittoys.com
www.exittoys.com

EXIT Toys is part of:

SIMBA · DICKIE · GROUP

EXIT Toys is a registered trade mark of Dutch Toys Group